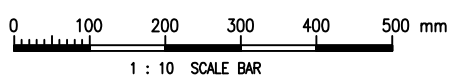


30 THK. BORDER

Ø12 HOLE FOR M10 BOLT

3 THK. ALUMINIUM PLATE

DISPLAY BOARD

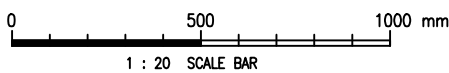
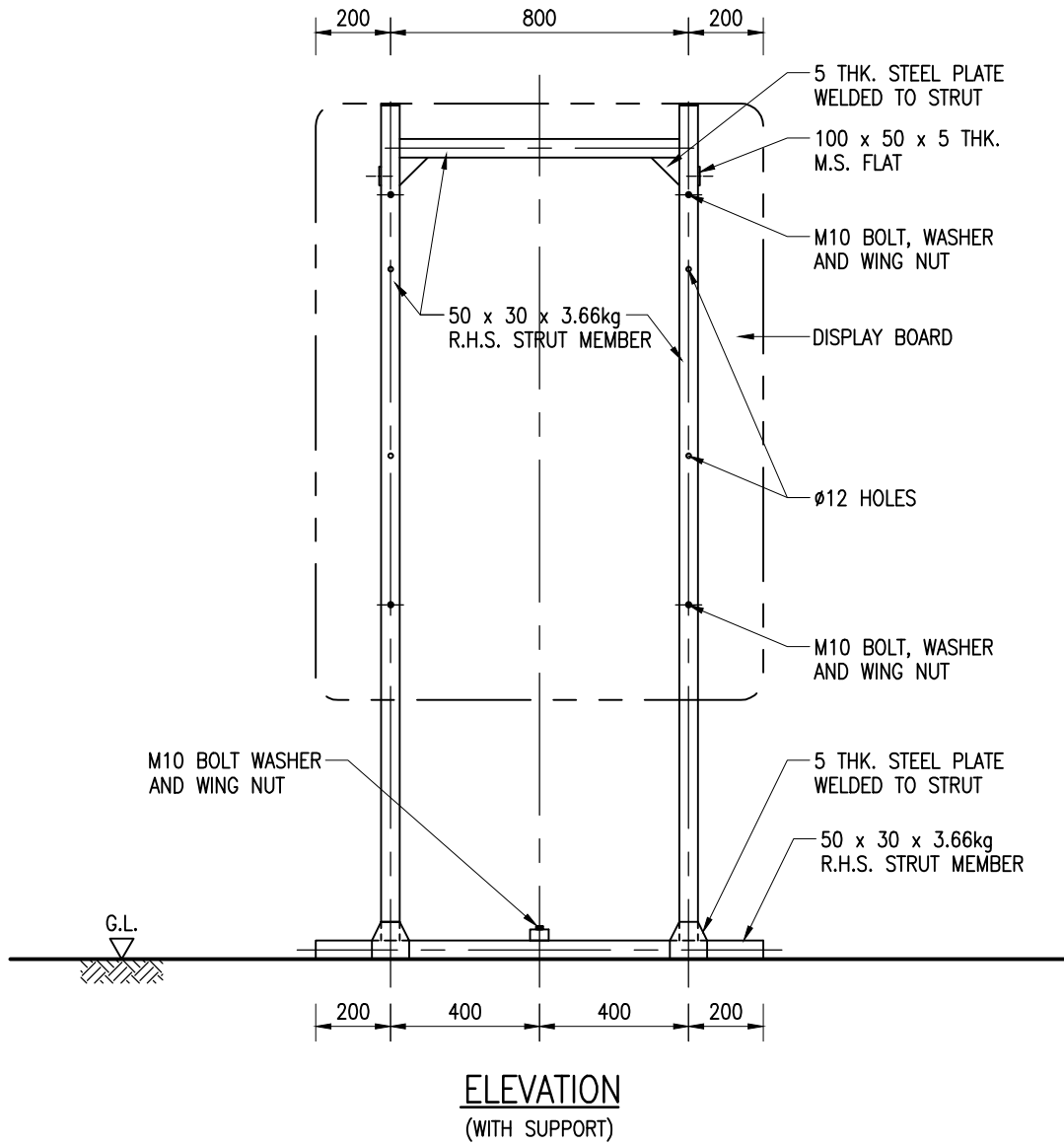


Cad Ref. : WSD075701-A.dwg

A	REFLECTIVE VEST STYLE CHANGED	S.K. YEUNG	10/11/15
REF.	REVISION	APPROVED	DATE

DISPLAY BOARD FOR NOTIFYING MOTORISTS OF UNDERGROUND WORKS IN PROGRESS

水務署 Water Supplies Department		DRAWING NO.	CSWP
		W.L. LEUNG AD/NW	
APPROVED	17/4/14	(SHEET 1 OF 4)	
DATE	1 : 10		
SCALE			



Cad Ref. : WSD075702-A.dwg

DISPLAY BOARD FOR NOTIFYING
MOTORISTS OF UNDERGROUND
WORKS IN PROGRESS



水務署
Water Supplies Department

APPROVED

W.L. LEUNG
AD/NW

DATE

17/4/14

SCALE

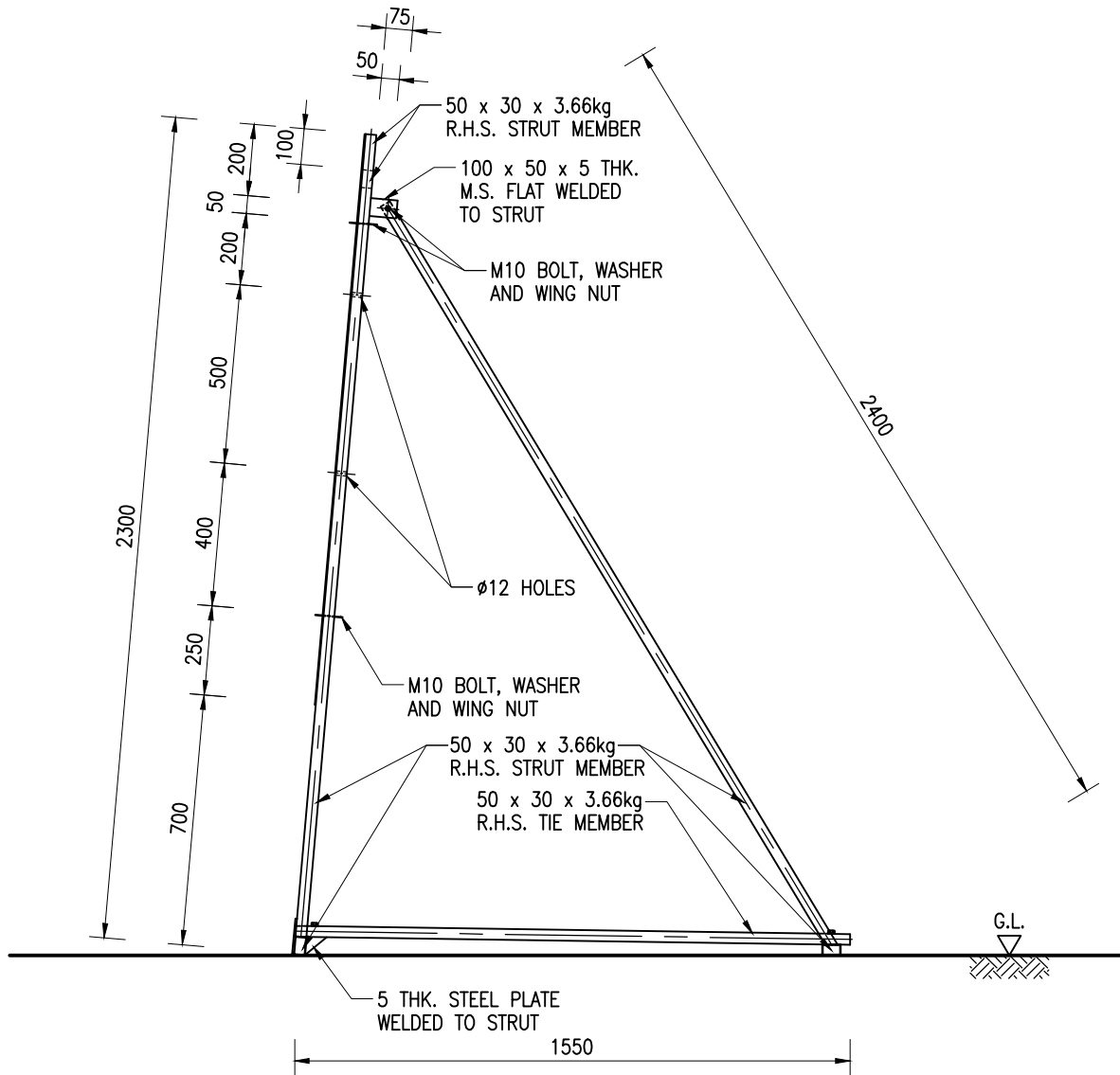
1 : 20

DRAWING NO.

WSD 7.57A

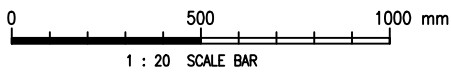
(SHEET 2 OF 4)

CSWP



SIDE ELEVATION

(WITH SUPPORT)



Cad Ref. : WSD075703-A.dwg

DISPLAY BOARD FOR NOTIFYING
MOTORISTS OF UNDERGROUND
WORKS IN PROGRESS



水務署
Water Supplies Department

APPROVED

W.L. LEUNG
AD/NW

DRAWING NO.

CSWP

DATE

17/4/14

WSD 7.57A

SCALE

1 : 20

(SHEET 3 OF 4)

NOTES :

1. ALL DIMENSIONS ARE IN MILLIMETRES.
2. DISPLAY BOARD SHALL BE MADE OF 3mm THICK ALUMINIUM PLATE CONFORMING TO BS EN 485-1. THE SIGN FACE OF THE BOARD SHALL BE FINISHED WITH RETROREFLECTION MATERIALS OF CHROMATICITY CLASS CR 1 AND COEFFICIENT OF RETROREFLECTION CLASS RA2 IN ACCORDANCE WITH BS EN 12899-1.
3. COLOUR OF PAINTING SHALL COMPLY WITH BS 5252 AND SHALL BE AGREED BY THE ENGINEER EXCEPT THE FOLLOWING SPECIFIED COLOURS :
 - (A) LOGO IN ULTRA MARINE BLUE - COLOUR CODE 20 E 53
 - (B) ALL LETTERING AND BORDER IN BLACK - COLOUR CODE 00 E 53
4. FOR DETAILS OF WATER SUPPLIES DEPARTMENT LOGO, REFER TO DRAWING NO. WSD 7.17.
5. TO BE REPLACED BY THE APPROPRIATE 24-HR ENQUIRY TELEPHONE NUMBER OF WSD SITE OFFICE / A TELEPHONE NUMBER THAT CAN FACILITATE PROMPT ACTION AND PROPER HANDLING OF COMPLAINT FOR CAPITAL WORKS CONTRACTS.
6. DISPLAY BOARD IS TO BE MOUNTED ON SUPPORT. SUPPORT SHALL BE BALLASTED WITH SANDBAGS.
7. SIZE OF LETTERINGS

	ENGLISH		CHINESE		NUMBER
HEIGHT	50	20	65	30	80
WIDTH	40	16	65	30	64

8. ALL CHARACTERS SHOWN ON THIS DISPLAY BOARD SHALL BE IN PRINTED FORM AND SHALL BE CLEAR AND LEGIBLE. FREE-HAND WRITING IS NOT PERMITTED.

Cad Ref. : WSD075704-A.dwg

DISPLAY BOARD FOR NOTIFYING
MOTORISTS OF UNDERGROUND
WORKS IN PROGRESS



水務署
Water Supplies Department

APPROVED

W.L. LEUNG
AD/NW

DATE

17/4/14

SCALE

NOT APPLICABLE

DRAWING NO.

WSD 7.57A

(SHEET 4 OF 4)

CSWP