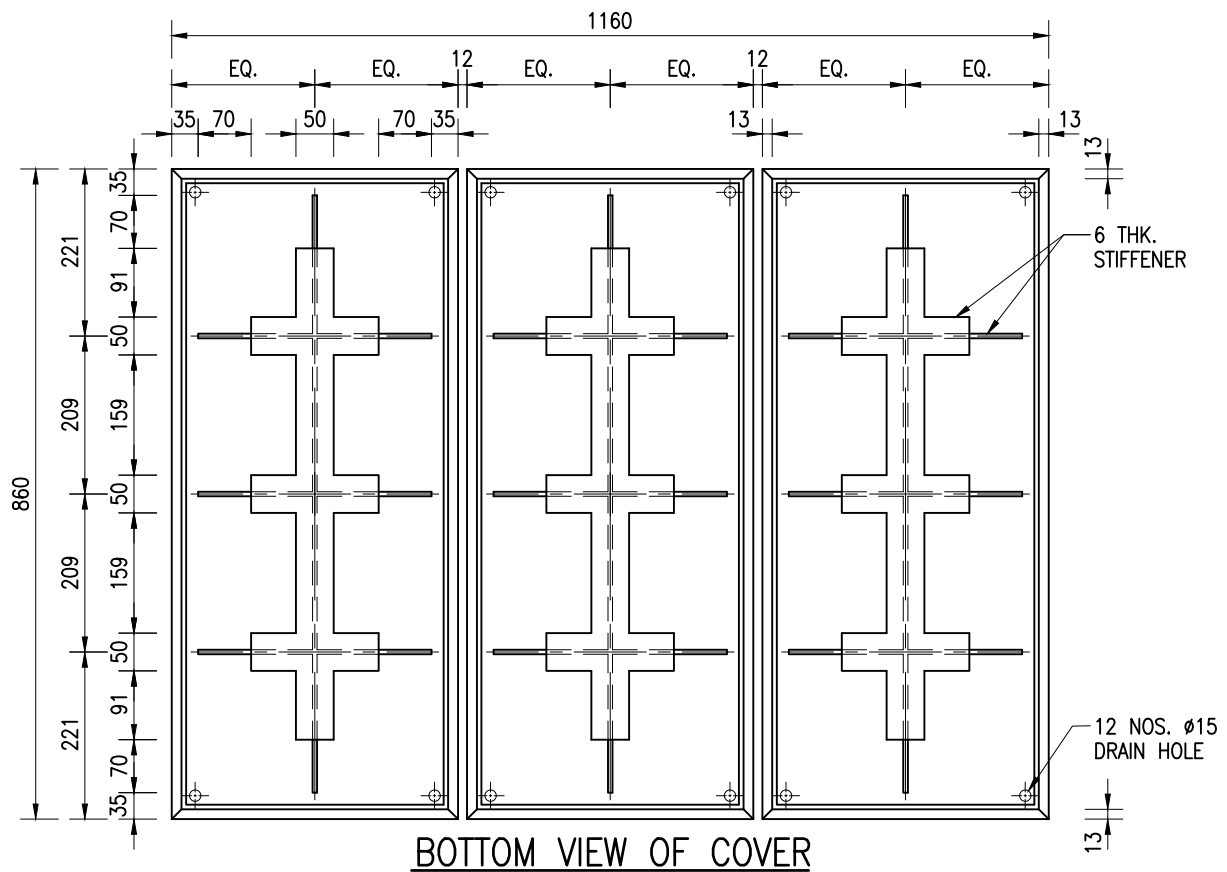
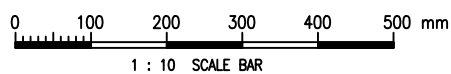


TOP VIEW OF COVER
(FRAME NOT SHOWN FOR CLARITY)



BOTTOM VIEW OF COVER



Cad Ref. : WSD075501 - A.dwg

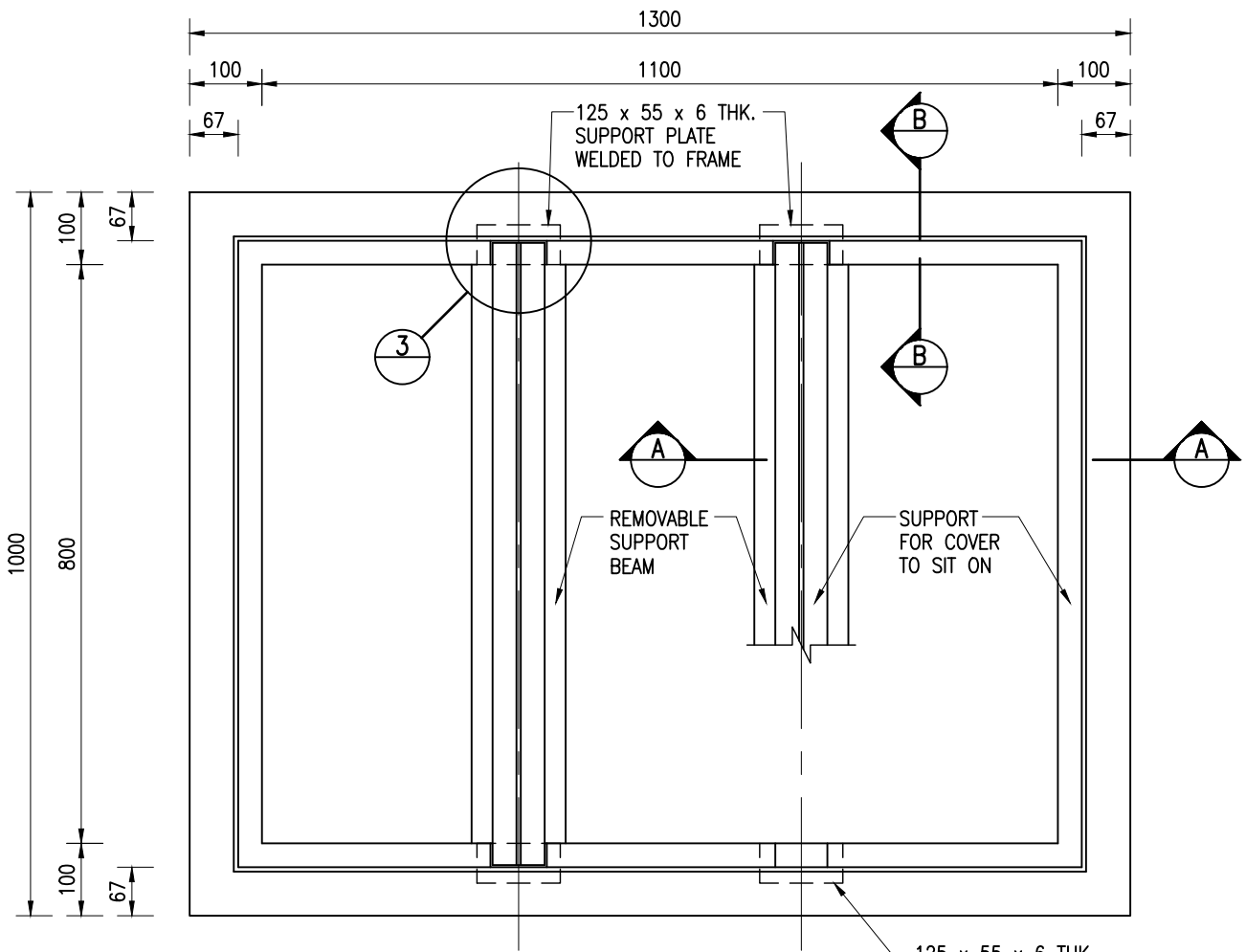
A	KEYHOLE PLASTIC PLUG ADDED	C.Y. CHAN	4/5/23
REF.	REVISION	APPROVED	DATE

FABRICATED STEEL RECESSED COVER
AND FRAME TO 800 x 1100
MANHOLE OPENING

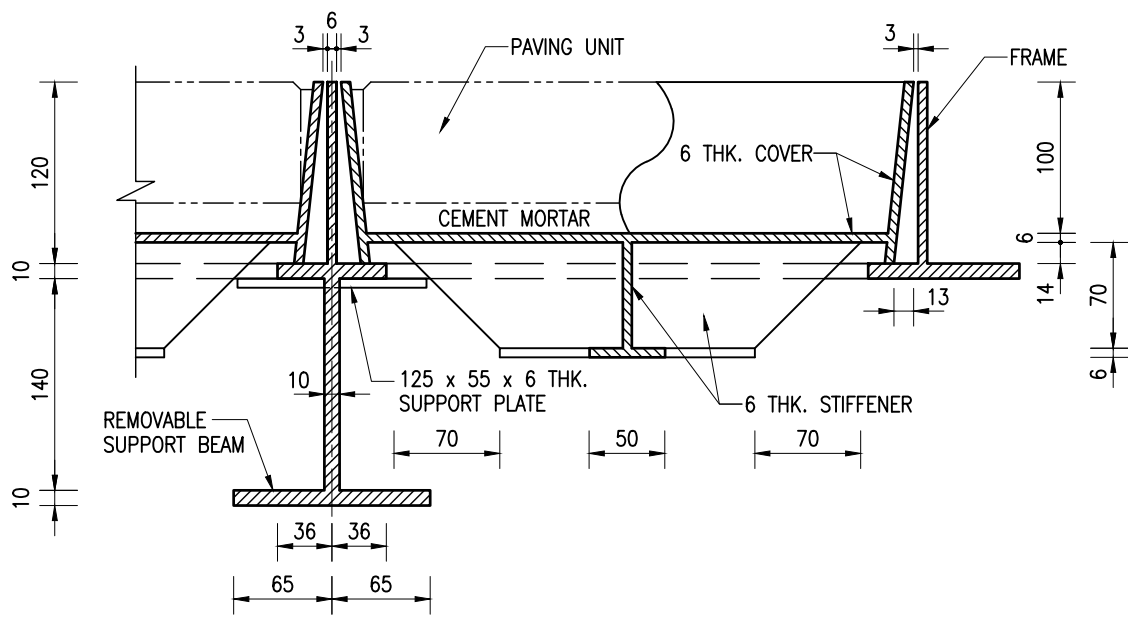


水務署
Water Supplies Department

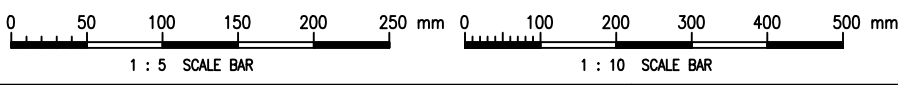
APPROVED	W.L. LEUNG AD/NW	DRAWING NO.	CSWP
DATE	15/2/12	WSD 7.55A	(SHEET 1 OF 4)
SCALE	1 : 10		



TOP VIEW OF FRAME
(COVER NOT SHOWN FOR CLARITY)



SECTION A - A
SCALE 1 : 5



Cad Ref. : WSD075502-A.dwg

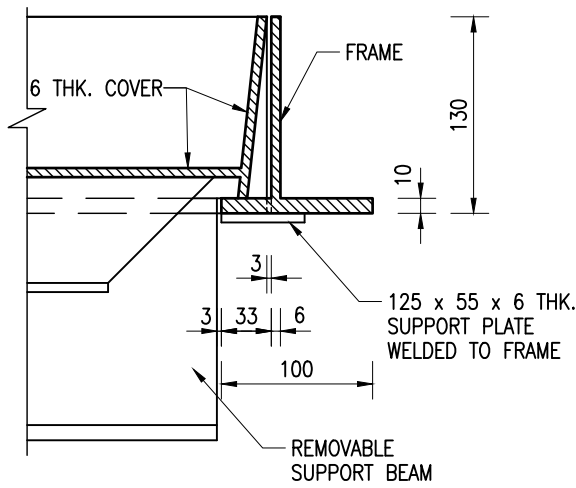
FABRICATED STEEL RECESSED COVER AND FRAME TO 800 x 1100 MANHOLE OPENING



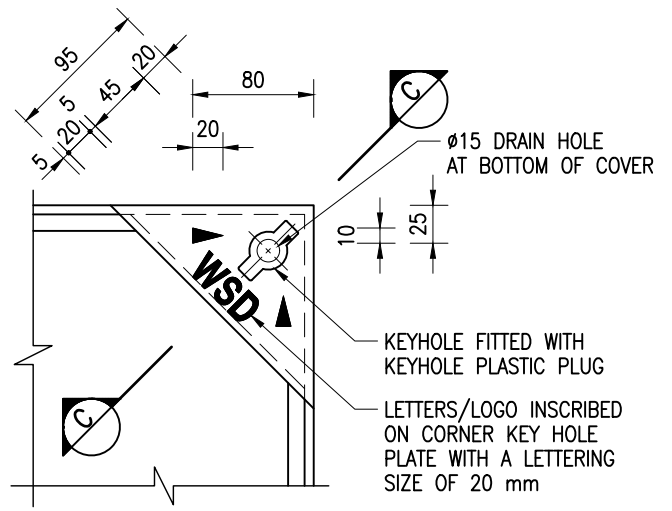
水務署
Water Supplies Department

APPROVED	W.L. LEUNG AD/NW
DATE	15/2/12
SCALE	1 : 10 OR AS SHOWN

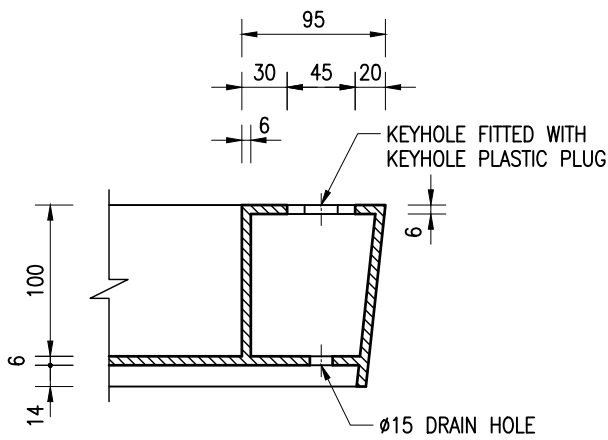
DRAWING NO.	CSWP
WSD 7.55A	
(SHEET 2 OF 4)	



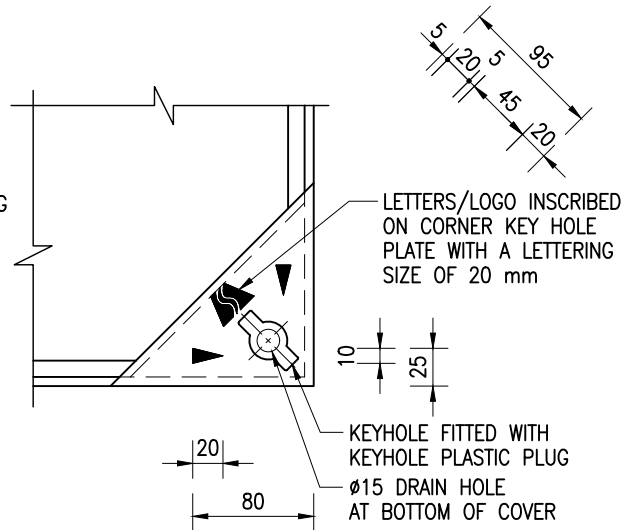
SECTION B - B



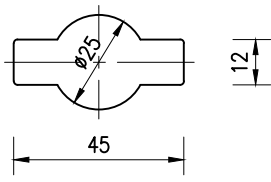
DETAIL '1'



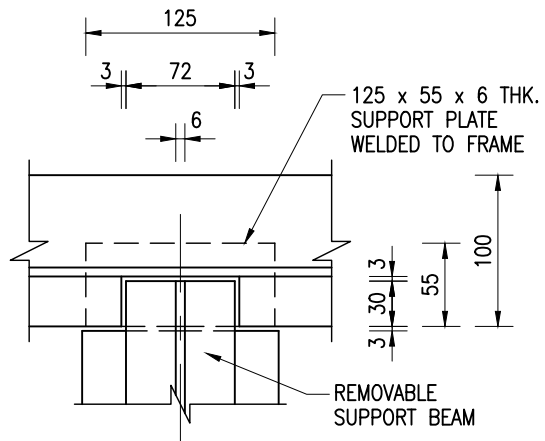
SECTION C - C



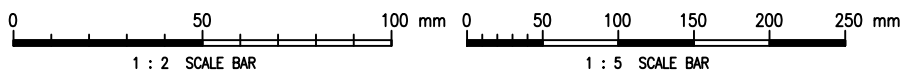
DETAIL '2'



KEY HOLE
SCALE 1 : 2



DETAIL '3'



Cad Ref. : WSD075503-A.dwg

FABRICATED STEEL RECESSED COVER
AND FRAME TO 800 x 1100
MANHOLE OPENING




水務署
Water Supplies Department

APPROVED	W.L. LEUNG AD/NW	DRAWING NO.	CSWP
DATE	15/2/12	WSD 7.55A	(SHEET 3 OF 4)
SCALE	1 : 5 OR AS SHOWN		

NOTES :

1. ALL DIMENSIONS ARE IN MILLIMETRES.
2. FOR DETAILS OF WATER SUPPLIES DEPARTMENT LOGO, REFER TO DRAWING NO. WSD 7.17.
3. COVER AND FRAME SHALL BE MANUFACTURED TO ENSURE A CLOSE MATCHING FIT AND SHALL BE FULLY FABRICATED FROM GRADE 43 STEEL TO BS 4360.
4. IN ADDITION TO THE MARKINGS SPECIFIED, THE MANUFACTURER'S NAME AND THE CONTRACT NUMBER SHALL BE INSCRIBED ON THE UNDERSIDE OF THE COVER WITH A MINIMUM LETTERING SIZE OF 20 mm.
5. COVER AND FRAME SHALL BE GALVANISED TO BS EN ISO 1461.
6. COVER SHALL BE DESIGNED TO WITHSTAND A 11 TONNES SLOW MOVING WHEEL LOAD.
7. BURRS AND SHARP EDGES SHALL BE REMOVED.
8. EDGES SHALL BE MACHINE FINISHED TO FORM A SMOOTH SURFACE.
9. THE APPROXIMATE WEIGHT OF A COVER WITH INFILLED PAVING UNITS SHALL BE 120 kg.
10. FOR CONCRETE FOOTWAY, FABRICATED STEEL RECESSED COVER SHALL BE FILLED WITH CONCRETE.
11. THE ARROW SHOWN IN DETAILS '1' AND '2' INDICATES THE DIRECTION OF OF SLIDING OUT OR MOVING THE COVER DURING THE COURSE OF LIFTING OR REMOVAL OF THE COVER.
12. FOR DETAILS OF KEYHOLE PLASTIC PLUG REFER TO DRAWING NO. WSD 7.48.

Cad Ref. : WSD075504--A.dwg

<p>FABRICATED STEEL RECESSED COVER AND FRAME TO 800 x 1100 MANHOLE OPENING</p>	 <p style="margin: 0;">水務署 Water Supplies Department</p>		
	APPROVED	W.L. LEUNG AD/NW	DRAWING NO. CSWP
	DATE	15/2/12	<p>WSD 7.55A (SHEET 4 OF 4)</p>
	SCALE	NOT APPLICABLE	