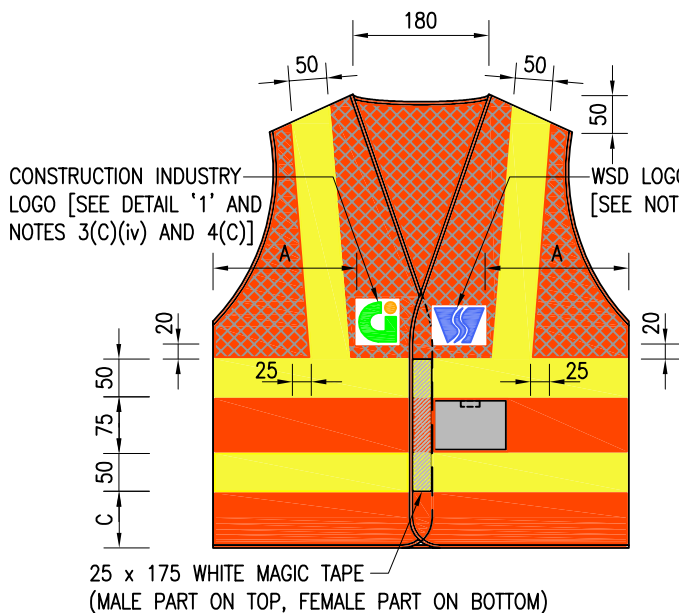
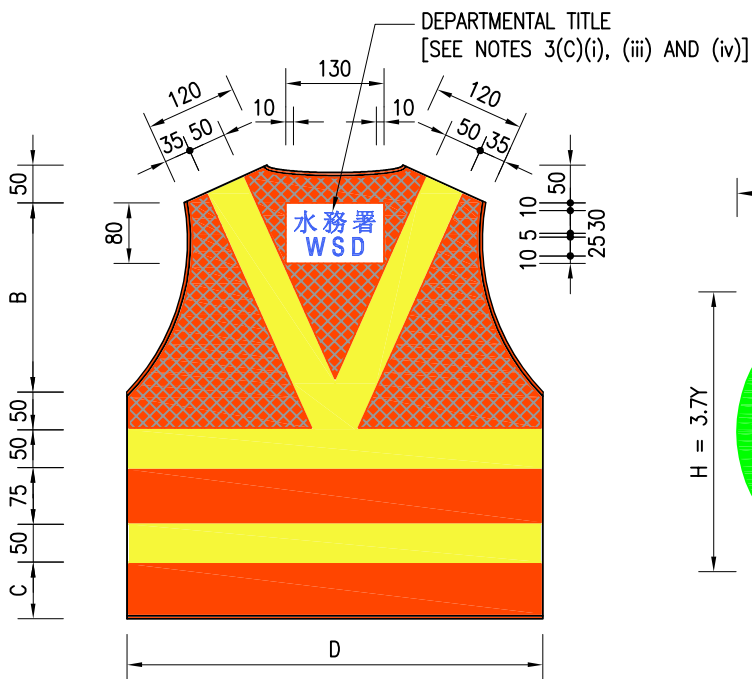


LEGEND :

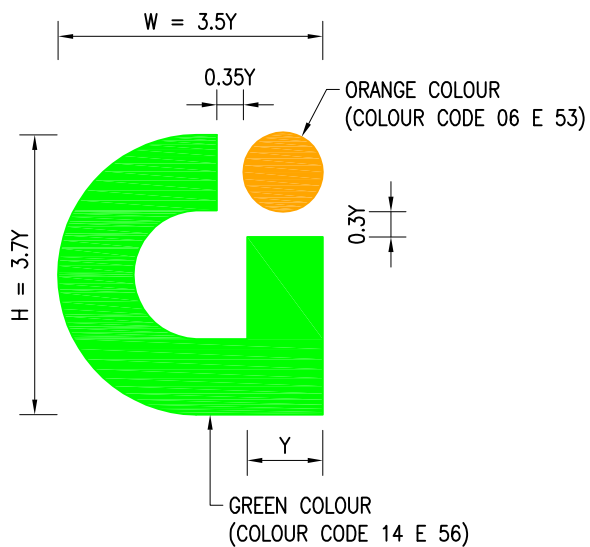
-  FLUORESCENT ORANGE-RED COLOUR COARSE MESH [SEE NOTE 3(A)]
-  EDGE BINDING NOT EXCEEDING 10mm WIDE ORANGE-RED COLOUR [SEE NOTES 5(B) AND 5(C)]
-  RETROREFLECTIVE STRIP FLUORESCENT LIME-YELLOW COLOUR [SEE NOTE 3(B)]
-  FLUORESCENT ORANGE-RED COLOUR FINE MESH [SEE NOTE 3(A)]
-  TRANSPARENT STAFF CARD POCKET (SEE DETAIL '2')



FRONT

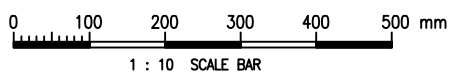


BACK



DETAIL '1'

N.T.S.



Cad Ref. : WSD074901-D.dwg

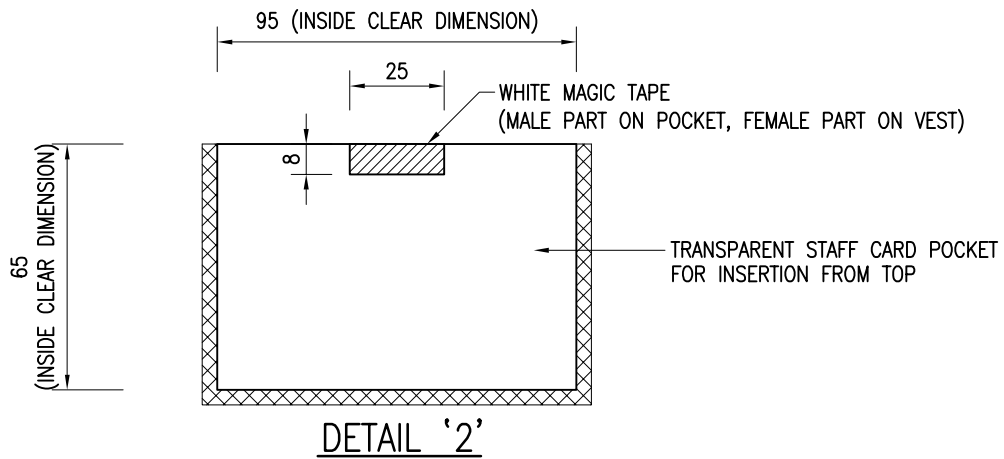
D	REFLECTIVE VEST STYLE CHANGED	K.W. CHEUNG	25/9/15
C	RE-FORMATTED TO CSWP	W.K. CHIU	14/11/03
B	GENERAL REVISION	W.K. CHIU	20/9/00
A	STAFF CARD POCKET ADDED	W.K. CHIU	27/8/99
REF.	REVISION	APPROVED	DATE

REFLECTIVE VEST



水務署
Water Supplies Department

APPROVED	M.C. LEUNG AD/NW	DRAWING NO.	CSWP
DATE	12/7/99	WSD 7.49D	
SCALE	1 : 10 OR AS SHOWN	(SHEET 1 OF 2)	



NOTES:

1. ALL DIMENSIONS ARE IN MILLIMETRES (INCLUSIVE OF THE EDGE BINDING).
2. ALL COLOUR CODES SHOWN SHALL BE TO BS 5252.
3. MATERIAL AND COLOUR
 - (A) BACKGROUND MATERIAL:
HIGH VISIBILITY FLUORESCENT ORANGE-RED COARSE AND FINE FABRIC MESH – SAMPLE OF THE MATERIAL SHALL BE SUBMITTED FOR APPROVAL.
 - (B) RETROREFLECTIVE MATERIAL:
 - (i) STRIPS – 50mm WIDE IN FLUORESCENT LIME-YELLOW COLOUR.
 - (ii) THE MINIMUM COEFFICIENT OF RETROREFLECTION OF THIS MATERIAL MEASURED AT AN OBSERVATION ANGLE OF 12° AND ENTRANCE ANGLE OF 5° SHOULD NOT BE LESS THAN 250 cd/(lx·m²) AS SPECIFIED IN BS EN ISO 20471.
 - (iii) SAMPLE OF THE MATERIAL SHALL BE SUBMITTED FOR APPROVAL.
 - (C) LOGOS AND DEPARTMENTAL TITLE:
 - (i) WSD LOGO AND DEPARTMENTAL TITLE SHALL BE IN ULTRA MARINE BLUE (COLOUR CODE 20 E 53).
 - (ii) FOR DETAILS OF WSD LOGO, REFER TO DRAWING NO. WSD 7.17.
 - (iii) FOR REFLECTIVE VEST TO BE WORN BY CONSULTANT'S OR CONTRACTOR'S STAFF, THE WSD LOGO AND DEPARTMENTAL TITLE SHALL BE REPLACED BY THE CONSULTANT'S OR CONTRACTOR'S LOGO AND NAME RESPECTIVELY.
 - (iv) THE WSD AND CONSTRUCTION INDUSTRY LOGOS AND THE DEPARTMENTAL TITLE SHALL BE PRINTED ON A WHITE PIECE OF RETROREFLECTIVE MATERIAL OF COLOUR CODE 00 E 55 WITH MINIMUM COEFFICIENT OF RETROREFLECTION AS IN NOTE 3(B)(ii). THE STRIP OF RETROREFLECTIVE MATERIAL AROUND THE LOGO OR DEPARTMENTAL TITLE SHALL BE WIDE ENOUGH SO THAT THE STITCHES ATTACHING THE PIECE OF RETROREFLECTIVE MATERIAL TO THE VEST SHALL NOT CROSS THE LOGO OR DEPARTMENTAL TITLE.

4. SIZES AND DIMENSIONS

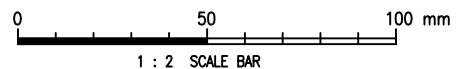
(A) DIMENSIONS:

SIZE	A	B	C	D
SMALL	190	250	75	550
MEDIUM	198	275	100	575
LARGE	206	300	125	600
EXTRA LARGE	214	325	150	625


- (B) NOMINAL SIZE OF WSD LOGO AT FRONT (W x H): 65 x 45.5
 (C) NOMINAL SIZE OF CONSTRUCTION INDUSTRY LOGO AT FRONT (W x H): 49 x 51.8

5. PATTERN

- (A) THE LAYOUT OF PATTERN OF THE VEST SHALL BE AS SHOWN ON THIS DRAWING.
- (B) THE EDGE BINDING SHALL NOT EXCEED 10mm IN WIDTH.
- (C) THE EDGE BINDING SHALL BE FLUORESCENT ORANGE-RED IN COLOUR AND SHALL BE MADE OF RETROREFLECTIVE MATERIAL WITH MINIMUM COEFFICIENT OF RETROREFLECTION AS IN NOTE 3(B)(ii).



Cad Ref. : WSD074902-D.dwg

REFLECTIVE VEST	 水務署 Water Supplies Department		CSWP
	APPROVED	M.C. LEUNG AD/NW	DRAWING NO. WSD 7.49D (SHEET 2 OF 2)
	DATE	12/7/99	
	SCALE	1 : 2	