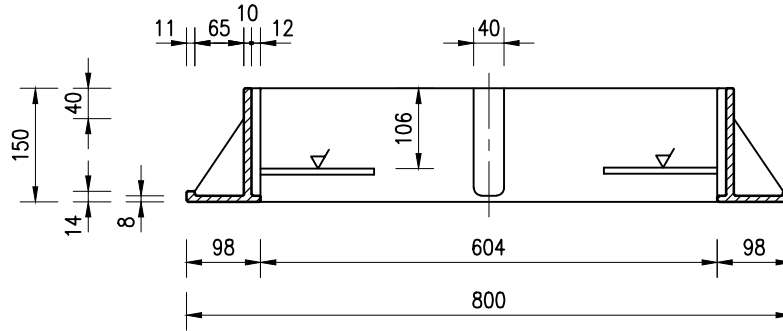
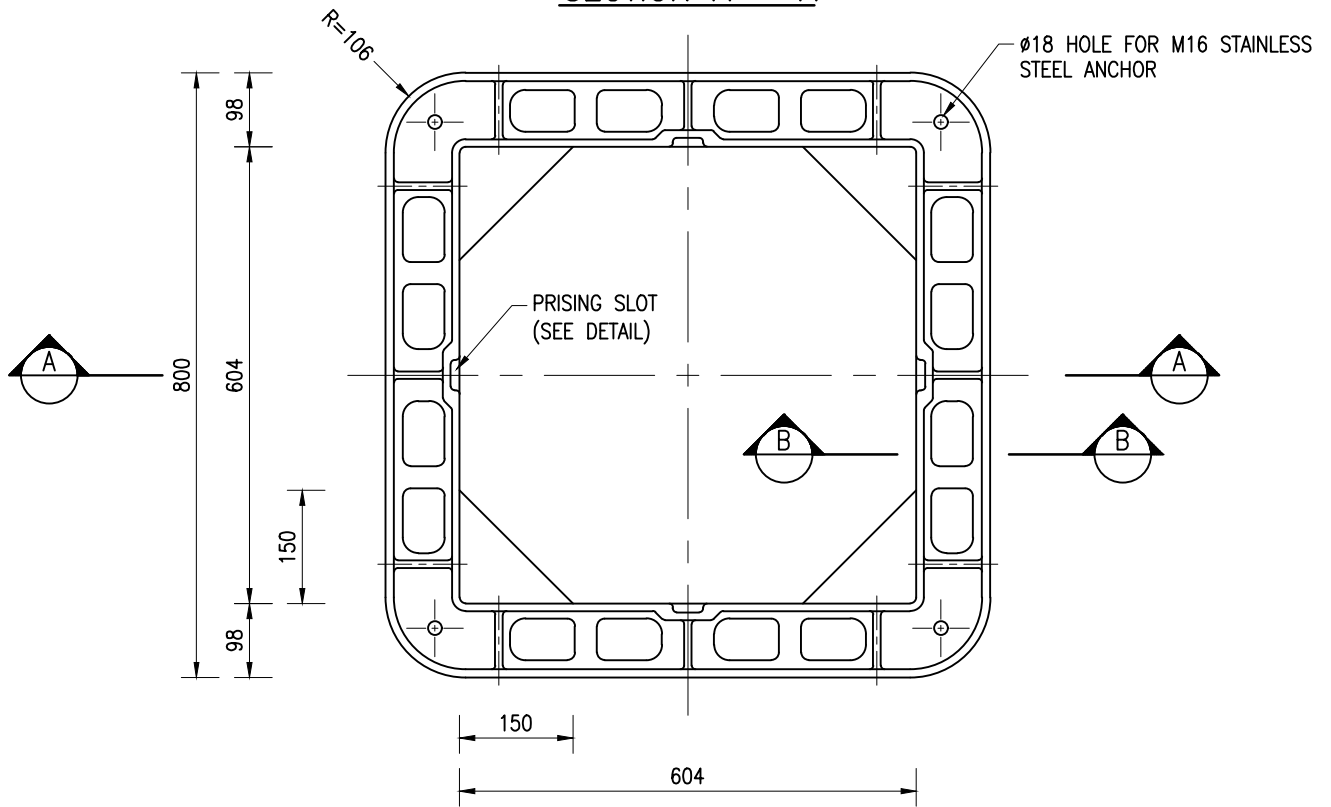


SECTION B - B

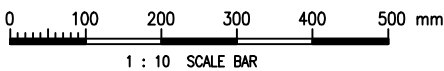
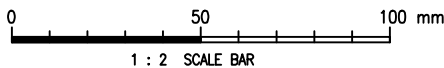
SCALE 1 : 2



SECTION A - A



D.I. FRAME



D	KEYHOLE PLASTIC PLUG ADDED	K.H. HO	16/11/21
C	GENERAL REVISION	W.K. CHIU	3/8/06
B	COVER RE-DESIGNED AND RE-FORMATTED TO CSWP	W.K. CHIU	5/3/03
A	GENERAL REVISION	W.K. CHIU	20/9/00
REF.	REVISION	APPROVED	DATE

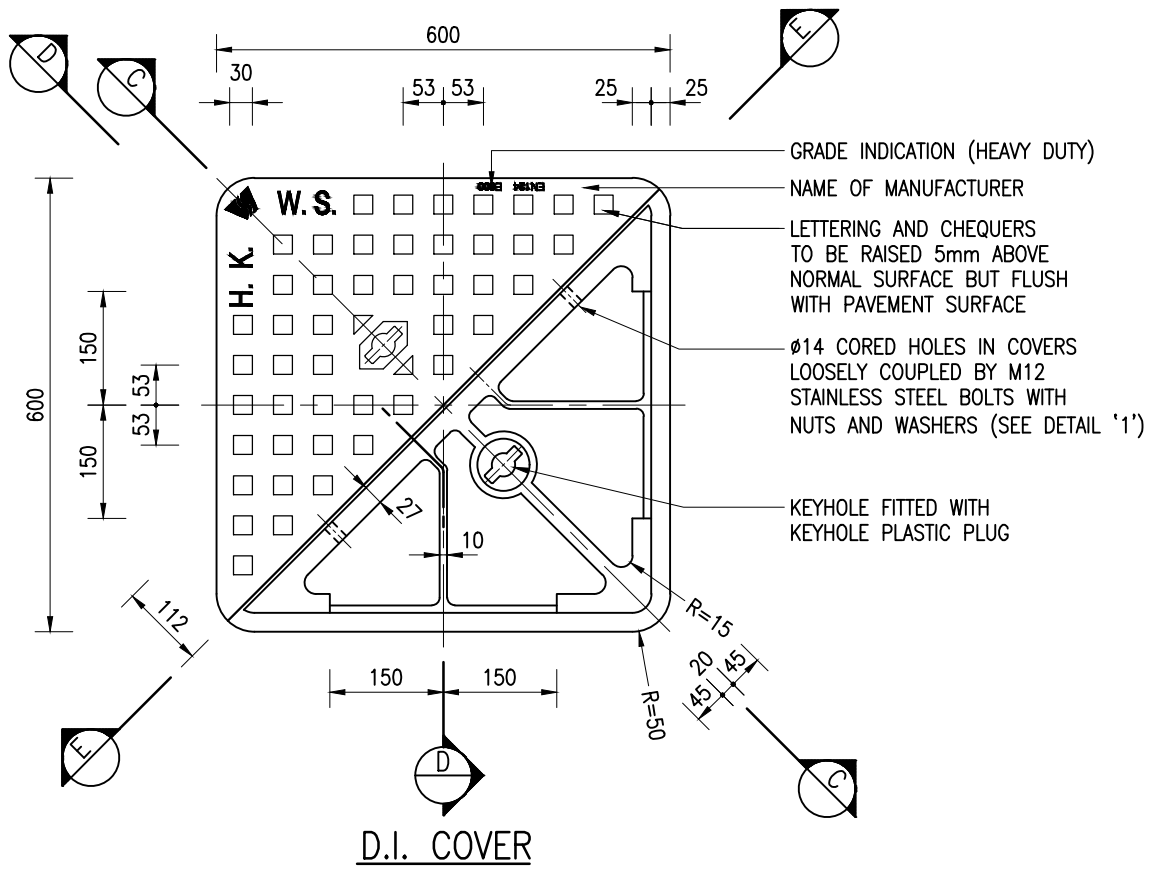
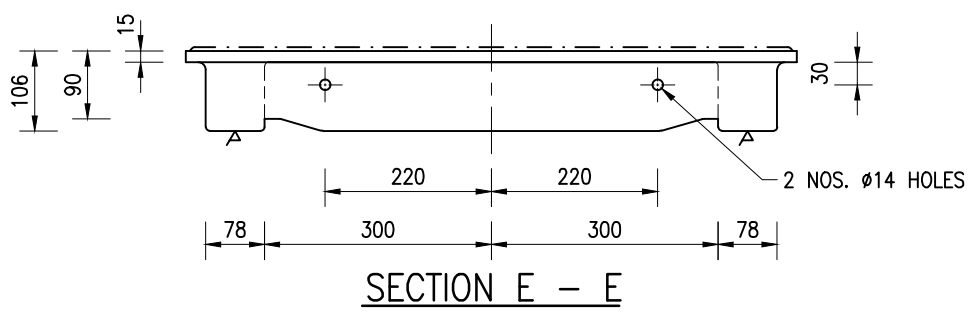
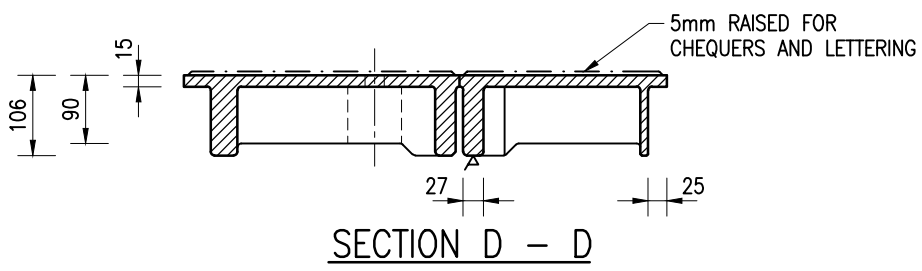
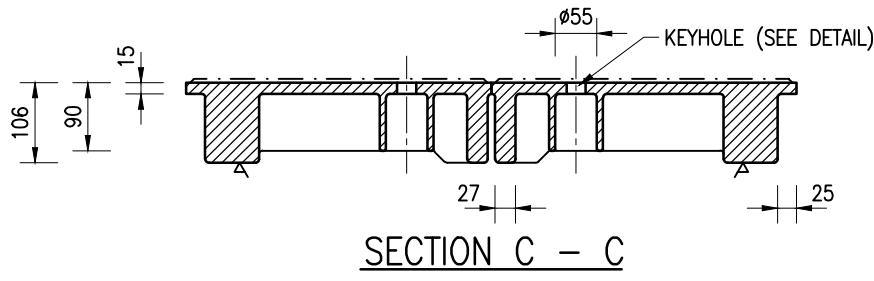
600 SQUARE DUCTILE IRON
MANHOLE COVER



水務署
Water Supplies Department

APPROVED	M.C. LEUNG AD/NW
DATE	27/8/99
SCALE	1 : 10 OR AS SHOWN

DRAWING NO. CSWP
WSD 7.48D
(SHEET 1 OF 3)



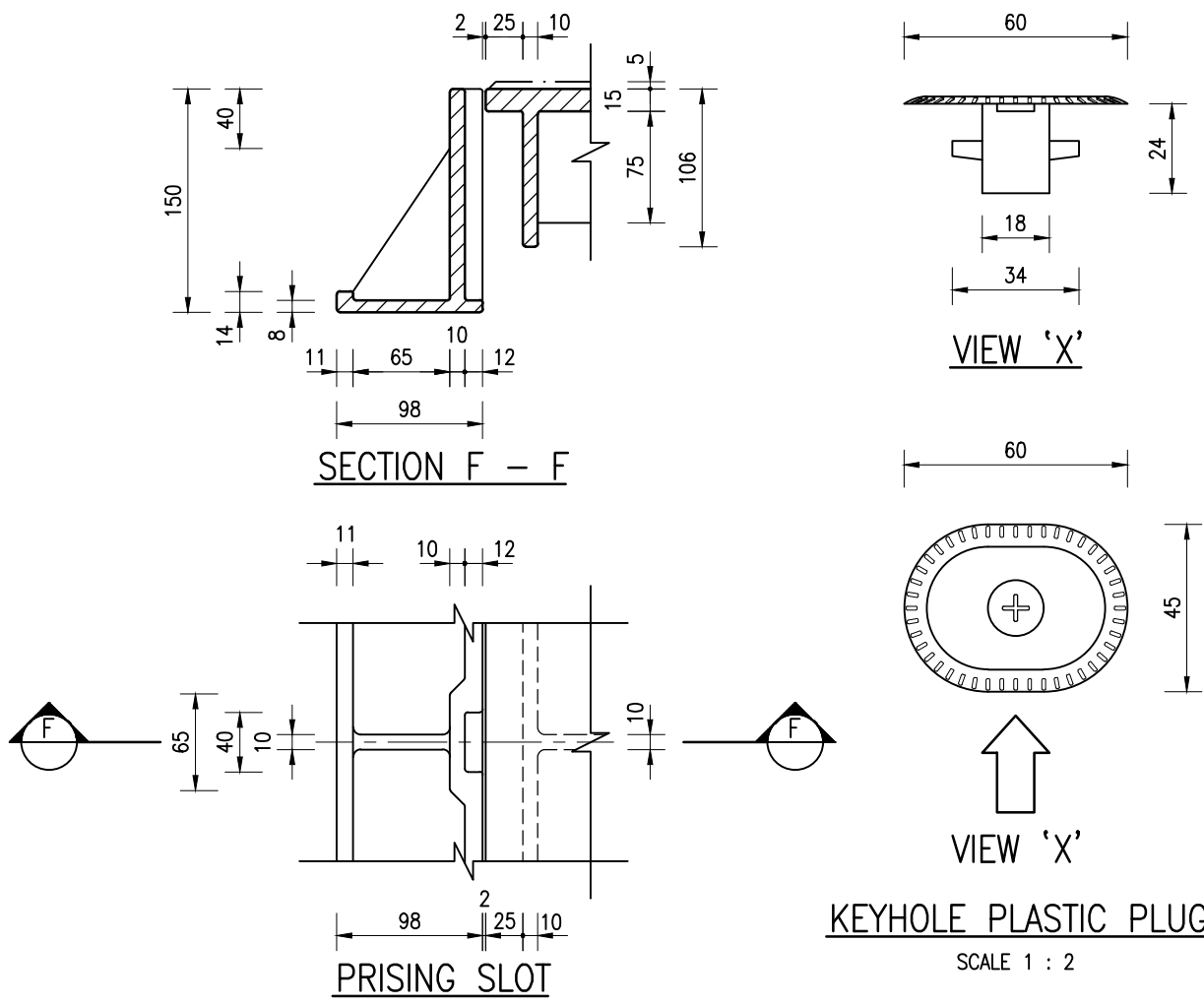
- GRADE INDICATION (HEAVY DUTY)
- NAME OF MANUFACTURER
- LETTERING AND CHEQUERS TO BE RAISED 5mm ABOVE NORMAL SURFACE BUT FLUSH WITH PAVEMENT SURFACE
- Ø14 CORED HOLES IN COVERS LOOSELY COUPLED BY M12 STAINLESS STEEL BOLTS WITH NUTS AND WASHERS (SEE DETAIL '1')
- KEYHOLE FITTED WITH KEYHOLE PLASTIC PLUG

Cad Ref. : WSD074802-D.dwg

600 SQUARE DUCTILE IRON
MANHOLE COVER

 水務署
Water Supplies Department

APPROVED	M.C. LEUNG AD/NW	DRAWING NO.	CSWP WSD 7.48D (SHEET 2 OF 3)
DATE	27/8/99		
SCALE	1 : 10		



SECTION F - F

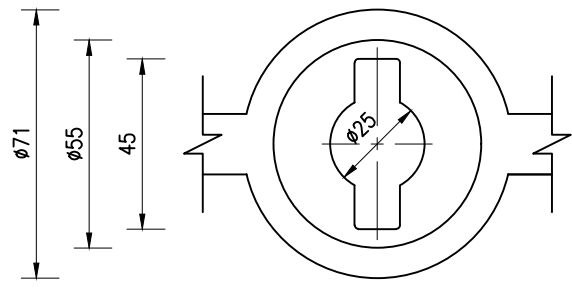
VIEW 'X'

VIEW 'X'

KEYHOLE PLASTIC PLUG

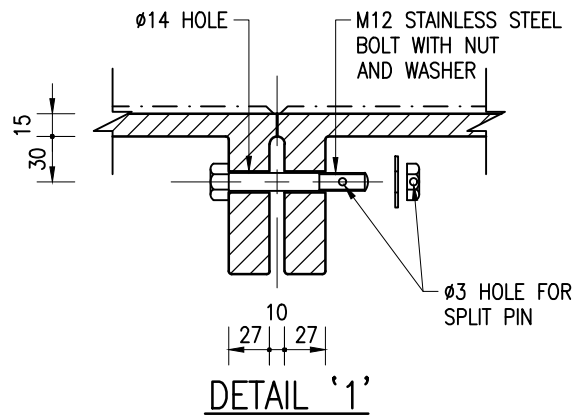
SCALE 1 : 2

PRISING SLOT



KEYHOLE

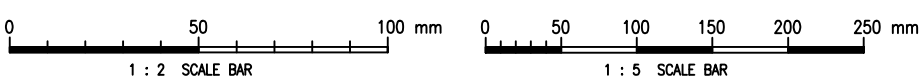
SCALE 1 : 2



DETAIL '1'

NOTES :

1. ALL DIMENSIONS ARE IN MILLIMETRES.
2. THIS DRAWING SHALL BE READ IN CONJUNCTION WITH DRG. NO. WSD 7.43.
3. FOR DETAILS OF WATER SUPPLIES DEPARTMENT LOGO REFER TO DRG. NO. WSD 7.17 (SHEET 1 OF 3).
4. THE PLASTIC PLUG FOR KEYHOLE SHALL BE ABLE TO WITHSTAND A TEMPERATURE OF NOT LESS THAN 100°C AND HAVE AN IMPACT RESISTANT OF NOT LESS THAN 0.25kg/m, AND SHALL BE SUNLIGHT, ACID AND ALKALI RESISTANT.



Cad Ref. : WSD074803-D.dwg

<p style="font-size: 1.2em; margin: 0;">600 SQUARE DUCTILE IRON MANHOLE COVER</p>	<p style="margin: 0;">水務署 Water Supplies Department</p>			
	APPROVED	M.C. LEUNG AD/NW	DRAWING NO.	CSWP
	DATE	27/8/99	WSD 7.48D	
	SCALE	1 : 5 OR AS SHOWN	(SHEET 3 OF 3)	