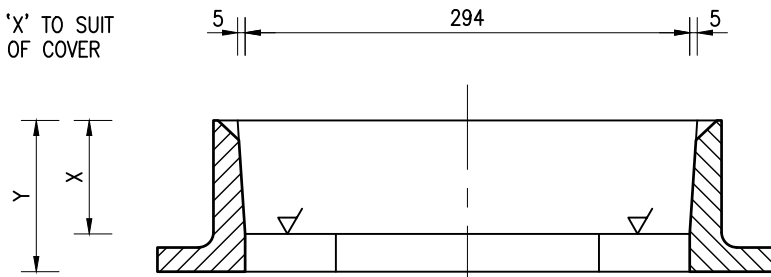
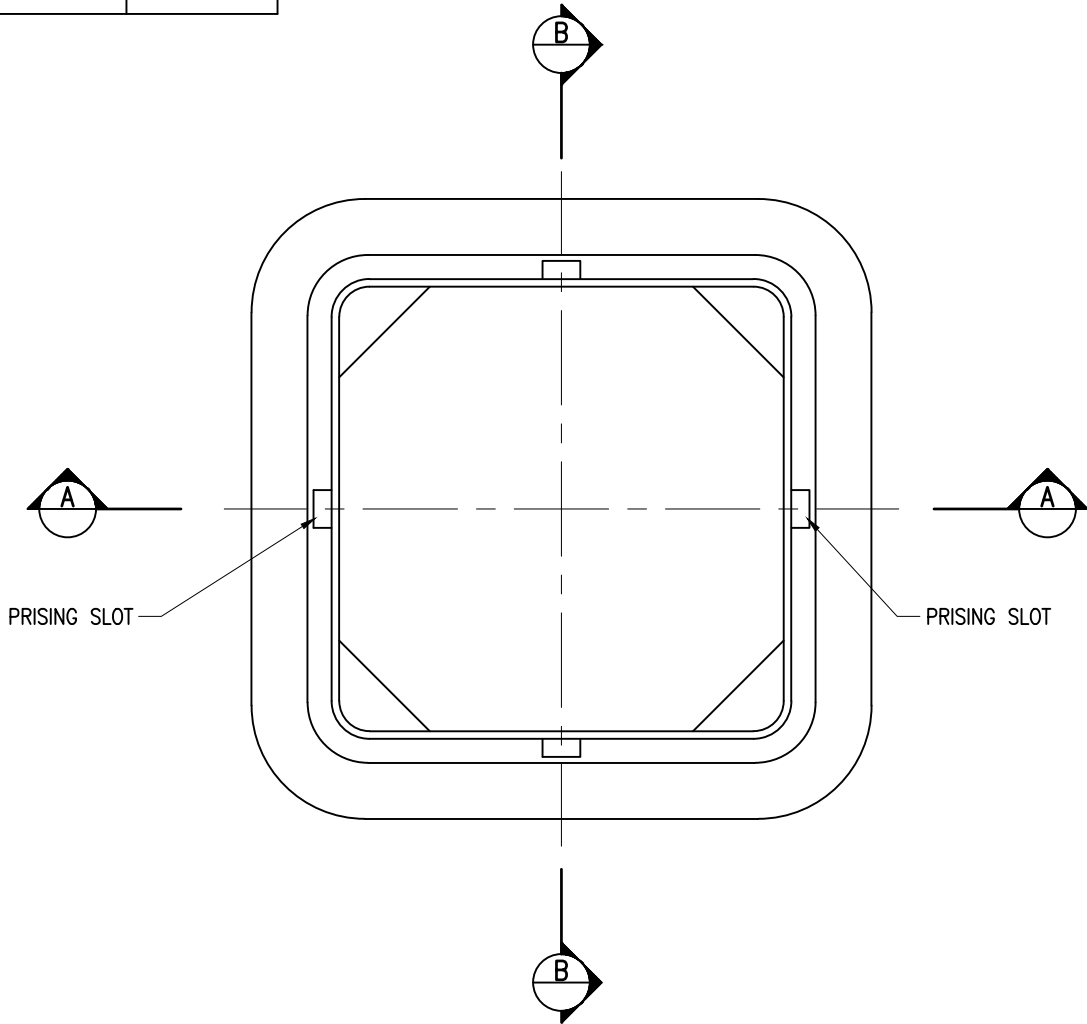


DIMENSION 'X' TO SUIT THICKNESS OF COVER

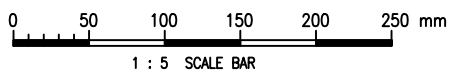


FRAME TYPE	Y (mm)
TYPE 1	100
TYPE 2	150

SECTION A - A
(SECTION B - B SIMILAR)



DUCTILE IRON FRAME



D	KEYHOLE PLASTIC PLUG ADDED	C.Y. CHAN	4/5/23
C	GENERAL REVISION	C.M. LEE	4/9/09
B	RE-FORMATTED TO CSWP	W.K. CHIU	14/11/03
A	GENERAL REVISION	W.K. CHIU	20/9/00
REF.	REVISION	APPROVED	DATE

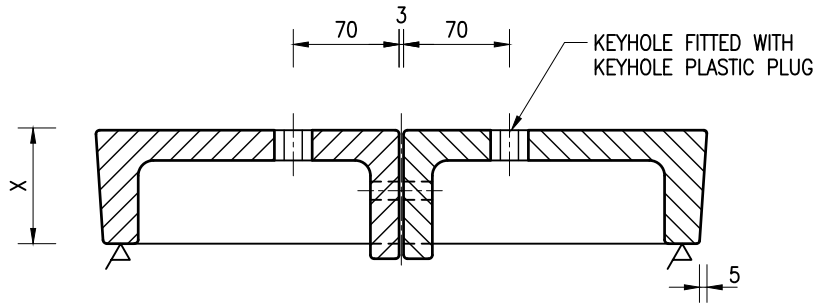
Cad Ref. : WSD074701-D.dwg

300 SQUARE DUCTILE IRON SURFACE BOX

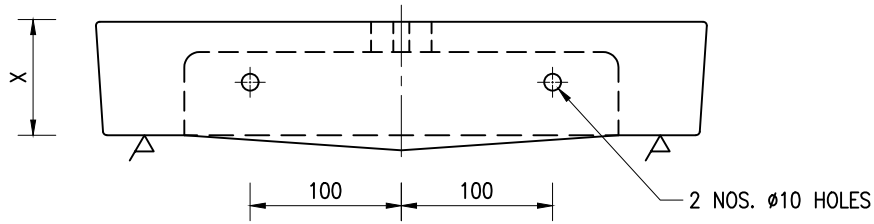


水務署
Water Supplies Department

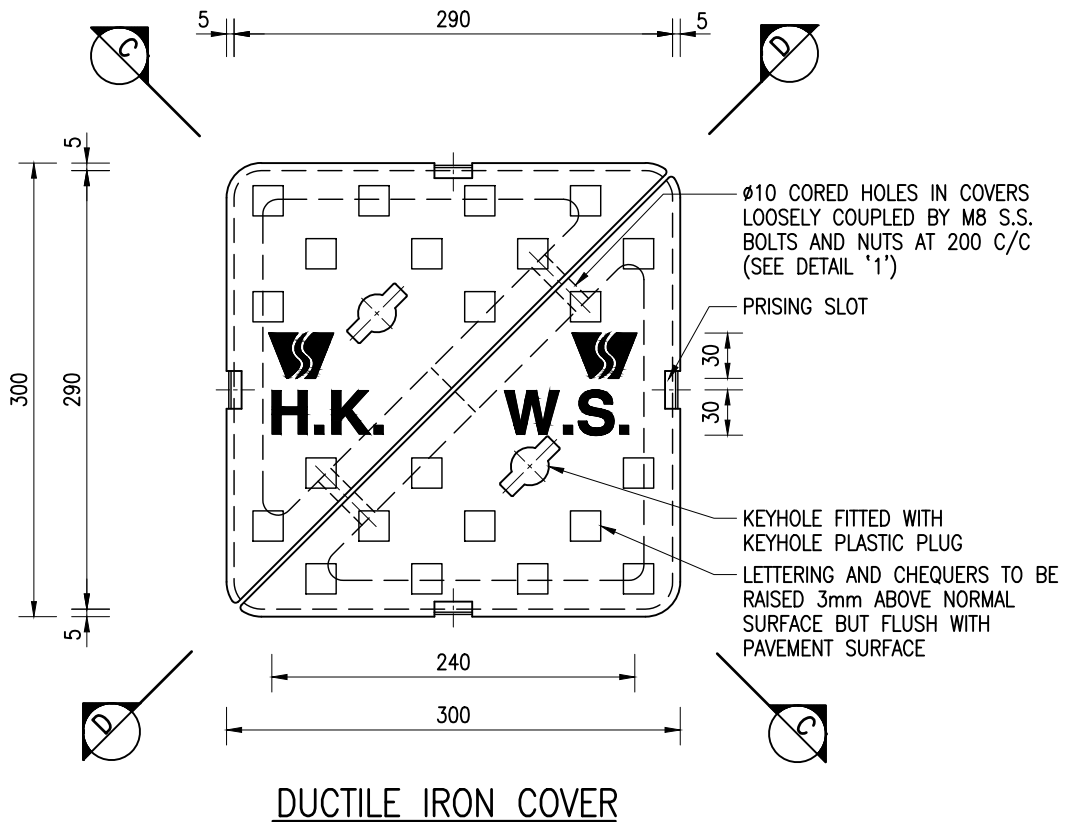
APPROVED	M.C. LEUNG AD/NW	DRAWING NO.	CSWP
DATE	27/8/99	WSD 7.47D	(SHEET 1 OF 3)
SCALE	1 : 5		



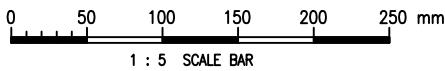
SECTION C - C
(RAISED CHEQUERS NOT SHOWN FOR CLARITY)



SECTION D - D
(RAISED CHEQUERS NOT SHOWN FOR CLARITY)



DUCTILE IRON COVER



Cad Ref. : WSD074702-D.dwg

300 SQUARE DUCTILE IRON
SURFACE BOX



水務署
Water Supplies Department

APPROVED

M.C. LEUNG
AD/NW

DATE

27/8/99

SCALE

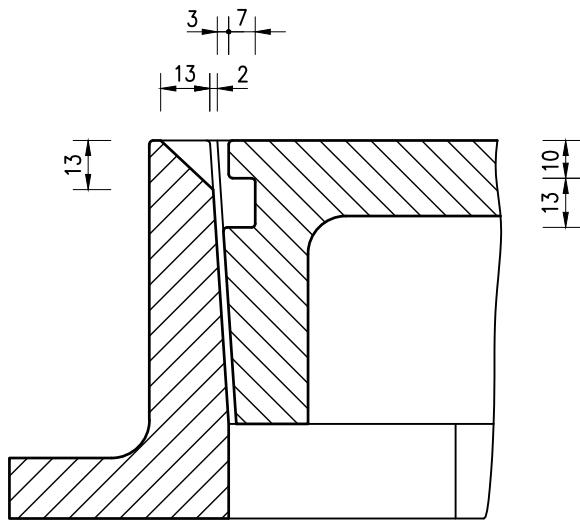
1 : 5

DRAWING NO.

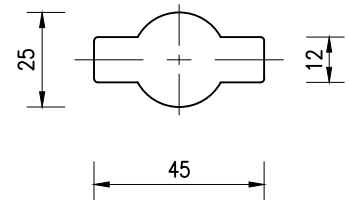
WSD 7.47D

(SHEET 2 OF 3)

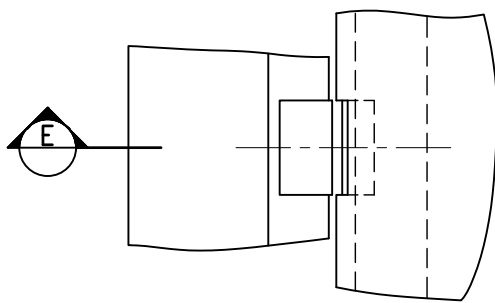
CSWP



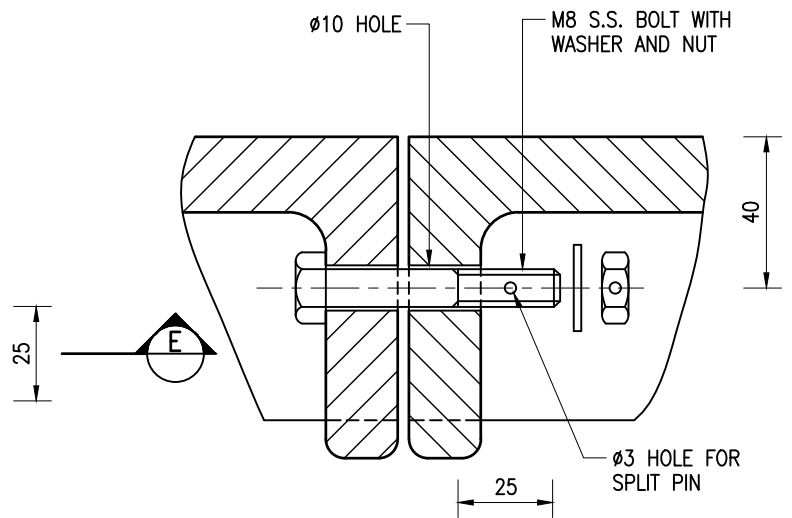
SECTION E - E



KEYHOLE



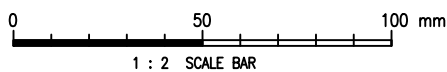
PRISING SLOT



DETAIL '1'

NOTES :

1. ALL DIMENSIONS ARE IN MILLIMETRES.
2. THIS DRAWING SHALL BE READ IN CONJUNCTION WITH DRAWING NO. WSD 7.43.
3. FOR DETAILS OF WATER SUPPLIES DEPARTMENT LOGO REFER TO DRAWING NO. WSD 7.17.
4. TYPE 1 FRAME SHALL NORMALLY BE USED UNLESS OTHERWISE INSTRUCTED BY THE ENGINEER.
5. FOR DETAILS OF KEYHOLE PLASTIC PLUG REFER TO DRAWING NO. WSD 7.48.



Cad Ref. : WSD074703-D.dwg

300 SQUARE DUCTILE IRON
SURFACE BOX



水務署
Water Supplies Department

APPROVED	M.C. LEUNG AD/NW	DRAWING NO. WSD 7.47D (SHEET 3 OF 3)	CSWP
DATE	27/8/99		
SCALE	1 : 2		