

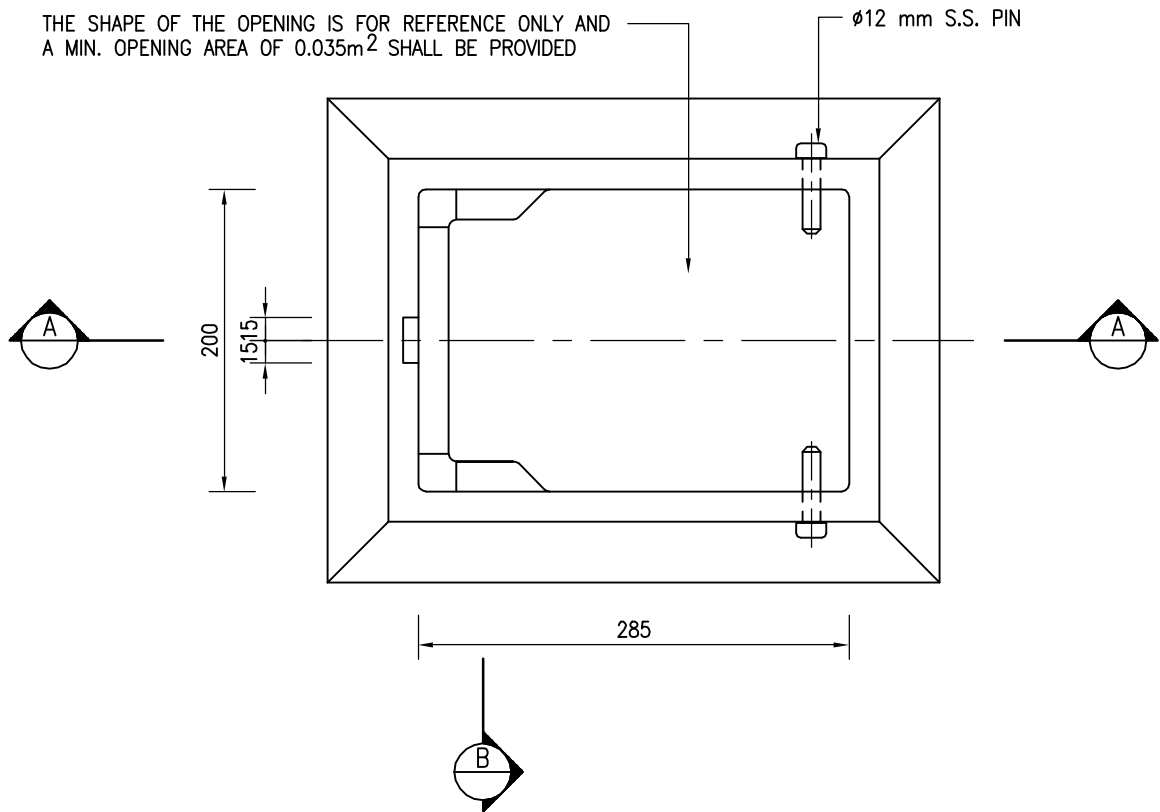
SECTION A - A

SECTION B - B

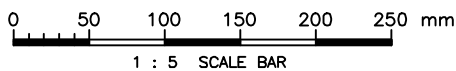
DIMENSION 'X' TO SUIT THICKNESS OF COVER



THE SHAPE OF THE OPENING IS FOR REFERENCE ONLY AND A MIN. OPENING AREA OF 0.035m² SHALL BE PROVIDED



D.I. FRAME



B	RE-FORMATTED TO CSWP	W.K. CHIU	14/11/03
A	GENERAL REVISION	W.K. CHIU	20/9/00
REF.	REVISION	APPROVED	DATE

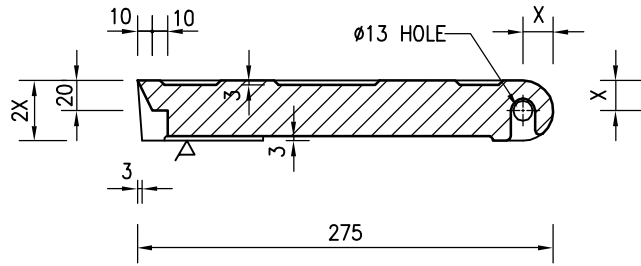
Cad Ref. : WSD074601-B.dwg

DUCTILE IRON FIRE HYDRANT SURFACE BOX

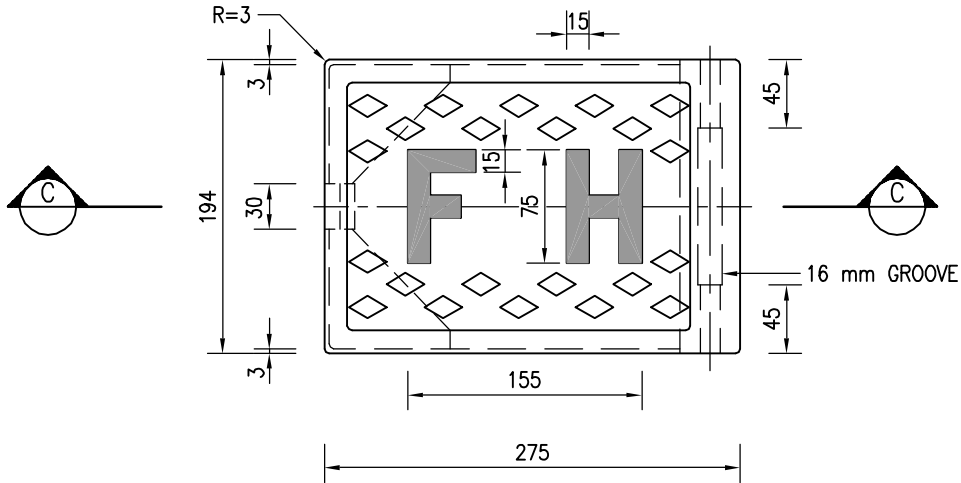


水務署
Water Supplies Department

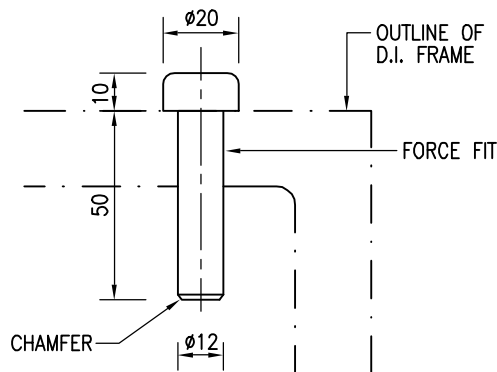
APPROVED	M.C. LEUNG AD/NW	DRAWING NO. WSD 7.46B (SHEET 1 OF 2)	CSWP
DATE	27/8/99		
SCALE	1 : 5		



SECTION C - C



D.I. COVER

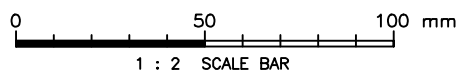
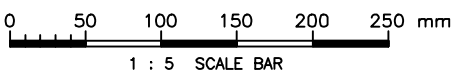


**STAINLESS STEEL PIN
WITH CHAMFERED END**

(2 NOS. REQUIRED)
SCALE 1 : 2

NOTES :

1. ALL DIMENSIONS ARE IN MILLIMETRES.
2. THIS DRAWING SHALL BE READ IN CONJUNCTION WITH DRG. NO. WSD 7.43.



Cad Ref. : WSD074602-B.dwg

DUCTILE IRON FIRE HYDRANT
SURFACE BOX



水務署
Water Supplies Department

APPROVED	M.C. LEUNG AD/NW	DRAWING NO. WSD 7.46B (SHEET 2 OF 2)	CSWP
DATE	27/8/99		
SCALE	1 : 5 OR AS SHOWN		