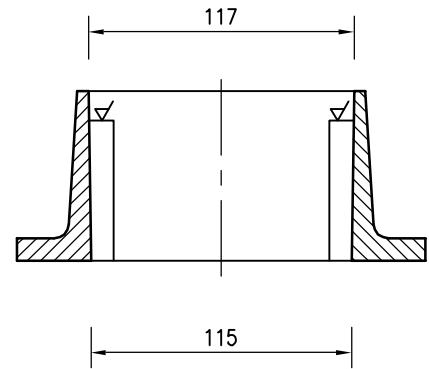
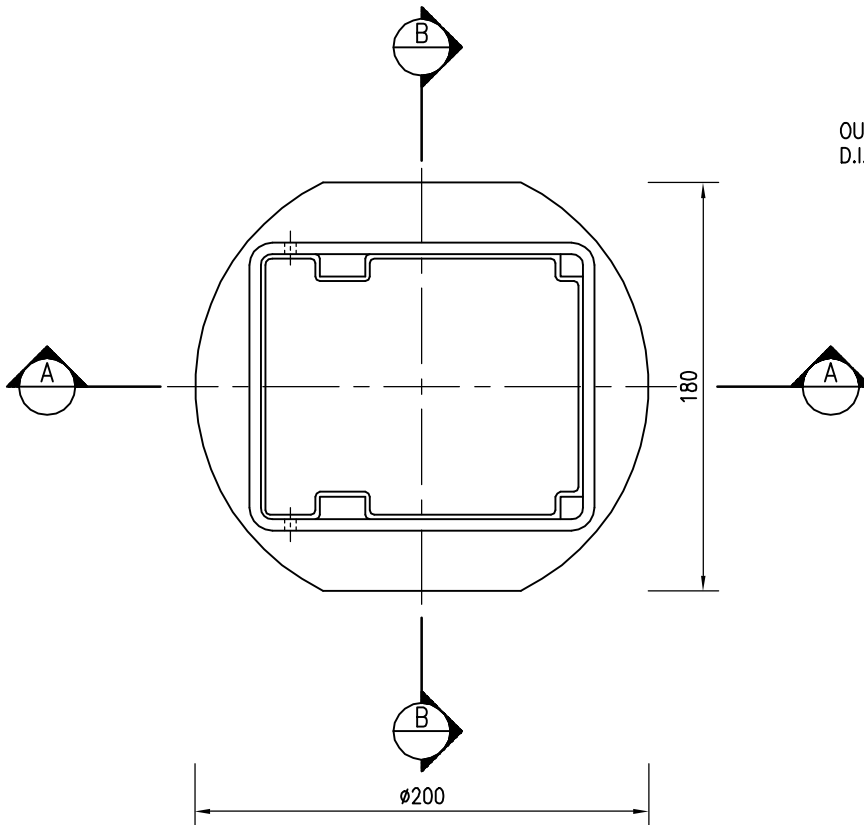


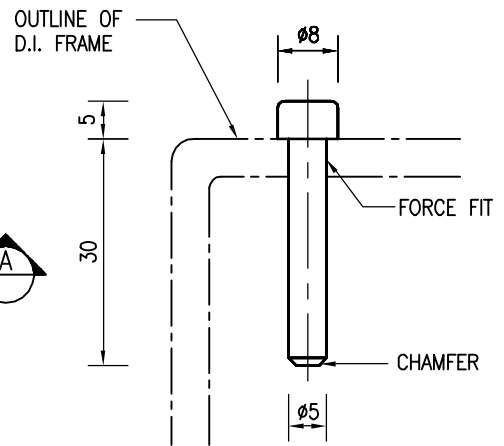
SECTION A - A



SECTION B - B



D.I. FRAME



STAINLESS STEEL PIN
WITH CHAMFERED END

(2 NOS. REQUIRED)

Cad Ref. : WSD074401-B.dwg

B	RE-FORMATTED TO CSWP	W.K. CHIU	14/11/03
A	GENERAL REVISION	W.K. CHIU	20/9/00
REF.	REVISION	APPROVED	DATE

LIGHT GRADE DUCTILE IRON
SURFACE BOX



水務署
Water Supplies Department

APPROVED

M.C. LEUNG
AD/NW

DATE

27/8/99

SCALE

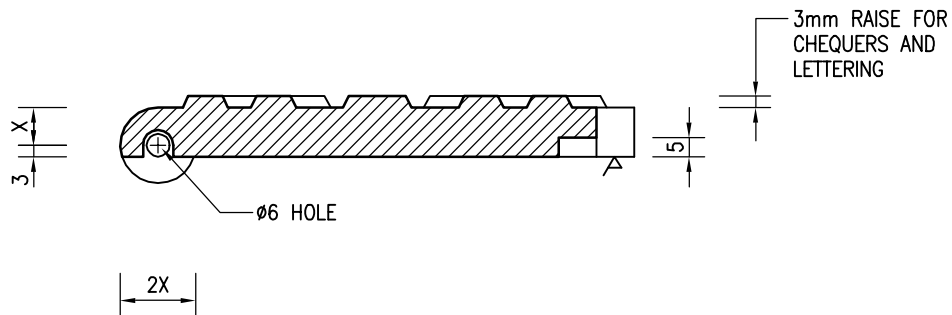
N.T.S.

DRAWING NO.

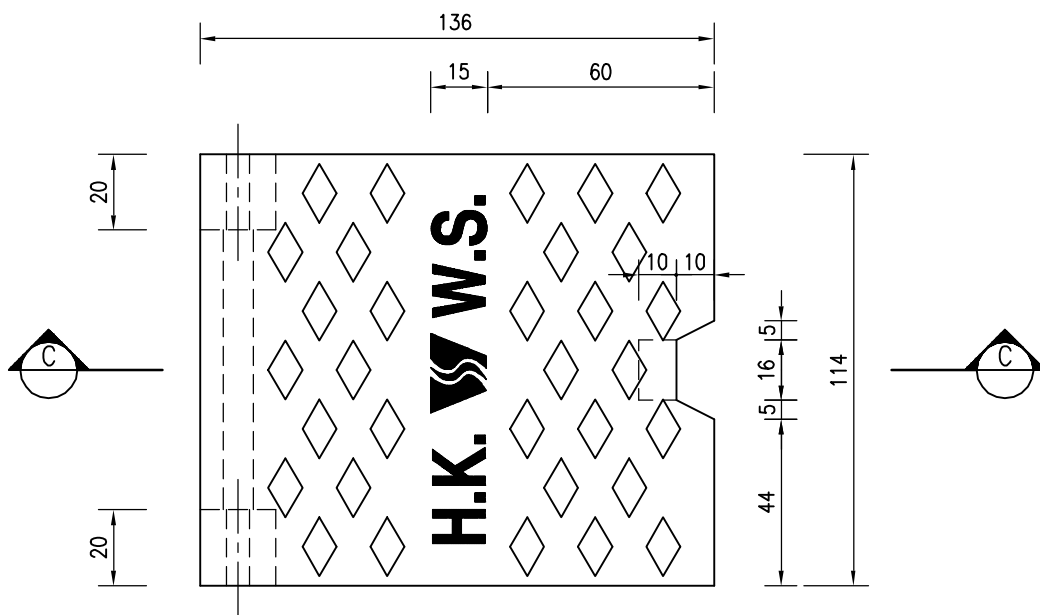
WSD 7.44B

(SHEET 1 OF 2)

CSWP



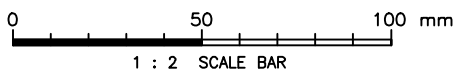
SECTION C - C



D.I. COVER

NOTES :

1. ALL DIMENSIONS ARE IN MILLIMETRES.
2. THIS DRAWING SHALL BE READ IN CONJUNCTION WITH DRG. NO. WSD 7.43.
3. FOR DETAILS OF WATER SUPPLIES DEPARTMENT LOGO REFER TO DRG. NO. WSD 7.17 (SHEET 1 OF 3).



Cad Ref. : WSD074402-B.dwg

LIGHT GRADE DUCTILE IRON
SURFACE BOX



水務署
Water Supplies Department

APPROVED	M.C. LEUNG AD/NW	DRAWING NO. WSD 7.44B (SHEET 2 OF 2)	CSWP
DATE	27/8/99		
SCALE	1 : 2		