

DISPLAY BOARD

Cad Ref. : WSD074201 - G.dwg

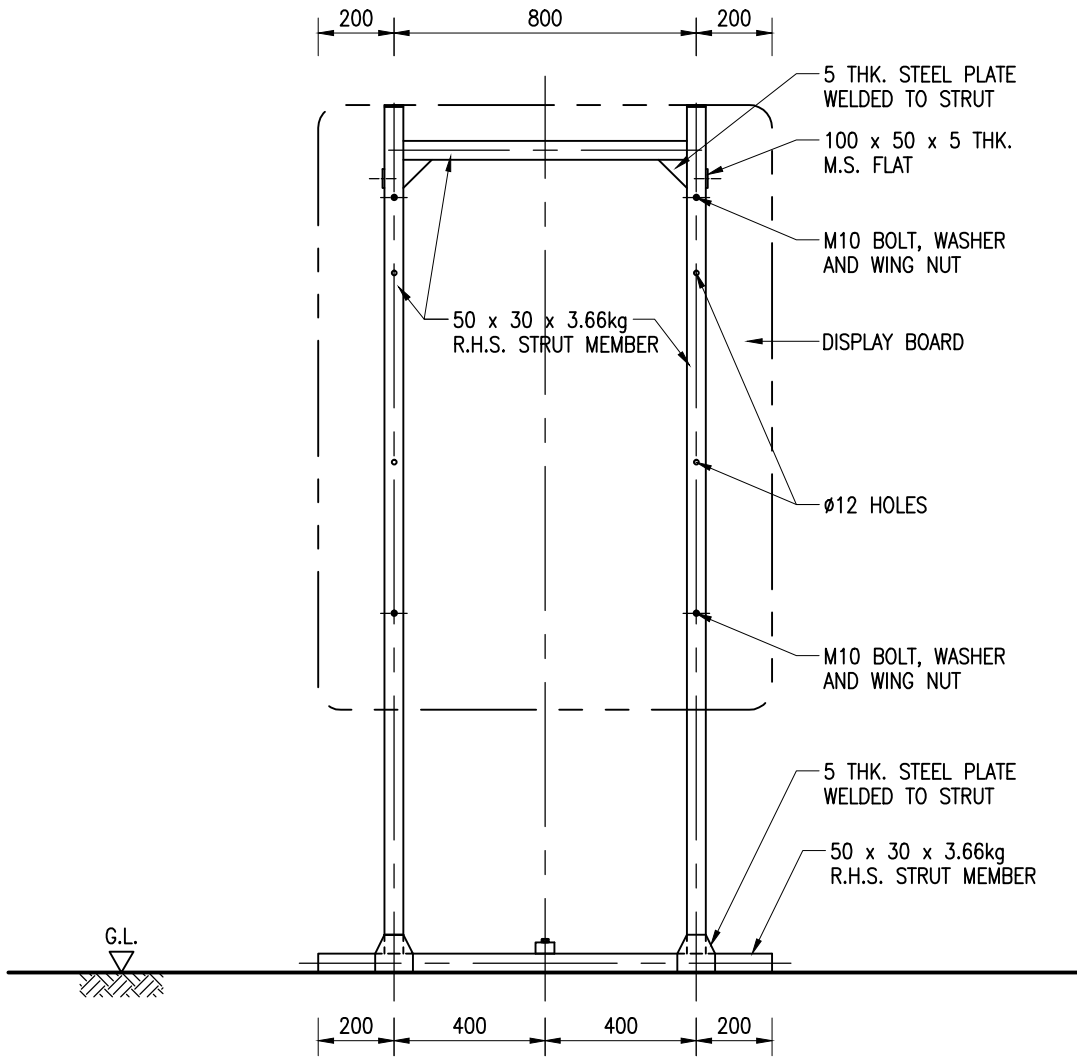
F	NOTES 4, 10 AND 12 AMENDED AND DRAWING TITLE REVISED	K.W. CHEUNG	25/9/15
E	NOTES 4 AND 10 AMENDED	C.M. LEE	16/5/12
D	GENERAL REVISION AND NOTES AMENDED	W.K. CHIU	19/4/07
C	GENERAL REVISION AND DETAILS OF SUPPORT ADDED	W.K. CHIU	21/1/04
B	GENERAL REVISION & RE-FORMATTED TO CSWP	W.K. CHIU	18/6/03
A	GENERAL REVISION	W.K. CHIU	21/8/00

G	GENERAL REVISION	S.K. YEUNG	10/11/15
---	------------------	------------	----------

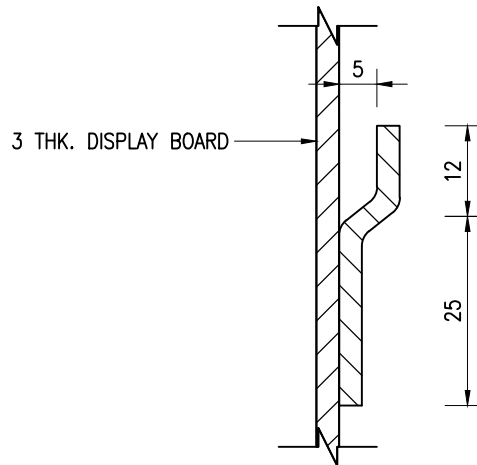
REF.	REVISION	APPROVED	DATE
------	----------	----------	------

DISPLAY BOARD FOR MOTORISTS EXPLAINING REASONS FOR IDLE ROADWORKS

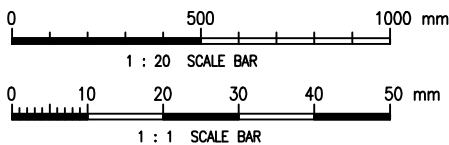
水務署 Water Supplies Department		DRAWING NO.	WSD 7.42G (SHEET 1 OF 4)
		APPROVED	
DATE	11/12/98		
SCALE	1 : 10		



ELEVATION
(WITH SUPPORT)
SCALE 1 : 20



SECTION A - A
SCALE 1 : 1



Cad Ref. : WSD074202-G.dwg

DISPLAY BOARD FOR MOTORISTS
EXPLAINING REASONS FOR
IDLE ROADWORKS



水務署
Water Supplies Department

APPROVED

M.C. LEUNG
AD/NW

DATE

11/12/98

SCALE

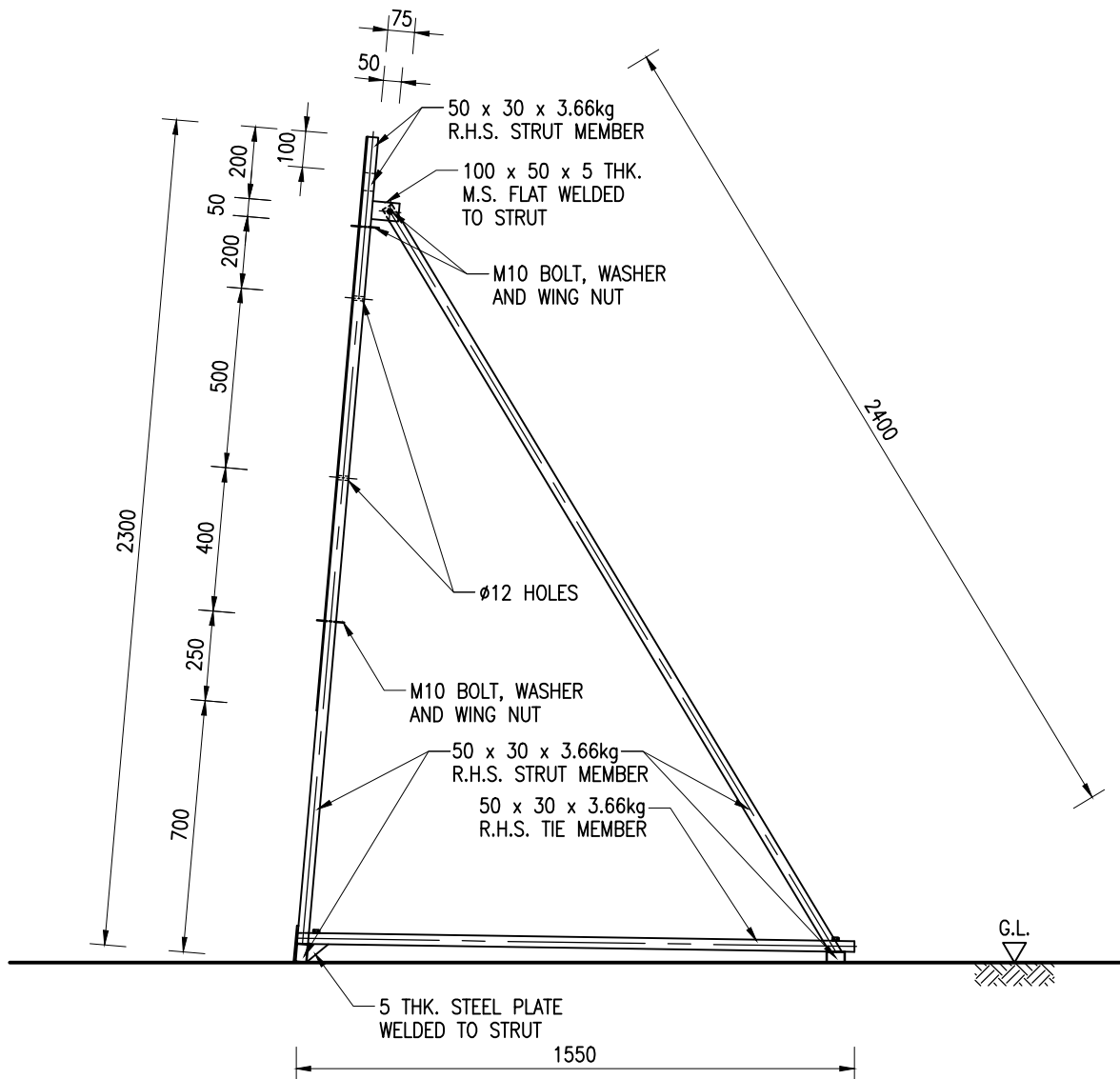
1 : 20 OR AS SHOWN

DRAWING NO.

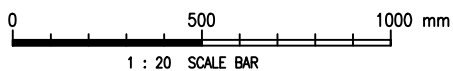
WSD 7.42G

(SHEET 2 OF 4)

CSWP



SIDE ELEVATION
(WITH SUPPORT)



Cad Ref. : WSD074203-G.dwg

DISPLAY BOARD FOR MOTORISTS
EXPLAINING REASONS FOR
IDLE ROADWORKS



水務署
Water Supplies Department

APPROVED

M.C. LEUNG
AD/NW

DRAWING NO.

CSWP

DATE

11/12/98

WSD 7.42G

SCALE

1 : 20

(SHEET 3 OF 4)


NOTES :

1. ALL DIMENSIONS ARE IN MILLIMETRES.
2. DISPLAY BOARD SHALL BE MADE OF 3mm THICK ALUMINIUM PLATE CONFORMING TO BS EN 485-1. THE SIGN FACE OF THE BOARD AND INSERT PLATES SHALL BE FINISHED WITH RETROREFLECTION MATERIALS OF CHROMATICITY CLASS CR1 AND COEFFICIENT OF RETROREFLECTION CLASS RA2 IN ACCORDANCE WITH BS EN 12899-1.
3. THE CODES OF THE PAINT COLOURS SHALL BE IN ACCORDANCE WITH BS 5252 AS FOLLOWS:
 (A) LOGO IN ULTRA MARINE BLUE - COLOUR CODE 20 E 53
 (B) ALL LETTERING AND BORDER IN BLACK - COLOUR CODE 00 E 53
 (C) BACKGROUND (INCLUDING INSERT PLATE) IN YELLOW - COLOUR CODE 08 E 51
4. INSERT PLATE SHALL GIVE APPROPRIATE REASON FOR APPARENTLY UNATTENDED WORK. FOR STANDARD DESCRIPTION OF THE REASON FOR UNATTENDED ROADWORKS, REFER TO THE 'LIST OF STANDARD REASONS FOR IDLE SITE' (WHICH MAY BE DOWNLOADED FROM HIGHWAYS DEPARTMENT'S WEBSITE).
5. FOR DETAILS OF WATER SUPPLIES DEPARTMENT LOGO, REFER TO DRAWING NO. WSD 7.17.
6. FOR DETAILS OF CARTOON, REFER TO DRAWING NO. WSD 7.52.
7. DATE SHALL BE SHOWN AS DAY/MONTH/YEAR. HEIGHT OF LETTERING SHALL BE 55mm.
8. TO BE REPLACED BY THE APPROPRIATE 24-HR ENQUIRY TELEPHONE NUMBER OF WSD SITE OFFICE / A TELEPHONE NUMBER THAT CAN FACILITATE PROMPT ACTION AND PROPER HANDLING OF COMPLAINT FOR CAPITAL WORKS CONTRACTS.
9. DISPLAY BOARD IS TO BE MOUNTED ON SUPPORT. SUPPORT SHALL BE BALLASTED WITH SANDBAGS.
10. SIZE OF LETTERINGS

	ENGLISH						CHINESE					NUMBER		
HEIGHT	55	50	45	40	35	27	70	65	45	38	35	120	55	50
WIDTH	44	40	36	32	28	22	70	65	45	38	35	96	44	40

11. THE INFORMATION ON THIS DISPLAY BOARD SHALL BE IN ENGLISH AND CHINESE IN PRINTED WORDS AND SHALL BE CLEAR AND LEGIBLE. FREE-HAND WRITING IS NOT PERMITTED.
12. FOR GUIDELINES ON THE PROVISION OF DISPLAY BOARDS FOR MOTORISTS EXPLAINING REASONS FOR APPARENTLY UNATTENDED SITES, PLEASE REFER TO THE CURRENT VERSION OF HIGHWAYS DEPARTMENT GUIDANCE NOTES NO. RD/GN/024 (WHICH MAY BE DOWNLOADED FROM HIGHWAYS DEPARTMENT'S WEBSITE).

Cad Ref. : WSD074204-G.dwg

DISPLAY BOARD FOR MOTORISTS EXPLAINING REASONS FOR IDLE ROADWORKS	 水務署 Water Supplies Department		
	APPROVED	M.C. LEUNG AD/NW	DRAWING NO.
	DATE	11/12/98	WSD 7.42G (SHEET 4 OF 4)
	SCALE	NOT APPLICABLE	
		CSWP	