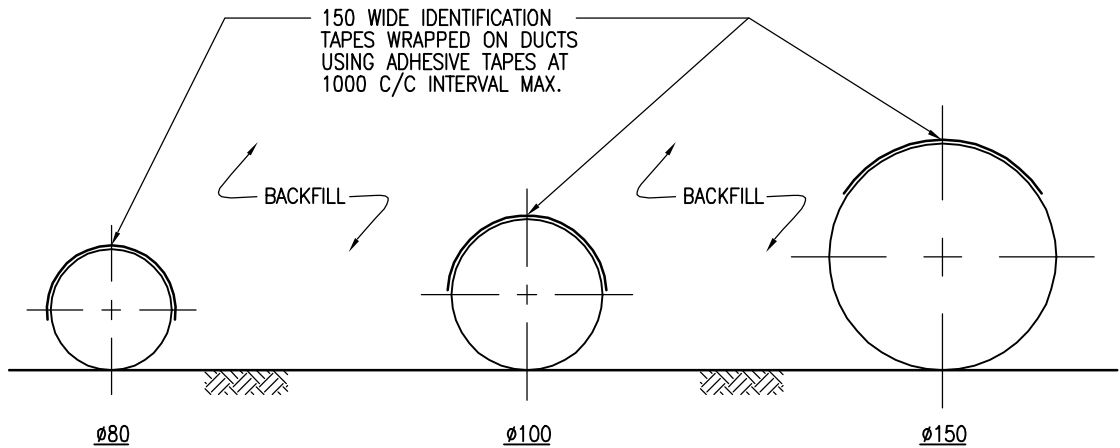


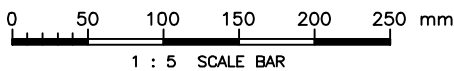
TYPICAL PATTERN OF IDENTIFICATION TAPE



TYPICAL CABLE DUCT CROSS-SECTIONS

NOTES :

1. ALL DIMENSIONS ARE IN MILLIMETRES.
2. IDENTIFICATION TAPES SHALL BE POLYTHENE SHEETING OF 0.1mm NOMINAL THICKNESS AND OF ULTRA MARINE BLUE COLOUR TO CODE 20E53 OF BS 5252F. WSD LOGO AND WORDING SHALL BE IN BLACK COLOUR TO CODE 00E53 OF BS 5252F.
3. IDENTIFICATION TAPES SHALL BE WRAPPED ON DUCT WITH THE PRINTED PATTERN FACING UPWARD. IDENTIFICATION TAPES SHALL TERMINATE AT EXTERNAL FACES OF CABLE DRAWPITS.



B	RE-FORMATTED TO CSWP	W.K. CHIU	14/11/03
A	GENERAL REVISION	W.K. CHIU	21/8/00
REF.	REVISION	APPROVED	DATE

Cad Ref. : WSD074101-B.dwg

IDENTIFICATION TAPES FOR
CABLE DUCTS



水務署
Water Supplies Department

APPROVED	M.C. LEUNG AD/NW	DRAWING NO. WSD 7.41B	CSWP
DATE	11/11/96		
SCALE	1 : 5		