
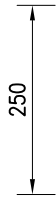
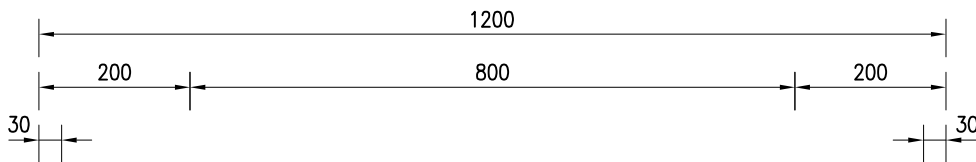


Cad Ref. : WSD074001 - F.dwg

| | | | |
|------|---|------------|----------|
| F | GENERAL REVISION | S.K. YEUNG | 10/11/15 |
| E | GENERAL REVISION AND NOTES AMENDED | W.K. CHIU | 19/4/07 |
| D | GENERAL REVISION AND DETAILS OF SUPPORT ADDED | W.K. CHIU | 21/1/04 |
| C | GENERAL REVISION & RE-FORMATTED TO CSWP | W.K. CHIU | 18/6/03 |
| B | GENERAL REVISION | W.K. CHIU | 21/8/00 |
| A | GENERAL REVISION | K.W. CHAN | 2/12/97 |
| REF. | REVISION | APPROVED | DATE |

PUBLICITY BOARD FOR MOTORISTS
TYPE 'A' AND TYPE 'B'

| | | | |
|---|-------------------|---|------|
|  水務署 Water Supplies Department | | DRAWING NO. | CSWP |
| APPROVED | K.P. MOK AD/NW | WSD 7.40F (SHEET 1 OF 5) | |
| DATE | 2/8/96 | | |
| SCALE | 1 : 10 | | |



Ø12 HOLE FOR M10 BOLT

R=60



水務署
WATER SUPPLIES DEPARTMENT

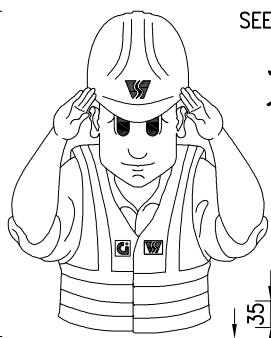


2824 5000

SEE NOTE 11

30 THK. BORDER

430



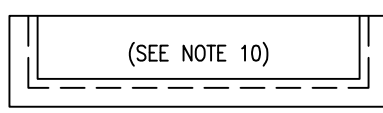
不便之處 謹此致歉

WE APOLOGIZE FOR ANY INCONVENIENCE CAUSED

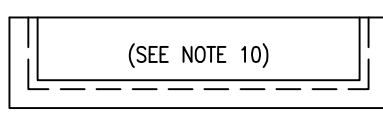
合約編號
CONTRACT NO. XX / WSD / YY

這段 This Section

開工日期
Commencement Date



預計竣工日期
Anticipated Completion Date

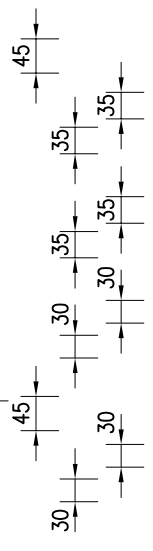
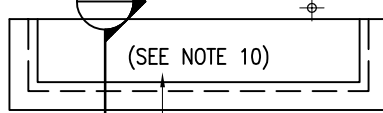


原定竣工日期
Original Completion Date



全段 All Sections

預計竣工日期
Anticipated Completion Date



3 THK. ALUMINIUM PLATE

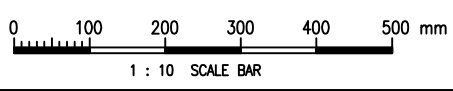
600



1.5 THK. INSERT PLATE



TYPE 'B'



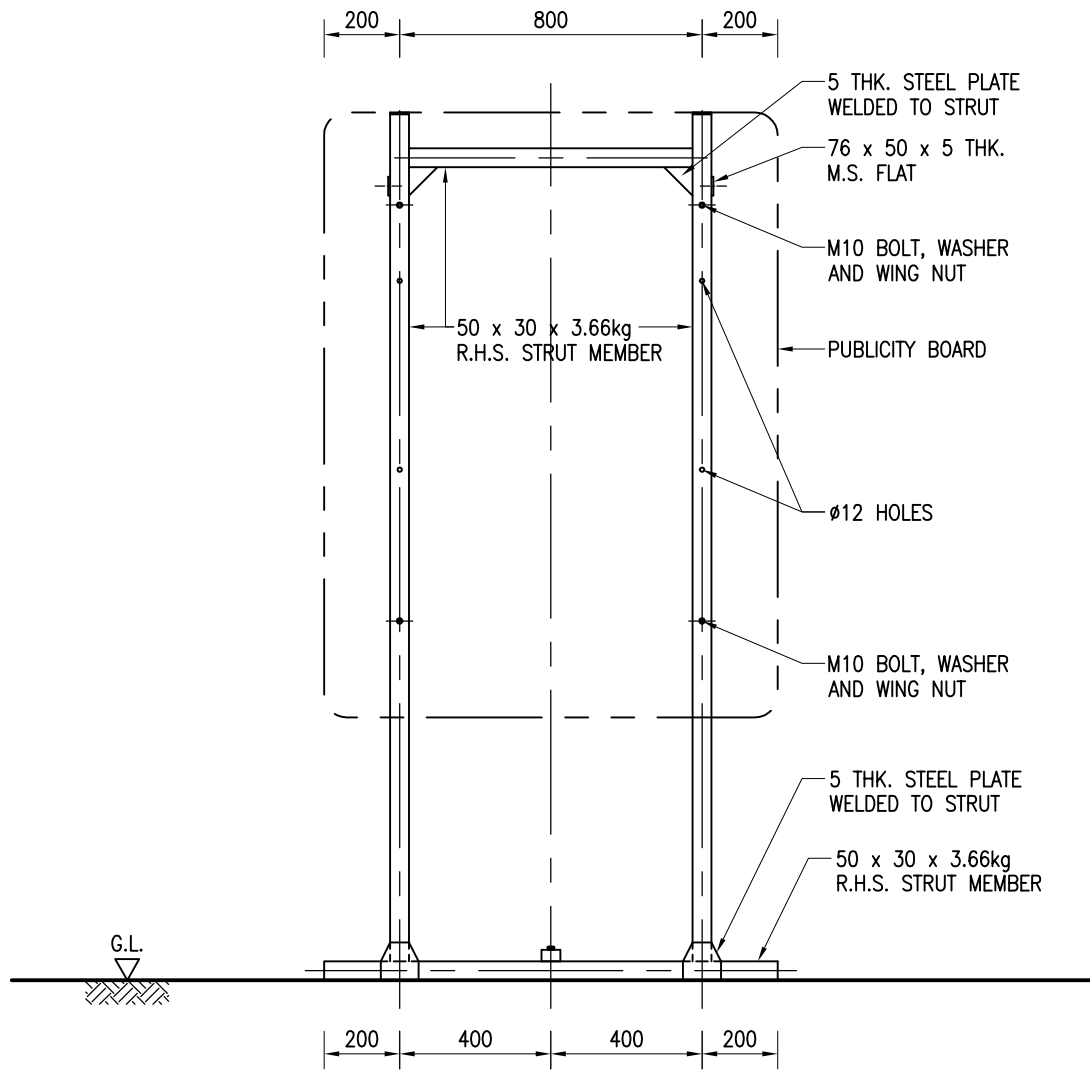
Cad Ref. : WSD074002-F.dwg

PUBLICITY BOARD FOR MOTORISTS
TYPE 'A' AND TYPE 'B'



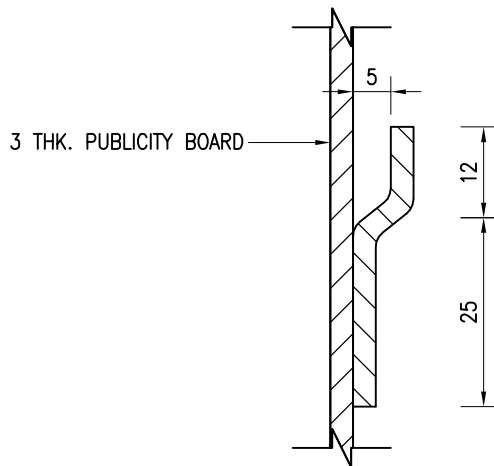
水務署
Water Supplies Department

| | | | |
|----------|-------------------|--|------|
| APPROVED | K.P. MOK AD/NW | DRAWING NO. WSD 7.40F (SHEET 2 OF 5) | CSWP |
| DATE | 2/8/96 | | |
| SCALE | 1 : 10 | | |



ELEVATION

(WITH SUPPORT)
SCALE 1 : 20



SECTION A - A

SCALE 1 : 1

0 500 1000 mm

1 : 20 SCALE BAR

0 10 20 30 40 50 mm

1 : 1 SCALE BAR

Cad Ref. : WSD074003-F.dwg

PUBLICITY BOARD FOR MOTORISTS
TYPE 'A' AND TYPE 'B'



水務署
Water Supplies Department

APPROVED

K.P. MOK
AD/NW

DATE

2/8/96

SCALE

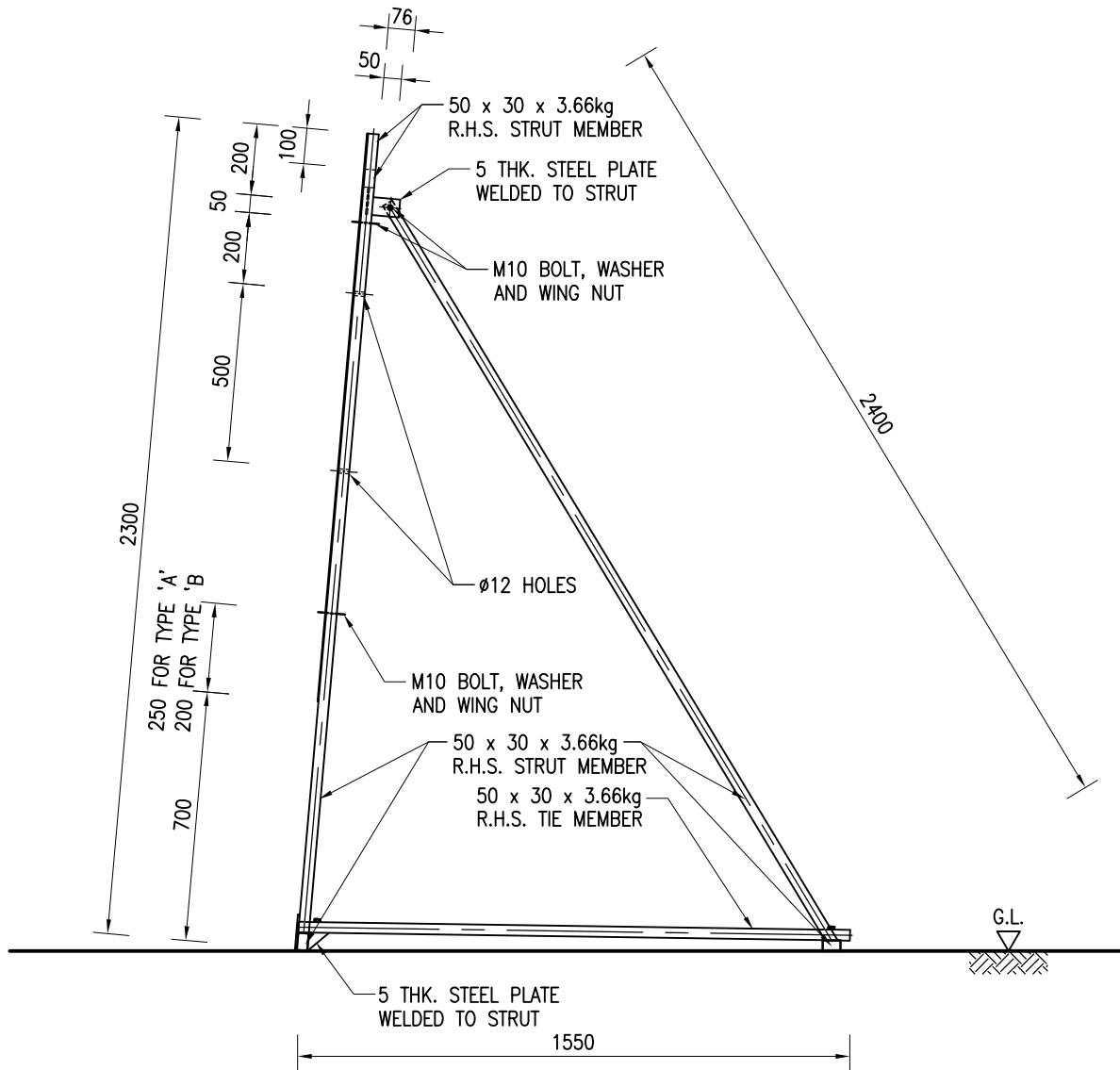
1 : 20 OR AS SHOWN

DRAWING NO.

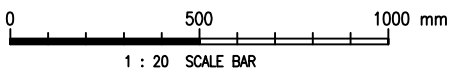
WSD 7.40F

(SHEET 3 OF 5)

CSWP



SIDE ELEVATION
(WITH SUPPORT)



Cad Ref. : WSD074004-F.dwg

PUBLICITY BOARD FOR MOTORISTS
TYPE 'A' AND TYPE 'B'



水務署
Water Supplies Department

APPROVED

K.P. MOK
AD/NW

DRAWING NO.

CSWP

DATE

2/8/96

WSD 7.40F

SCALE

1 : 20

(SHEET 4 OF 5)

NOTES :

1. ALL DIMENSIONS ARE IN MILLIMETRES.
2. DISPLAY BOARD SHALL BE MADE OF 3mm THICK ALUMINIUM PLATE CONFORMING TO BS EN 485-1. THE SIGN FACE OF THE BOARD AND INSERT PLATES SHALL BE FINISHED WITH RETROREFLECTION MATERIALS OF CHROMATICITY CLASS CR1 AND COEFFICIENT OF RETROREFLECTION CLASS RA2 IN ACCORDANCE WITH BS EN 12899-1.
3. THE CODES OF THE PAINT COLOURS SHALL BE IN ACCORDANCE WITH BS 5252 AS FOLLOWS:
 (A) LOGO IN ULTRA MARINE BLUE - COLOUR CODE 20 E 53
 (B) ALL LETTERING AND BORDER IN BLACK - COLOUR CODE 00 E 53
 (C) BACKGROUND (INCLUDING INSERT PLATE) IN YELLOW - COLOUR CODE 08 E 51
4. THE ORIGINAL COMPLETION DATE SHALL BE APPROVED BY THE ENGINEER.
5. THE ANTICIPATED COMPLETION DATE SHALL INDICATE THE BEST ESTIMATED DATE OF RE-OPENING THE ROAD (BUT NOT THE CONTRACTUAL COMPLETION DATE OR EXCAVATION PERMIT EXPIRY DATE) AND SHALL BE APPROVED BY THE ENGINEER.
6. THE ORIGINAL COMPLETION DATE OF THIS SECTION SHALL BE APPROVED BY THE ENGINEER.
7. THE ANTICIPATED COMPLETION DATE OF THIS SECTION SHALL INDICATE THE BEST ESTIMATED DATE OF RE-OPENING THIS SECTION OF ROAD (BUT NOT THE CONTRACTUAL COMPLETION DATE OR EXCAVATION PERMIT EXPIRY DATE) AND SHALL BE APPROVED BY THE ENGINEER.
8. FOR DETAILS OF WATER SUPPLIES DEPARTMENT LOGO, REFER TO DRAWING NO. WSD 7.17.
9. FOR DETAILS OF CARTOON, REFER TO DRAWING NO. WSD 7.52.
10. DATE SHALL BE SHOWN AS DAY/MONTH/YEAR. HEIGHT OF LETTERING SHALL BE 55mm, EXCEPT FOR THAT FOR ANTICIPATED COMPLETION DATE WHICH SHALL BE 70mm.
11. TO BE REPLACED BY THE APPROPRIATE 24-HR ENQUIRY TELEPHONE NUMBER OF WSD SITE OFFICE / A TELEPHONE NUMBER THAT CAN FACILITATE PROMPT ACTION AND PROPER HANDLING OF COMPLAINT FOR CAPITAL WORKS CONTRACTS.
12. PUBLICITY BOARD IS TO BE MOUNTED ON SUPPORT. SUPPORT SHALL BE BALLASTED WITH SANDBAGS.
13. SIZE OF LETTERINGS

| | ENGLISH | | | | | CHINESE | | | | | NUMBER | | | |
|--------|---------|----|----|----|----|---------|----|----|----|----|--------|----|----|----|
| HEIGHT | 50 | 45 | 40 | 35 | 30 | 70 | 65 | 45 | 35 | 30 | 120 | 70 | 55 | 50 |
| WIDTH | 40 | 36 | 32 | 28 | 24 | 70 | 65 | 45 | 35 | 30 | 96 | 56 | 44 | 40 |

14. THE INFORMATION ON THIS PUBLICITY BOARD SHALL BE IN ENGLISH AND CHINESE IN PRINTED WORDS AND SHALL BE CLEAR AND LEGIBLE. FREE-HAND WRITING IS NOT PERMITTED.
15. FOR GUIDELINES ON THE PROVISION OF PUBLICITY BOARDS FOR MOTORISTS AT ROADWORK AND UTILITIES SITES, PLEASE REFER TO THE CURRENT VERSION OF HIGHWAYS DEPARTMENT GUIDANCE NOTES NO. RD/GN/019 (WHICH MAY BE DOWNLOADED FROM HIGHWAYS DEPARTMENT'S WEBSITE).

Cad Ref. : WSD074005-F.dwg

PUBLICITY BOARD FOR MOTORISTS
TYPE 'A' AND TYPE 'B'



水務署
Water Supplies Department

APPROVED

K.P. MOK
AD/NW

DATE

2/8/96

SCALE

NOT APPLICABLE

DRAWING NO.

WSD 7.40F
(SHEET 5 OF 5)

CSWP