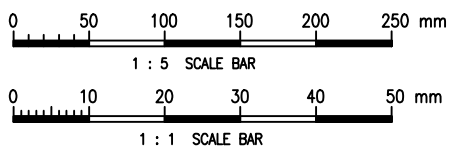
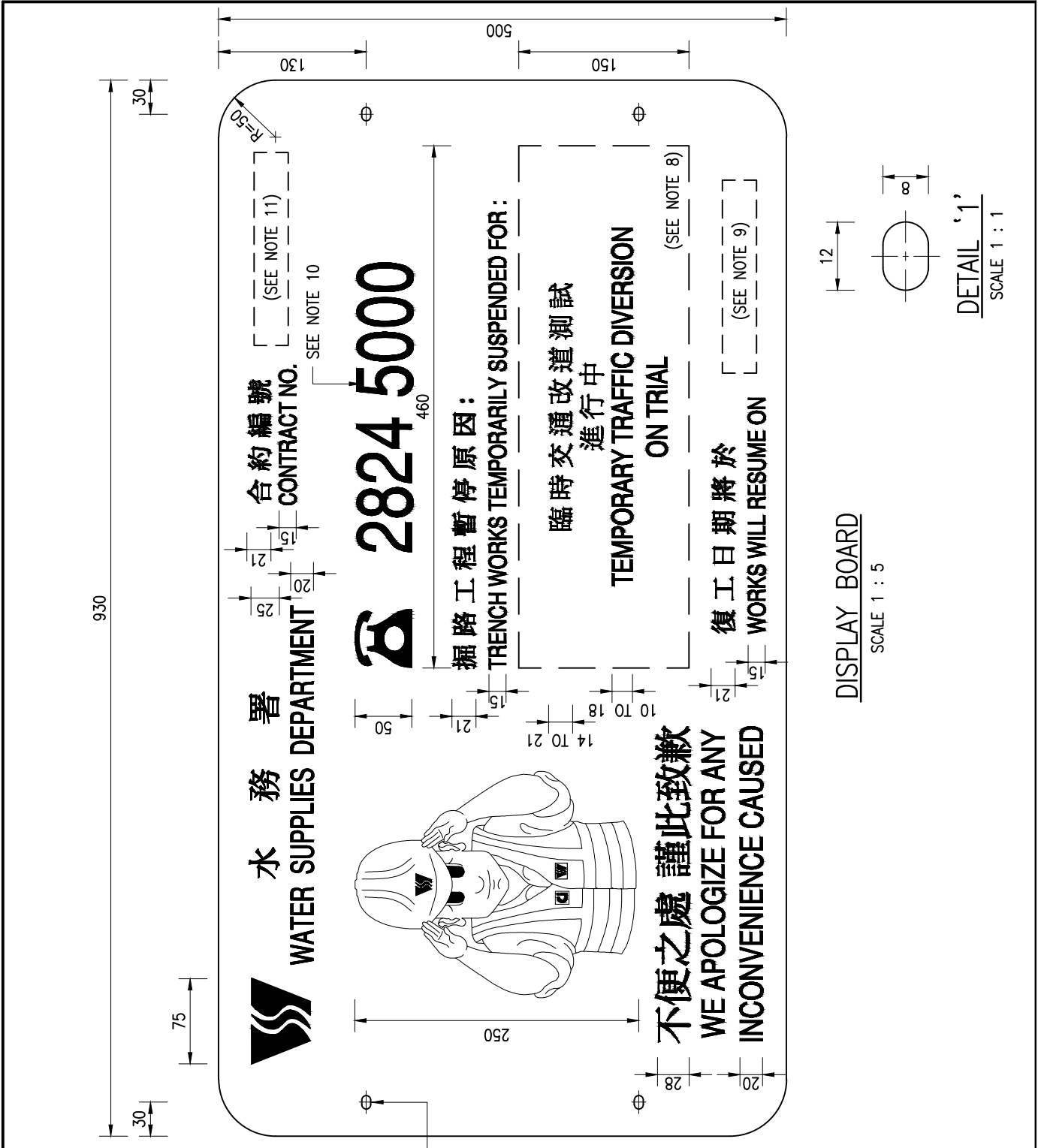
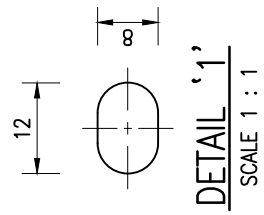


Cad Ref. : WSD073701-J.dwg



4 NOS. HOLE FOR M6 BOLT (SEE DETAIL '1')




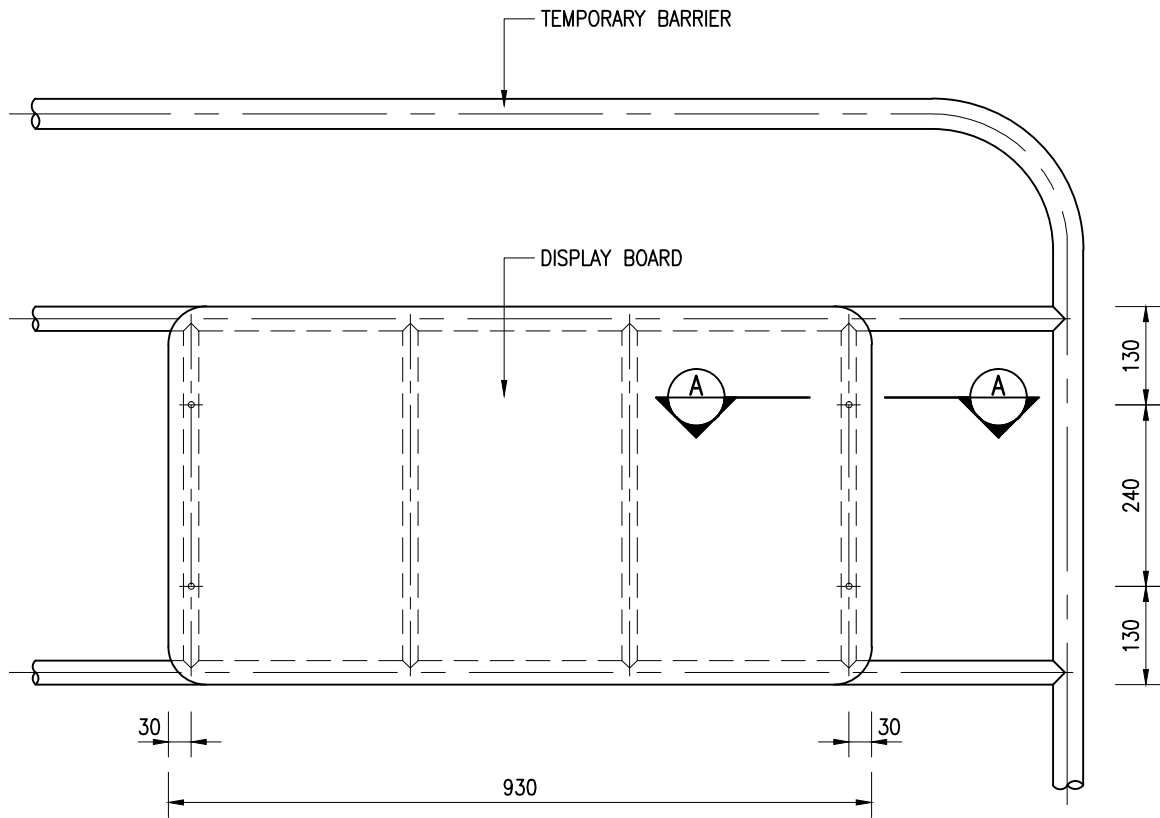
DISPLAY BOARD
SCALE 1 : 5

DETAIL '1'
SCALE 1 : 1

J	GENERAL REVISION	S.K. YEUNG	10/11/15
H	NOTES 8 & 14 AMENDED AND NOTES 15-18 ADDED AND DRAWING TITLE REVISED	K.W. CHEUNG	25/9/15
REF.	REVISION	APPROVED	DATE

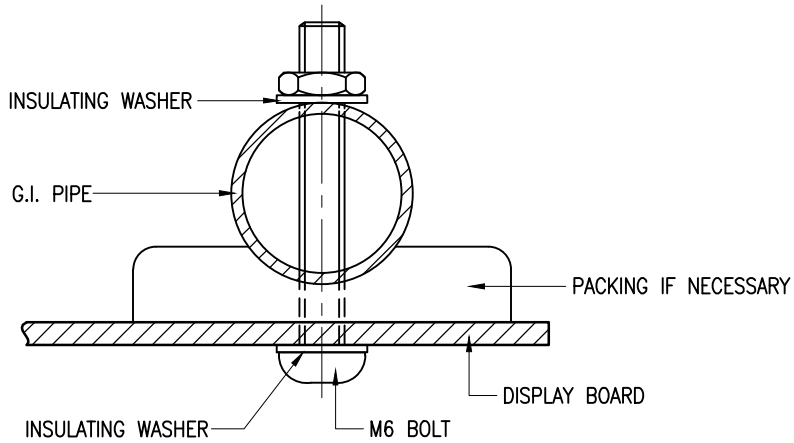
G	GENERAL REVISION	S.K. YEUNG	12/1/15
F	NOTES 8 AND 14 AMENDED	C.M. LEE	16/5/12
E	GENERAL REVISION AND NOTES AMENDED	W.K. CHIU	19/4/07
D	GENERAL REVISION	W.K. CHIU	21/1/04
C	GENERAL REVISION & RE-FORMATTED TO CSWP	W.K. CHIU	18/6/03
B	GENERAL REVISION	W.K. CHIU	20/9/00
A	NOTE 9 REVISED	K.W. CHAN	26/8/98
REF.	REVISION	APPROVED	DATE

SMALL DISPLAY BOARD EXPLAINING REASONS FOR IDLE ROADWORKS		 水務署 Water Supplies Department			
		APPROVED	K.P. MOK AD/NW	DRAWING NO.	CSWP
		DATE	15/11/94	WSD 7.37J (SHEET 1 OF 3)	
SCALE	1 : 5 OR AS SHOWN				



FRONT ELEVATION

SCALE 1 : 10



SECTION A - A

SCALE 1 : 1

0 100 200 300 400 500 mm

1 : 10 SCALE BAR

0 10 20 30 40 50 mm

1 : 1 SCALE BAR

Cad Ref. : WSD073702-J.dwg



水務署
Water Supplies Department

SMALL DISPLAY BOARD EXPLAINING
REASONS FOR IDLE ROADWORKS

APPROVED

K.P. MOK
AD/NW

DATE

15/11/94

SCALE

1 : 10 OR AS SHOWN

DRAWING NO.

WSD 7.37J

(SHEET 2 OF 3)

CSWP

NOTES :

1. ALL DIMENSIONS ARE IN MILLIMETRES.
2. THE INFORMATION ON THIS DISPLAY BOARD SHALL BE IN ENGLISH AND CHINESE IN PRINTED WORDS AND SHALL BE CLEAR AND LEGIBLE. FREE-HAND WRITING IS NOT PERMITTED.
3. THE CODES OF THE PAINT COLOURS SHALL BE IN ACCORDANCE WITH BS 5252 AS FOLLOWS:

(A) LOGO IN ULTRA MARINE BLUE	- COLOUR CODE 20 E 53
(B) ALL LETTERING AND LINES IN BLACK	- COLOUR CODE 00 E 53
(C) BACKGROUND IN LIGHT BLUE	- COLOUR CODE 18 E 50
4. FOR A WORK SITE (INCLUDING DECKED AREAS) LESS THAN 50 METRES IN LENGTH, ONE DISPLAY BOARD SHALL BE PROVIDED. FOR A WORK SITE (INCLUDING DECKED AREAS) LARGER THAN 50 METRES IN LENGTH, DISPLAY BOARDS SHALL BE PROVIDED AT THE ENDS OF THE SITE AND ALONG THE SITE AT A MAXIMUM SPACING OF 50 METRES.
5. DISPLAY BOARD SHALL BE MADE OF 3mm THICK ALUMINIUM PLATE CONFORMING TO BS EN 485-1. THE SIGN FACE OF THE BOARD SHALL BE FINISHED WITH RETROREFLECTION MATERIALS OF CHROMATICITY CLASS CR1 AND COEFFICIENT OF RETROREFLECTION CLASS RA2 IN ACCORDANCE WITH BS EN 12899-1.
6. INSULATING WASHERS SHALL BE MADE OF NON-METALLIC MATERIAL.
7. BOLTS SHALL BE DOME-HEADED AND STAINLESS STEEL TO BS EN 10088-1. OTHER SUITABLE BOLTS MAY BE USED AS APPROVED BY THE ENGINEER.
8. THE REASON FOR UNATTENDED TRENCH WORKS SHALL BE PAINTED ON A 460 x 150 ALUMINIUM PLATE MOUNTED ON THE BOARD USING BOLTS AND NUTS. FOR STANDARD DESCRIPTION OF THE REASON FOR UNATTENDED TRENCH WORKS, REFER TO THE 'LIST OF STANDARD REASONS FOR IDLE SITE' (WHICH MAY BE DOWNLOADED FROM HIGHWAYS DEPARTMENT'S WEBSITE).
9. DATE SHALL BE SHOWN AS DAY/MONTH/YEAR ON A 170 x 30 ALUMINIUM PLATE MOUNTED ON THE BOARD USING BOLTS AND NUTS. HEIGHT OF LETTERING SHALL BE 20mm.
10. TO BE REPLACED BY THE APPROPRIATE 24-HR ENQUIRY TELEPHONE NUMBER OF WSD SITE OFFICE / A TELEPHONE NUMBER THAT CAN FACILITATE PROMPT ACTION AND PROPER HANDLING OF COMPLAINT FOR CAPITAL WORKS CONTRACTS.
11. CONTRACT NUMBER SHALL BE SPECIFIED ON A 170 x 30 ALUMINIUM PLATE MOUNTED ON THE BOARD USING BOLTS AND NUTS. HEIGHT OF LETTERING SHALL BE 20mm.
12. FOR DETAILS OF WATER SUPPLIES DEPARTMENT LOGO, REFER TO DRAWING NO. WSD 7.17.
13. FOR DETAILS OF CARTOON, REFER TO DRAWING NO. WSD 7.52.
14. SIZE OF LETTERINGS

	ENGLISH					CHINESE				NUMBER	
HEIGHT	20	18	15	12	10	28	25	21	14	50	20
WIDTH	16	14	12	10	8	28	25	21	14	40	16

15. THE DISPLAY BOARD SHALL BE DISPLAYED AT A PROMINENT LOCATION AND ORIENTED TOWARDS PEDESTRIANS FOR THE PUBLIC'S REFERENCE.
16. THE DISPLAY BOARD SHALL BE SECURELY MOUNTED ON A STABLE STRUCTURE (e.g. TEMPORARY BARRIER, HOARDING OR RAILING).
17. USING PLASTIC BACKING PLATE INSTEAD OF ALUMINIUM BACKING PLATE IS PERMITTED. THE FACE OF THE PLASTIC DISPLAY BOARD SHALL NOT SHOW SIGNS OF DETERIORATION, SUCH AS CRACKING, SCALING, BLISTERING, DELAMINATION AND CORROSION.

Cad Ref. : WSD073703-J.dwg

SMALL DISPLAY BOARD EXPLAINING REASONS FOR IDLE ROADWORKS



水務署
Water Supplies Department

APPROVED	K.P. MOK AD/NW	DRAWING NO.	CSWP
DATE	15/11/94	WSD 7.37J (SHEET 3 OF 3)	
SCALE	NOT APPLICABLE		