

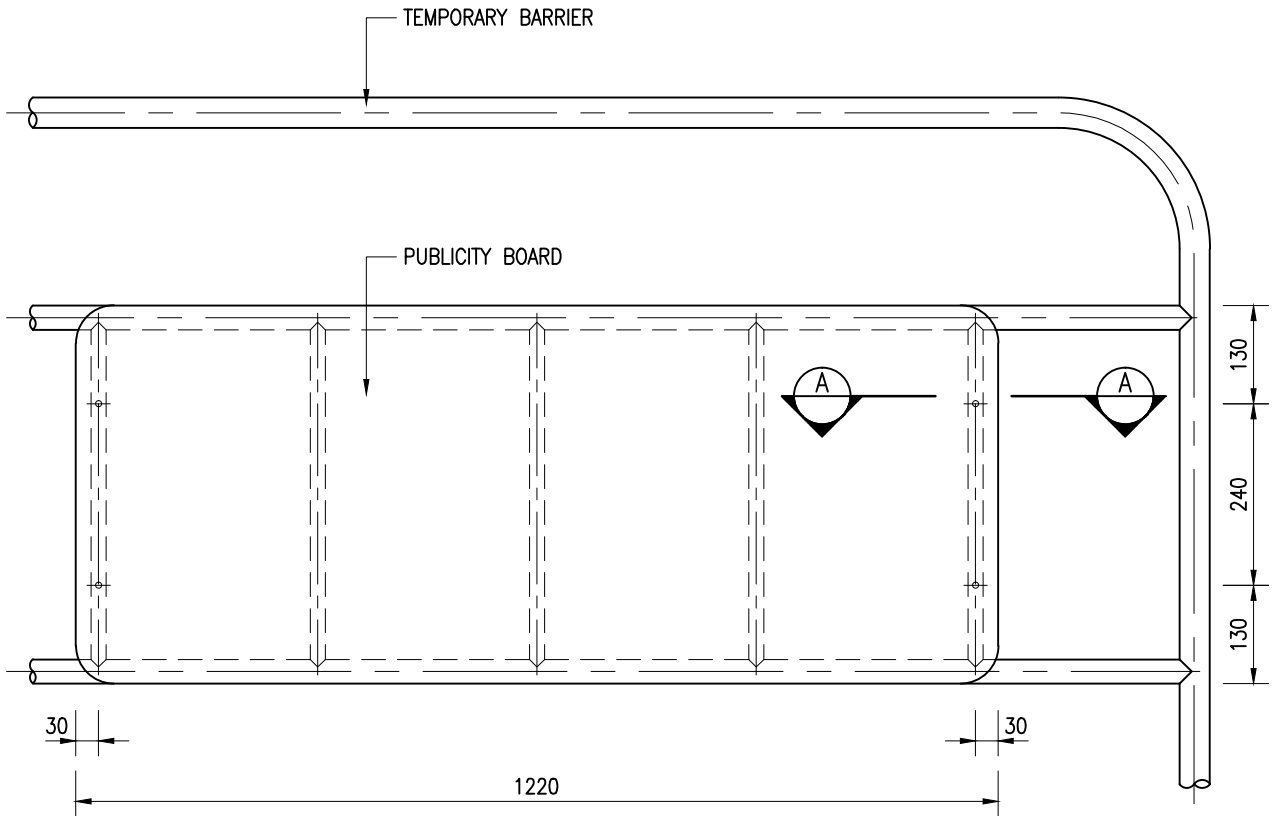
G	GENERAL REVISION	S.K. YEUNG	10/11/15
F	GENERAL REVISION	S.K. YEUNG	12/1/15

E	GENERAL REVISION AND NOTES REVISED	W.K. CHIU	19/4/07
D	PUBLICITY BOARD TYPE 'B' ADDED AND NOTES REVISED	W.K. CHIU	21/1/04
C	GENERAL REVISION & RE-FORMATTED TO CSWP	W.K. CHIU	18/6/03
B	GENERAL REVISION	W.K. CHIU	20/9/00
A	GENERAL REVISION	K.W. CHAN	28/10/96
REF.	REVISION	APPROVED	DATE

PUBLICITY BOARD FOR TRENCH WORKS	水務署 Water Supplies Department	
	APPROVED	K.P. MOK AD/NW
	DATE	4/5/93
SCALE	1 : 1 OR AS SHOWN	DRAWING NO. CSWP WSD 7.36G (SHEET 1 OF 4)

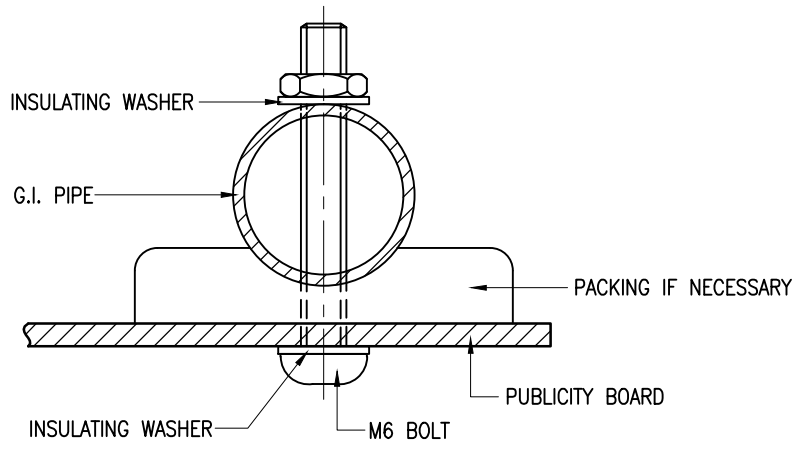
PUBLICITY BOARD TYPE 'A'
N.T.S.

DETAIL '1'
SCALE 1 : 1



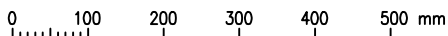
FRONT ELEVATION

SCALE 1 : 10

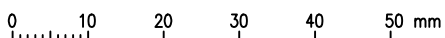


SECTION A - A

SCALE 1 : 1



1 : 10 SCALE BAR



1 : 1 SCALE BAR

Cad Ref. : WSD073603-G.dwg

**PUBLICITY BOARD FOR
TRENCH WORKS**



**水務署
Water Supplies Department**

APPROVED

K.P. MOK
AD/NW

DATE

4/5/93

SCALE

1 : 10 OR AS SHOWN

DRAWING NO.

WSD 7.36G

(SHEET 3 OF 4)

CSWP

NOTES :

1. ALL DIMENSIONS ARE IN MILLIMETRES.
2. THE INFORMATION ON THIS PUBLICITY BOARD SHALL BE IN ENGLISH AND CHINESE IN PRINTED WORDS AND SHALL BE CLEAR AND LEGIBLE. FREE-HAND WRITING IS NOT PERMITTED.
3. THE CODES OF THE PAINT COLOURS SHALL BE IN ACCORDANCE WITH BS 5252 AS FOLLOWS:

(A) LOGO IN ULTRA MARINE BLUE	- COLOUR CODE 20 E 53
(B) ALL LETTERING AND LINES IN BLACK	- COLOUR CODE 00 E 53
(C) BACKGROUND IN LIGHT BLUE	- COLOUR CODE 18 E 50
4. FOR A WORK SITE (INCLUDING DECKED AREAS) LESS THAN 50 METRES IN LENGTH, ONE DISPLAY BOARD SHALL BE PROVIDED. FOR A WORK SITE (INCLUDING DECKED AREAS) LARGER THAN 50 METRES IN LENGTH, DISPLAY BOARDS SHALL BE PROVIDED AT THE ENDS OF THE SITE AND ALONG THE SITE AT A MAXIMUM SPACING OF 50 METRES.
5. PUBLICITY BOARD SHALL BE MADE OF 3mm THICK ALUMINIUM PLATE CONFORMING TO BS EN 485-1. THE SIGN FACE OF THE BOARD SHALL BE FINISHED WITH RETROREFLECTION MATERIALS OF CHROMATICITY CLASS CR1 AND COEFFICIENT OF RETROREFLECTION CLASS RA2 IN ACCORDANCE WITH BS EN 12899-1.
6. INSULATING WASHERS SHALL BE MADE OF NON-METALLIC MATERIAL.
7. BOLTS SHALL BE DOME-HEADED AND STAINLESS STEEL TO BS EN 10088-1. OTHER SUITABLE BOLTS MAY BE USED AS APPROVED BY THE ENGINEER.
8. DESCRIPTION OF WORKS SHALL BE PAINTED ON A 350 x 40 ALUMINIUM PLATE AND MOUNTED ON THE BOARD USING BOLTS AND NUTS. DESCRIPTION OF WORKS MAY BE : 'LAYING OF WATER MAINS' IN ENGLISH AND '敷設水管工程' IN CHINESE OR ANY OTHER AS APPROVED BY THE ENGINEER. MINIMUM HEIGHT OF LETTERING SHALL BE 12mm FOR ENGLISH AND 21mm FOR CHINESE.
9. PLASTIC TRANSPARENT PLATE SHALL BE MOUNTED ON THE PUBLICITY BOARD USING BOLTS AND NUTS AT SIX LOCATIONS WITH SUFFICIENT WASHERS BETWEEN THE PLATE AND THE BOARD TO PROVIDE SPACE FOR INSERTING THE EXCAVATION PERMIT.
10. DATE SHALL BE SHOWN AS DAY/MONTH/YEAR ON A 170 x 30 ALUMINIUM PLATE MOUNTED ON THE BOARD USING BOLTS AND NUTS. HEIGHT OF LETTERING SHALL BE 20mm.
11. TO BE REPLACED BY THE APPROPRIATE 24-HR ENQUIRY TELEPHONE NUMBER OF WSD SITE OFFICE / A TELEPHONE NUMBER THAT CAN FACILITATE PROMPT ACTION AND PROPER HANDLING OF COMPLAINT FOR CAPITAL WORKS CONTRACTS.
12. CONTRACT NUMBER SHALL BE SPECIFIED ON A 170 x 30 ALUMINIUM PLATE MOUNTED ON THE BOARD USING BOLTS AND NUTS. HEIGHT OF LETTERING SHALL BE 20mm.
13. FOR DETAILS OF WATER SUPPLIES DEPARTMENT LOGO, REFER TO DRAWING NO. WSD 7.17.
14. FOR DETAILS OF CARTOON, REFER TO DRAWING NO. WSD 7.52.
15. THE ORIGINAL COMPLETION DATE SHALL BE APPROVED BY THE ENGINEER.
16. THE ANTICIPATED COMPLETION DATE SHALL BE THE BEST ESTIMATED DATE OF RE-OPENING THE ROAD (BUT NOT THE CONTRACTUAL COMPLETION DATE OR EXCAVATION PERMIT EXPIRY DATE) AND SHALL BE APPROVED BY THE ENGINEER.
17. THE ORIGINAL COMPLETION DATE OF THIS SECTION SHALL BE APPROVED BY THE ENGINEER.
18. THE ANTICIPATED COMPLETION DATE OF THIS SECTION SHALL BE THE BEST ESTIMATED DATE OF RE-OPENING THIS SECTION OF ROAD (BUT NOT THE CONTRACTUAL COMPLETION DATE OR EXCAVATION PERMIT EXPIRY DATE) AND SHALL BE APPROVED BY THE ENGINEER.
19. SIZE OF LETTERINGS

	ENGLISH			CHINESE				NUMBER	
HEIGHT	20	15	12	28	25	21	14	50	20
WIDTH	16	12	10	28	25	21	14	40	16
20. THE DISPLAY BOARD SHALL BE SECURELY MOUNTED ON A STABLE STRUCTURE (e.g. TEMPORARY BARRIER, HOARDING OR RAILING).
21. USING PLASTIC BACKING PLATE INSTEAD OF ALUMINIUM BACKING PLATE IS PERMITTED. THE FACE OF THE PLASTIC DISPLAY BOARD SHALL NOT SHOW SIGNS OF DETERIORATION, SUCH AS CRACKING, SCALING, BLISTERING, DELAMINATION AND CORROSION.

Cad Ref. : WSD073604-G.dwg

<p>PUBLICITY BOARD FOR TRENCH WORKS</p>	<p style="margin: 0;">水務署 Water Supplies Department</p>			
	APPROVED	K.P. MOK AD/NW	DRAWING NO.	CSWP
	DATE	4/5/93	<p style="font-size: 1.2em; margin: 0;">WSD 7.36G (SHEET 4 OF 4)</p>	
	SCALE	NOT APPLICABLE		