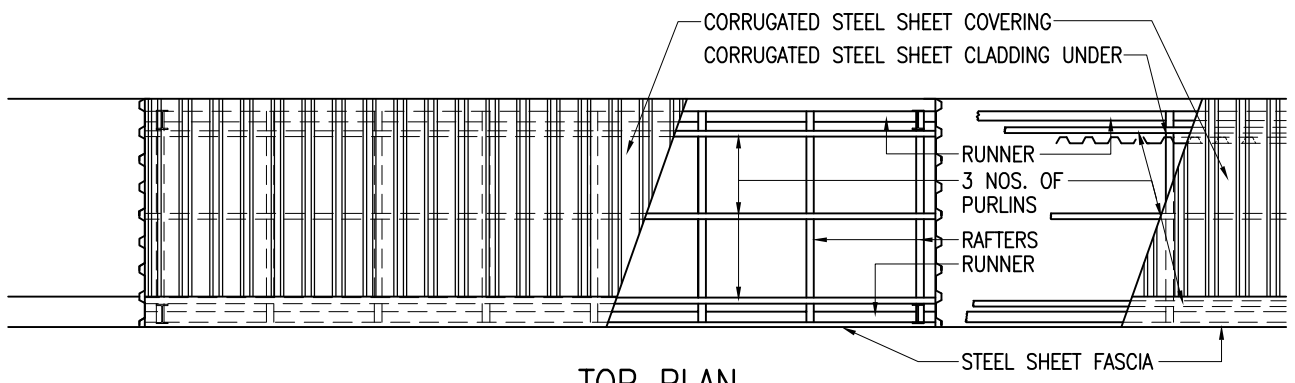
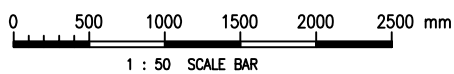


FRONT ELEVATION



TOP PLAN



Cad Ref. : WSD073501 - D.dwg

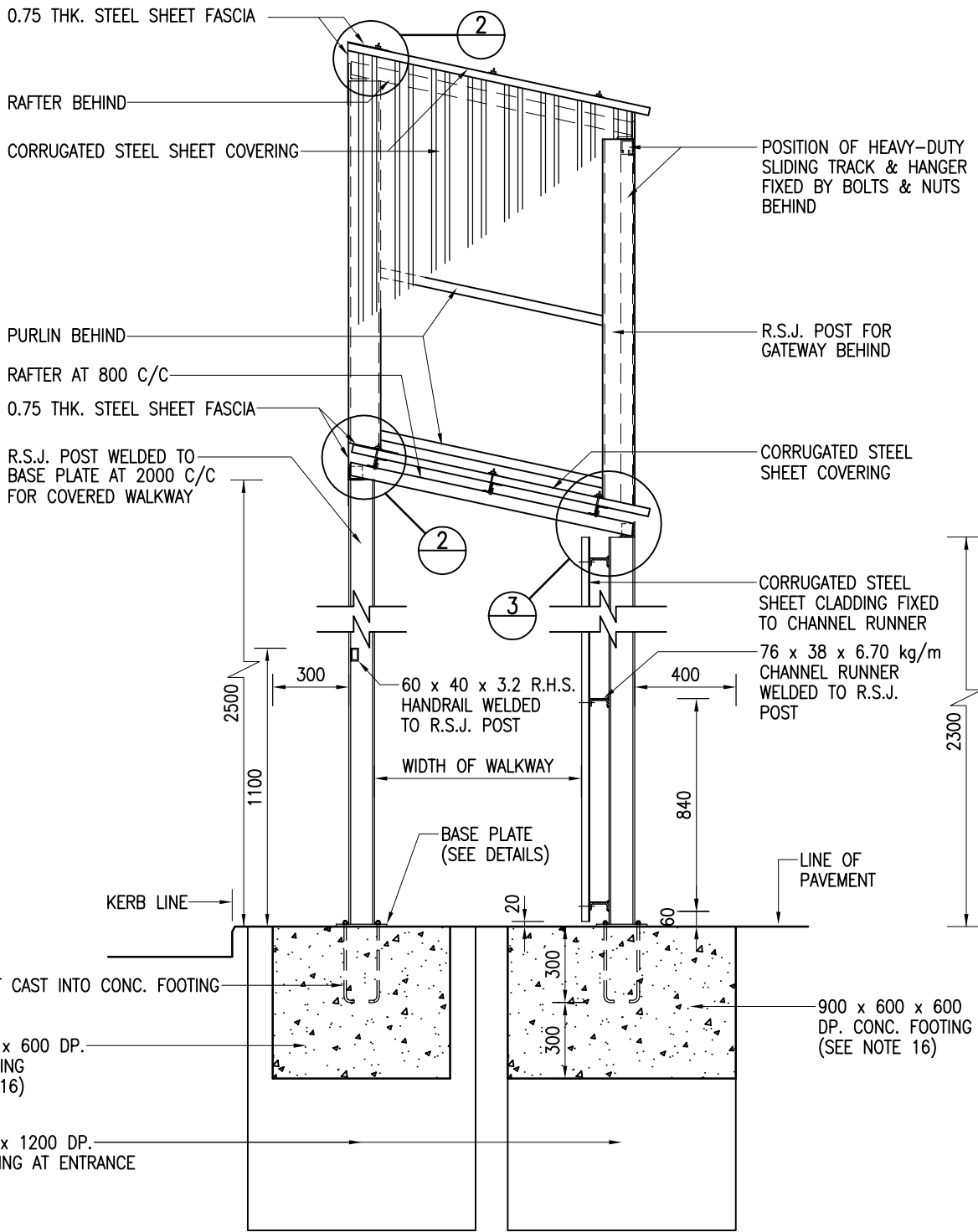
D	SAVE WATER LOGO PLATE ADDED	C.M. LEE	7/6/12
C	CONSTRUCTION INDUSTRY LOGO PLATE ADDED	C.M. LEE	28/7/11
B	I-SECTION POST REPLACED BY R.S.J. AND RE-FORMATTED TO CSWP	W.K. CHIU	14/11/03
A	MATERIAL OF HOARDING REVISED	W.K. CHIU	10/11/99
REF.	REVISION	APPROVED	DATE

HOARDING TYPE II

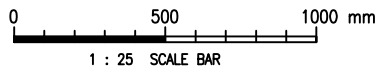


水務署
Water Supplies Department

APPROVED	G.C. LEE AD/NW	DRAWING NO.	CSWP
DATE	9/6/92	WSD 7.35D	(SHEET 1 OF 5)
SCALE	1 : 50		



WIDTH OF WALKWAY	
PAVEMENT WIDTH	WIDTH
UP TO 2000	1100
2000 TO 2500	1400
OVER 2500	2000



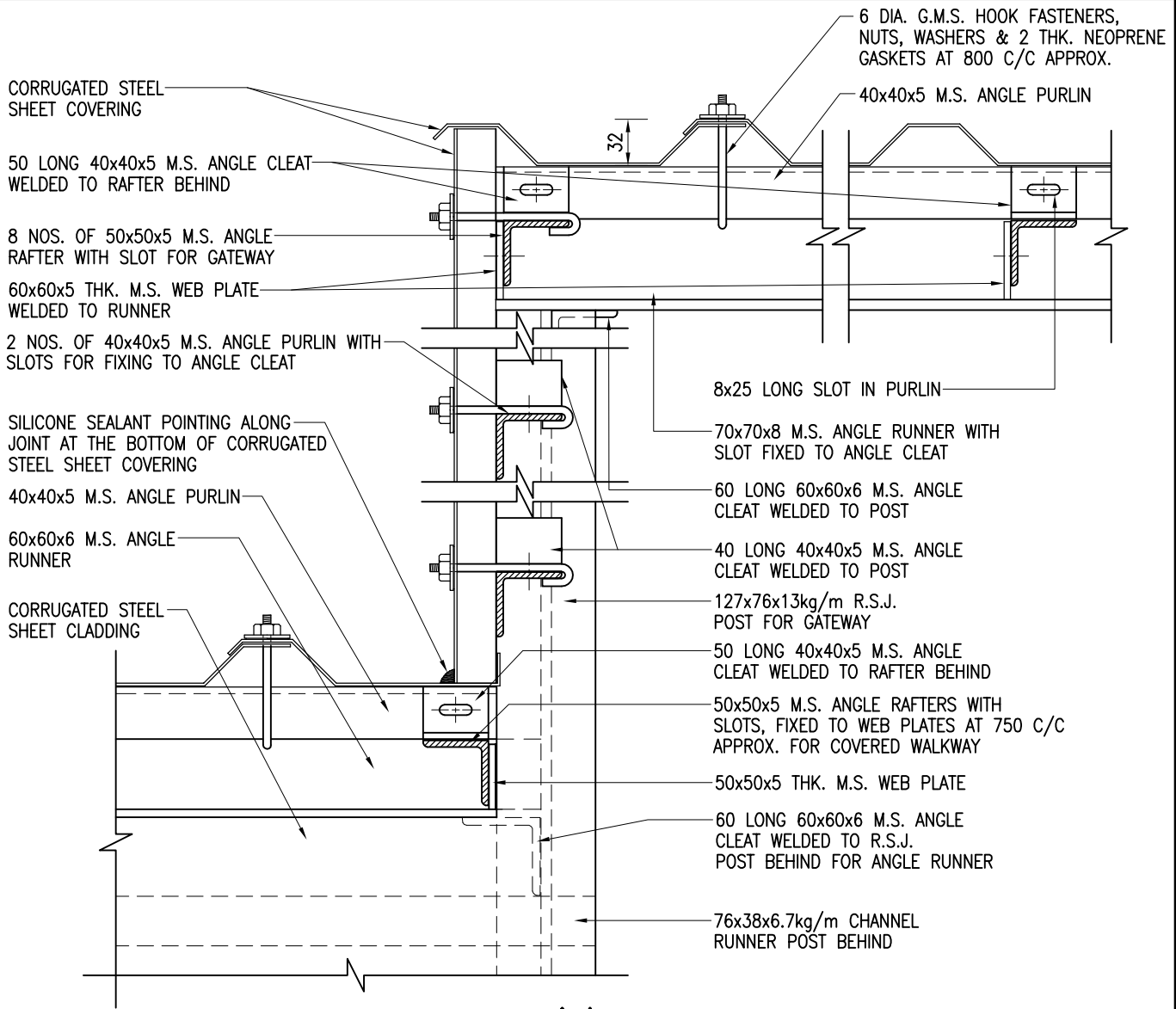
Cad Ref. : WSD073502-D.dwg

HOARDING TYPE II

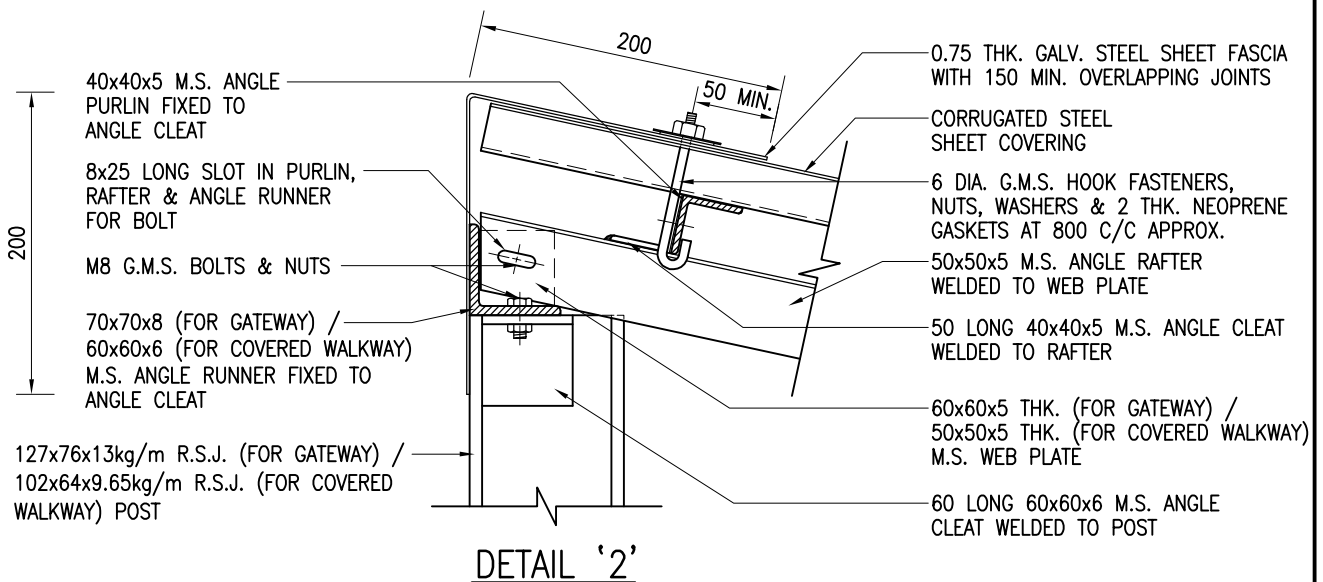


水務署
Water Supplies Department

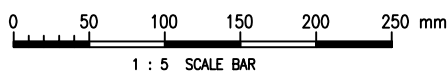
APPROVED	G.C. LEE AD/NW	DRAWING NO.	CSWP WSD 7.35D (SHEET 2 OF 5)
DATE	9/6/92		
SCALE	1 : 25		



DETAIL '1'



DETAIL '2'



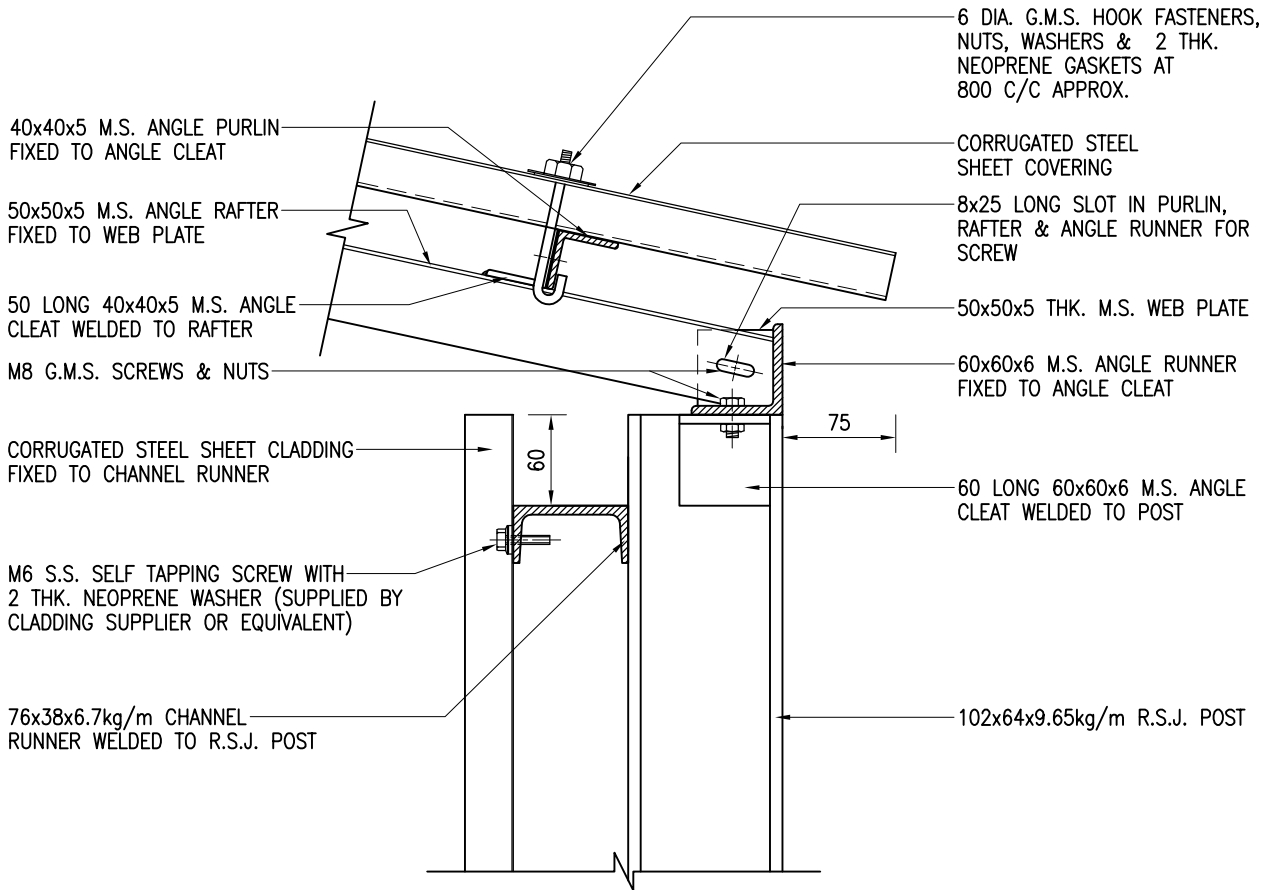
Cad Ref. : WSD073503-D.dwg

HOARDING TYPE II

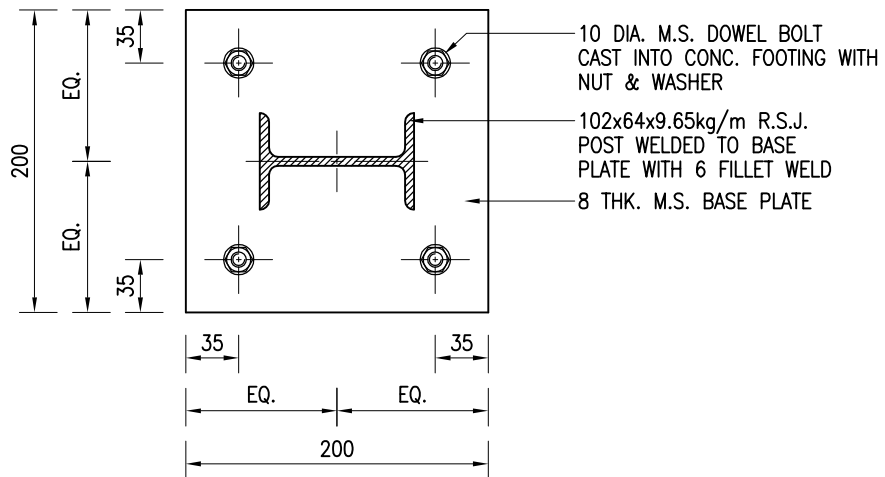


水務署
Water Supplies Department

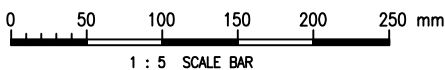
APPROVED	G.C. LEE AD/NW	DRAWING NO.	CSWP
DATE	9/6/92	WSD 7.35D	
SCALE	1 : 5	(SHEET 3 OF 5)	



DETAIL '3'



BASE PLATE



Cad Ref. : WSD073504-D.dwg

HOARDING TYPE II



水務署
Water Supplies Department

APPROVED

G.C. LEE
AD/NW

DATE

9/6/92

SCALE

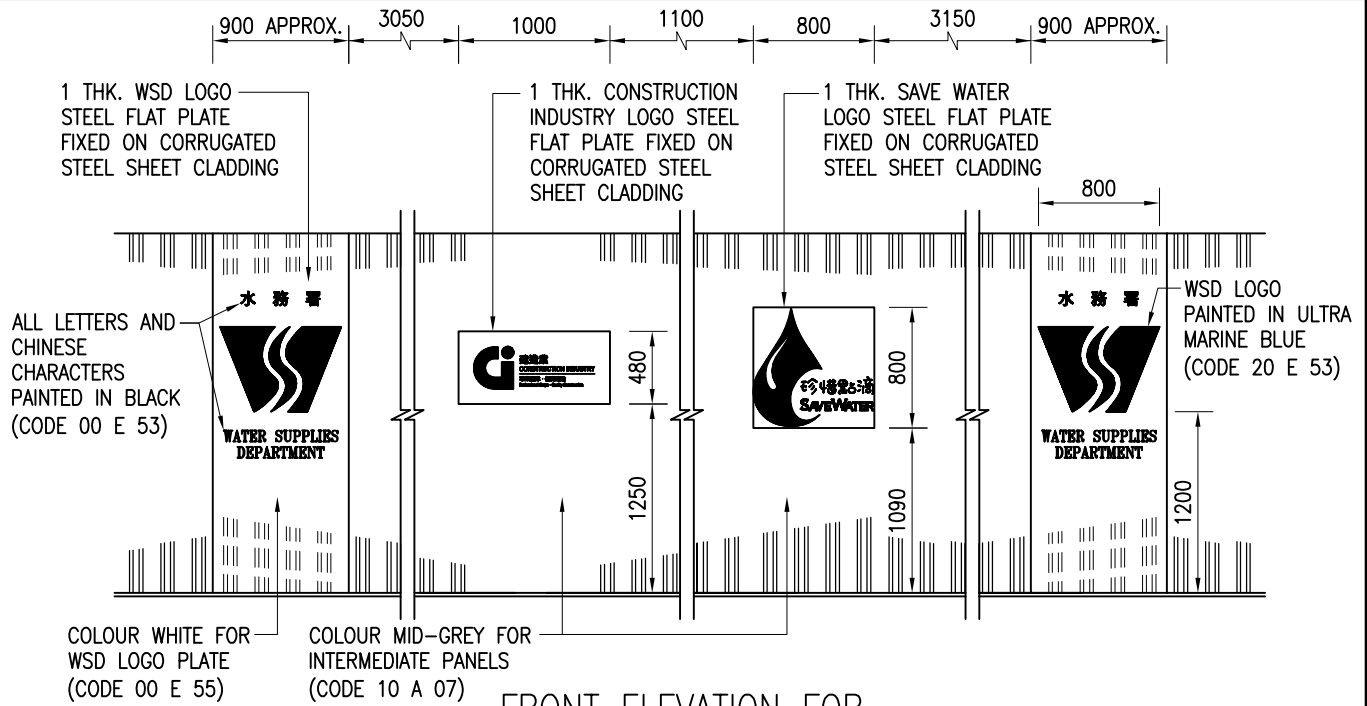
1 : 5

DRAWING NO.

WSD 7.35D

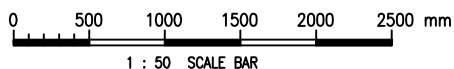
(SHEET 4 OF 5)

CSWP



NOTES :

1. ALL DIMENSIONS ARE IN MILLIMETRES.
2. POSITION OF HOARDING BOARD SHALL BE AS SHOWN ON CONTRACT DRAWING.
3. SLIDING TRACK AND HANGERS FOR GATE SHALL BE COUNCIL END-FOIL 305, HENDERSON SLIDING DOOR GEAR OR SIMILAR APPROVED.
4. LIGHTING INSTALLATIONS SHALL BE PROVIDED AND DESIGNED ACCORDING TO THE RECOMMENDATIONS GIVEN IN SECTION 2 OF THE PUBLIC LIGHTING DESIGN MANUAL OF HIGHWAYS DEPARTMENT, AS CONSIDERED TO BE NECESSARY BY THE ENGINEER.
5. ALL COLOUR CODES SHOWN ARE TO BS 5252.
6. FOR WSD LOGO AND LETTERS SHOWN ON WSD LOGO PLATE, REFER TO DRAWING NO. WSD 7.17.
7. FOR CONSTRUCTION INDUSTRY LOGO PLATE AND SAVE WATER LOGO PLATE, REFER TO DRAWING NO. WSD 7.34.
8. CONCRETE FOR FOOTING SHALL BE GRADE 20/20.
9. ALL WELDS SHALL BE 6 mm CONTINUOUS FILLET WELD UNLESS OTHERWISE SPECIFIED.
10. ALL STEELWORKS EXCEPT CORRUGATED STEEL SHEET CLADDING SHALL BE GRADE 43C TO BS 4360 AND SHALL BE PAINTED WITH SYSTEM A STATED IN G.S. CLAUSE 18.63.
11. CORRUGATED STEEL SHEET CLADDING SHALL HAVE A MINIMUM SECTION MODULUS OF 2000 mm³/m.
12. ALL CORRUGATED STEEL SHEET CLADDING, CAPPING AND TOE SHEETS SHALL BE GALVANIZED MILD STEEL WITH A TRIPLE-SPOT AVERAGE MINIMUM ZINC COATING WEIGHT OF 350 g/m² (TOTAL ON BOTH SIDES), AND SHALL BE PAINTED WITH SYSTEM H STATED IN GS TABLE 24.9.
13. UNLESS OTHERWISE STATED, ALL EXPOSED SURFACES SHALL BE OF MID-GREY COLOUR (CODE 10 A 07) TO BS 5252.
14. ALL LOGO PLATES SHALL BE FIXED SECURELY ON CORRUGATED STEEL SHEET CLADDING BY RIVETS.
15. THE CONTRACTOR MAY SUBMIT PROPOSAL WITH DESIGN CALCULATION FOR ALTERNATIVE MATERIAL (OTHER THAN HARDWOOD) AND CONSTRUCTION DETAILS (INCLUDING FOUNDATION DETAILS) FOR THE SITE HOARDING. ANY SUCH CONTRACTOR'S REQUESTED VARIATION, IF AGREED TO BY THE ENGINEER, SHALL BE VALUED IN ACCORDANCE WITH THE CONTRACT.
16. THE CONTRACTOR SHALL SUBMIT REVISED PROPOSAL FOR THE CONCRETE FOOTINGS WHEREVER THE ACTUAL SITE CONDITIONS REQUIRE, SUCH AS CLASHING WITH EXISTING UTILITIES. SUCH PROPOSAL SHALL BE TO THE SATISFACTION OF THE ENGINEER AND BE VALUED IN ACCORDANCE WITH THE CONTRACT.
17. ALTERNATIVE CONSTRUCTION DETAILS (INCLUDING FOUNDATION DETAILS) FOR THE SITE HOARDING, WHICH MUST BE CAPABLE OF WITHSTANDING A WIND PRESSURE OF 1.2 kPa, SHALL BE AGREED TO BY THE ENGINEER.
18. THE ENGINEER SHALL DECIDE TO ADD HANDRAIL AS NECESSARY.



Cad Ref. : WSD073505-D.dwg

HOARDING TYPE II



水務署
Water Supplies Department

APPROVED	G.C. LEE AD/NW	DRAWING NO.	CSWP
DATE	9/6/92	WSD 7.35D	
SCALE	1 : 50	(SHEET 5 OF 5)	