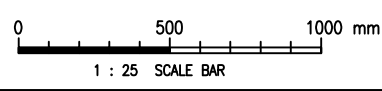
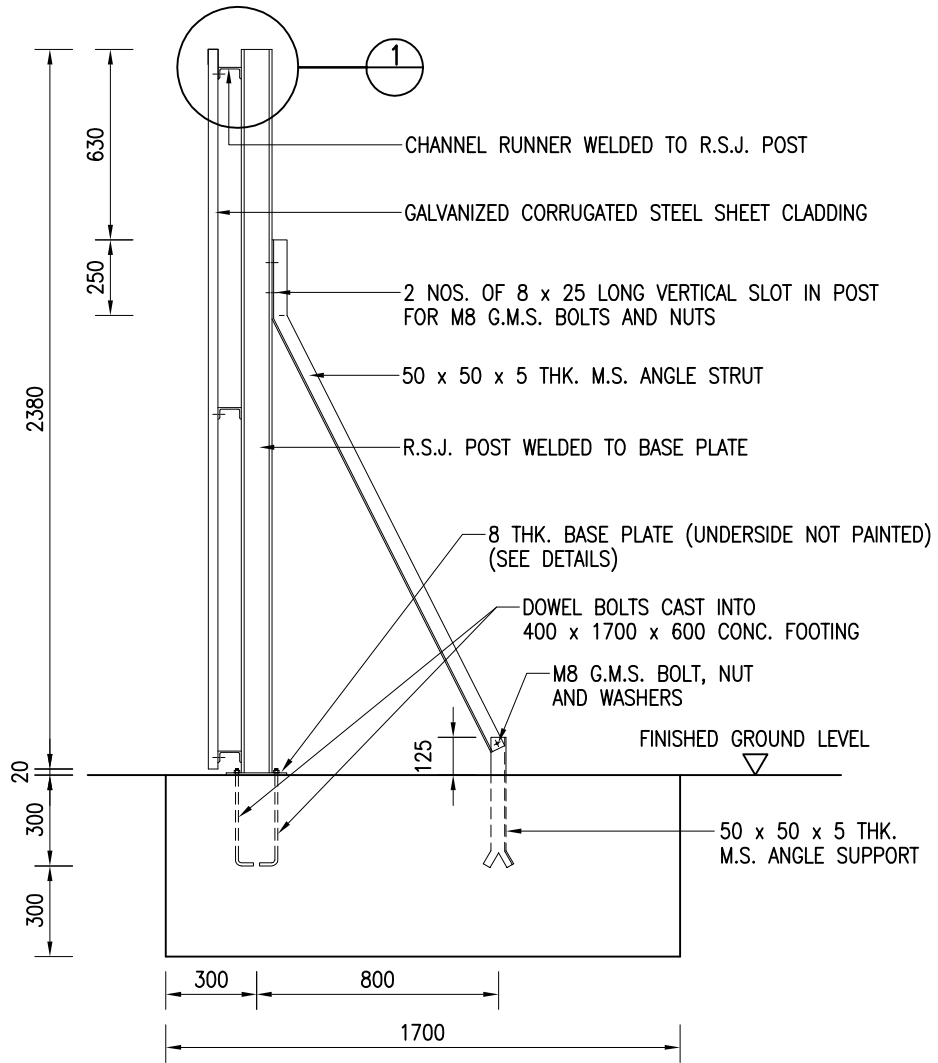


G	SAVE WATER LOGO PLATE ADDED	C.M. LEE	7/6/12
F	CONSTRUCTION INDUSTRY LOGO PLATE ADDED	C.M. LEE	28/7/11
E	CLADDING AT CORNER REVISED AND RE-FORMATTED TO CSWP	W.K. CHIU	14/11/03
D	GENERAL REVISION	W.K. CHIU	20/9/00
C	HOARDING HEIGHT REVISED ACCORDING TO AIR POLLUTION CONTROL (CONSTRUCTION DUST) REGULATION AND DEPARTMENT NAME ADDED ON HOARDING	W.K. CHIU	10/11/99
B	DETAILS OF HOARDING ON SLOPE AND AT CORNER ADDED	K.W. CHAN	17/10/97
A	HARDWOOD REPLACED BY STEEL	K.W. CHAN	26/3/97
REF.	REVISION	APPROVED	DATE

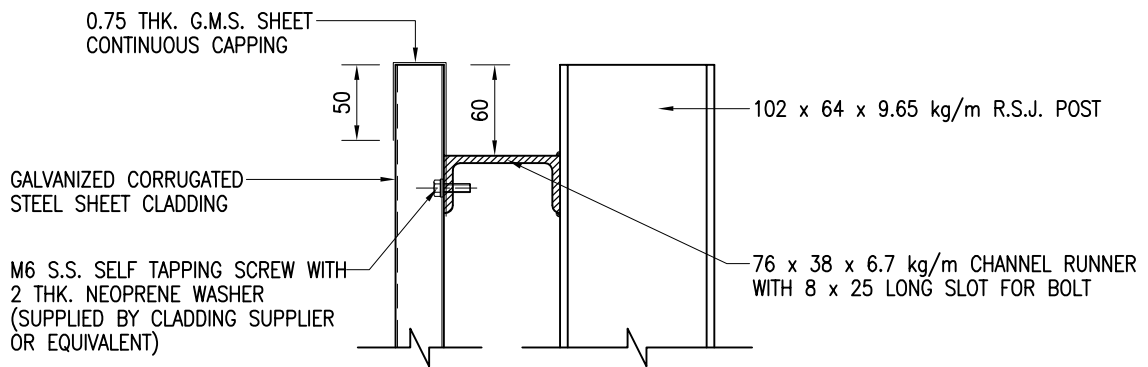


Cad Ref. : WSD073401 - C.dwg

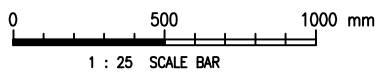
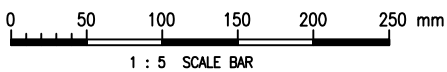
<h2>HOARDING TYPE I</h2>	水務署 Water Supplies Department		
	APPROVED	G.C. LEE AD/NW	DRAWING NO. CSWP
	DATE	9/6/92	WSD 7.34G (SHEET 1 OF 8)
	SCALE	1 : 25	



SECTION A - A
SCALE 1 : 25



DETAIL '1'
SCALE 1 : 5



Cad Ref. : WSD073402-G.dwg

HOARDING TYPE I



水務署
Water Supplies Department

APPROVED

G.C. LEE
AD/NW

DATE

9/6/92

SCALE

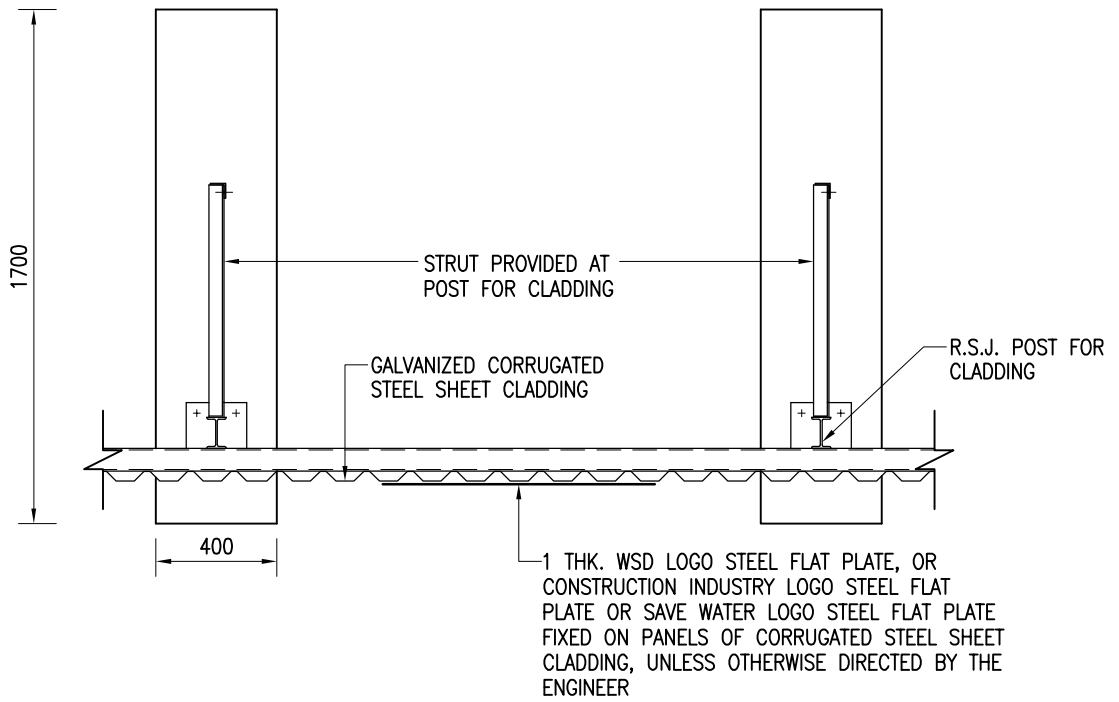
1 : 25 OR AS SHOWN

DRAWING NO.

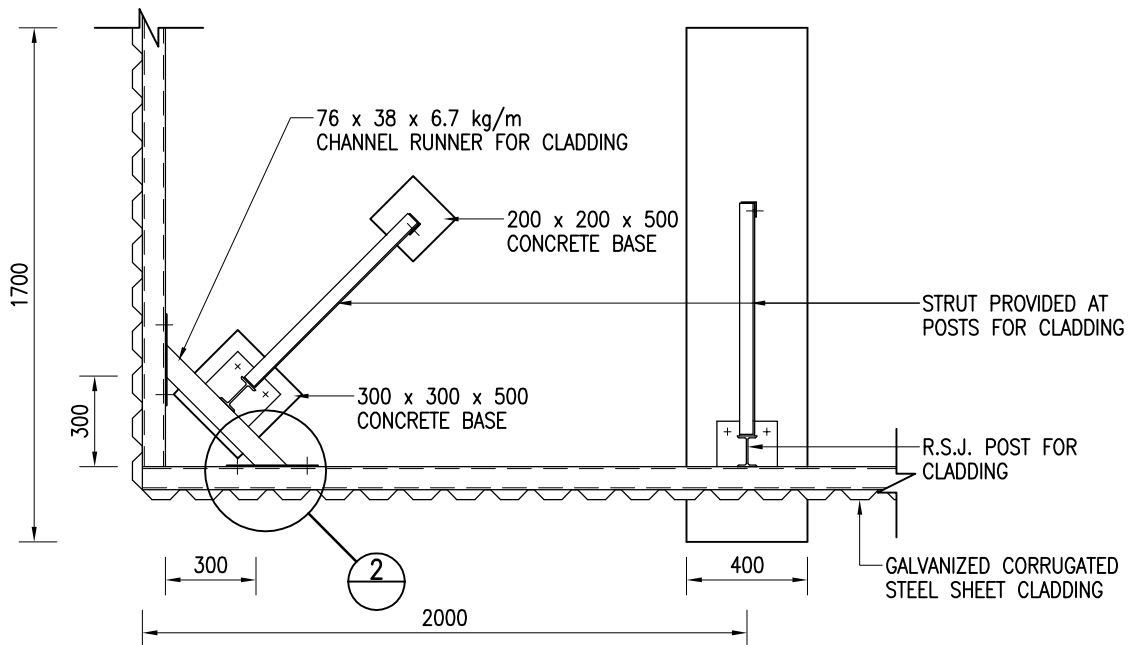
WSD 7.34G

(SHEET 2 OF 8)

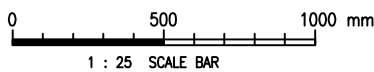
CSWP



SECTION B - B



PLAN OF CLADDING AT CORNER



Cad Ref. : WSD073403-C.dwg

HOARDING TYPE I



水務署
Water Supplies Department

APPROVED

G.C. LEE
AD/NW

DATE

9/6/92

SCALE

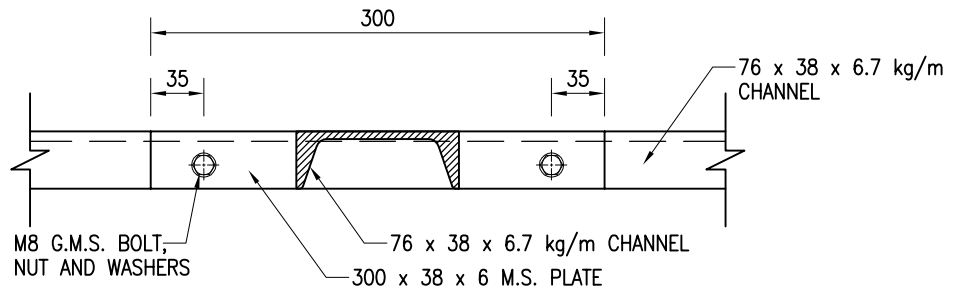
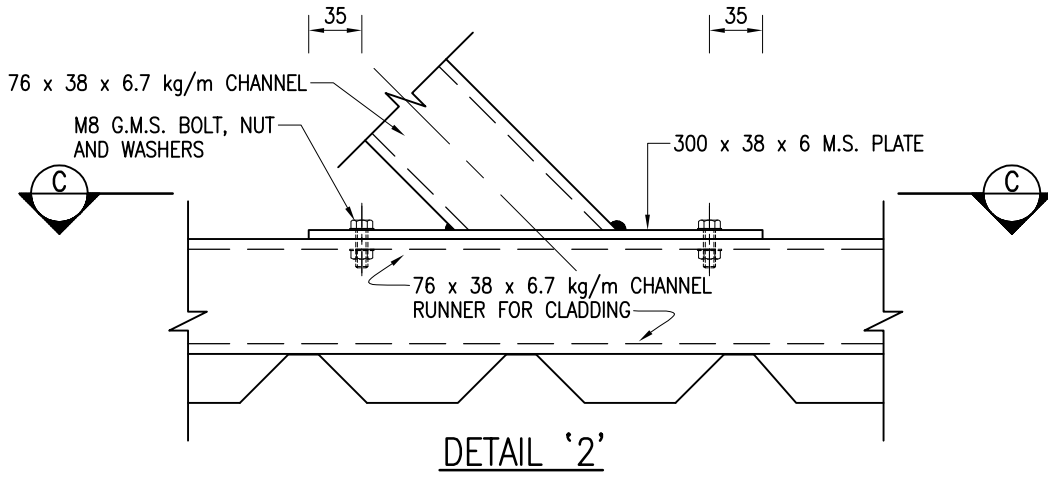
1 : 25

DRAWING NO.

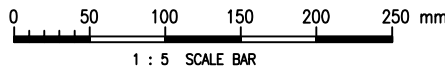
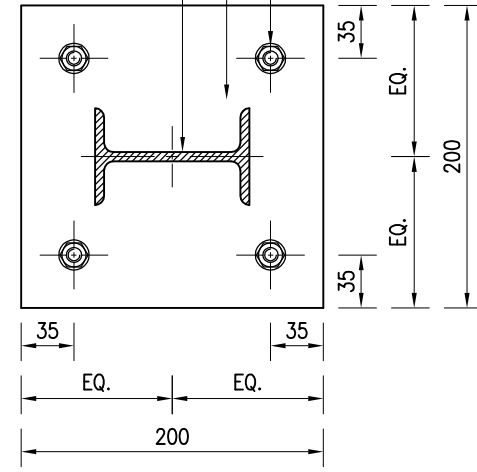
WSD 7.34G

(SHEET 3 OF 8)

CSWP



8 THK. M.S. BASE PLATE
 102 x 64 x 9.65 kg/m R.S.J. POST WELDED TO BASE PLATE
 10 DIA. M.S. DOWEL BOLT CAST INTO CONC. FOOTING WITH NUT AND WASHER



Cad Ref. : WSD073404-G.dwg

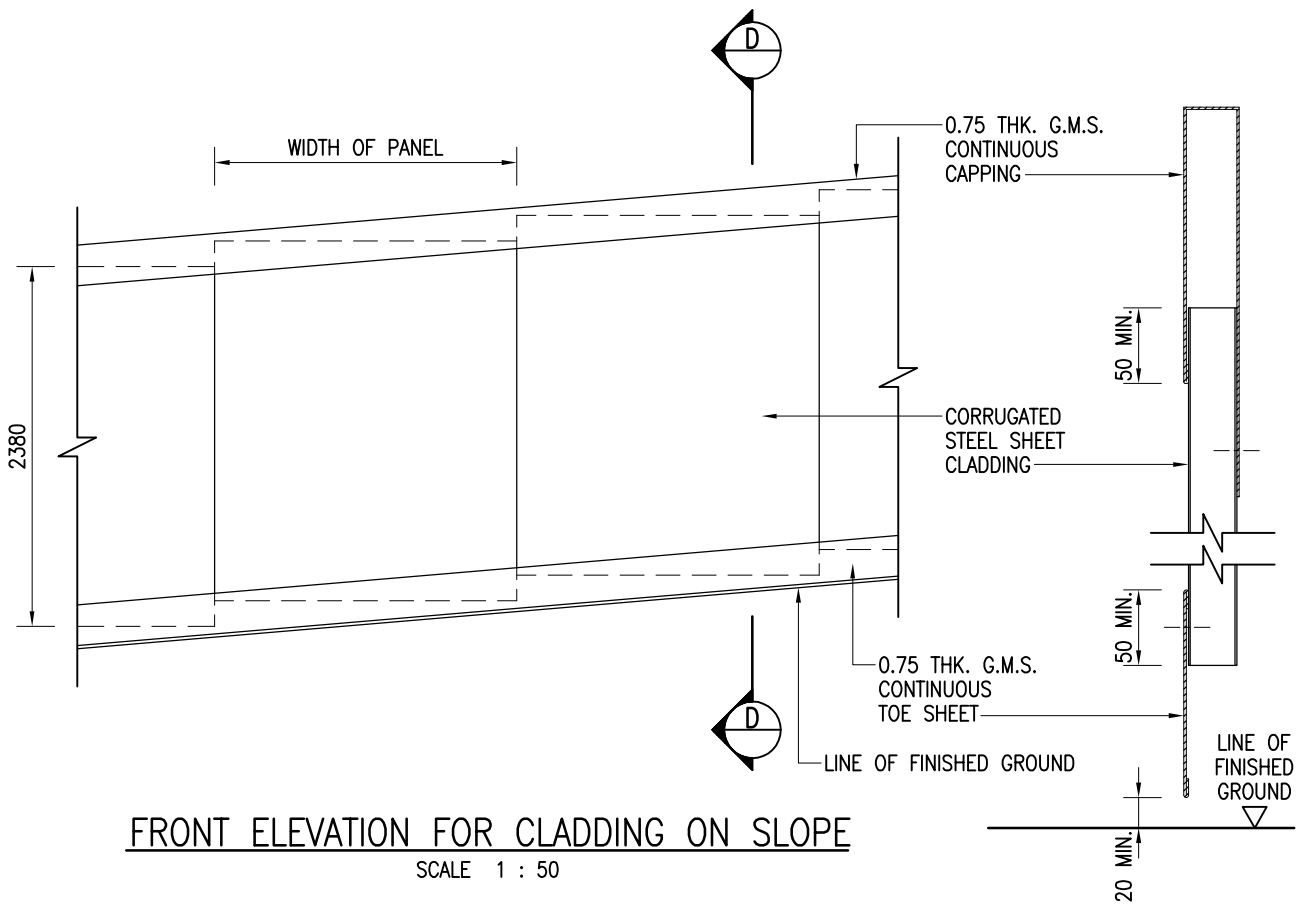
HOARDING TYPE I



水務署
 Water Supplies Department

APPROVED	G.C. LEE AD/NW
DATE	G.C. LEE
SCALE	1 : 5

DRAWING NO.	CSWP
WSD 7.34G (SHEET 4 OF 8)	

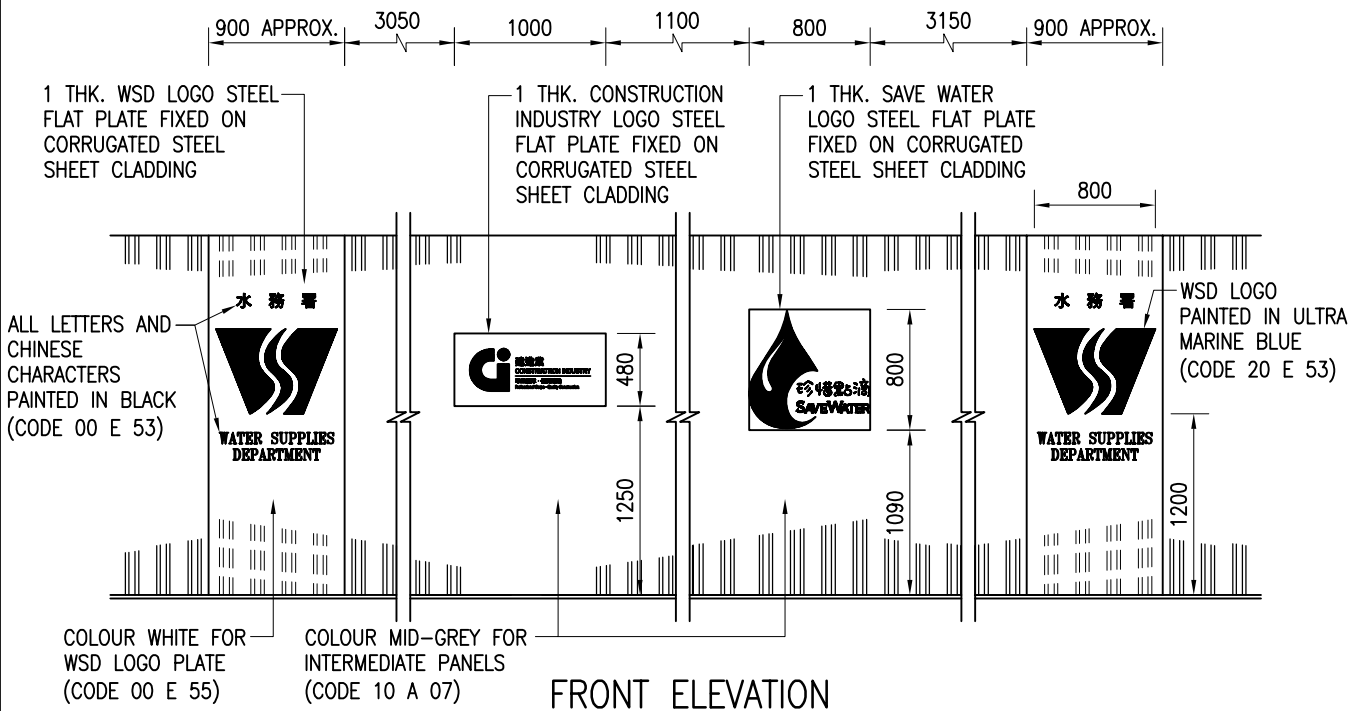


FRONT ELEVATION FOR CLADDING ON SLOPE

SCALE 1 : 50

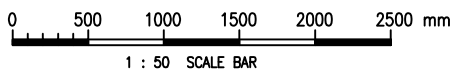
SECTION D - D

N.T.S.



**FRONT ELEVATION
FOR ARRANGEMENT OF LOGO PLATES**

SCALE 1 : 50



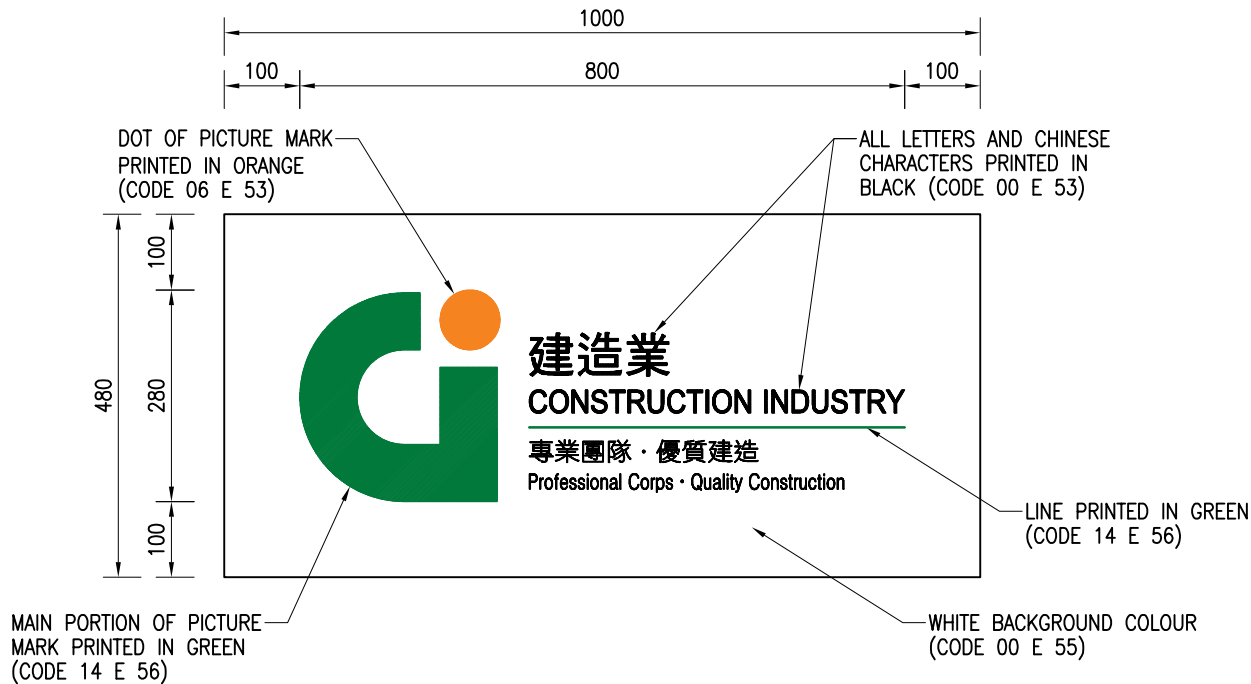
Cad Ref. : WSD073405-C.dwg

HOARDING TYPE I



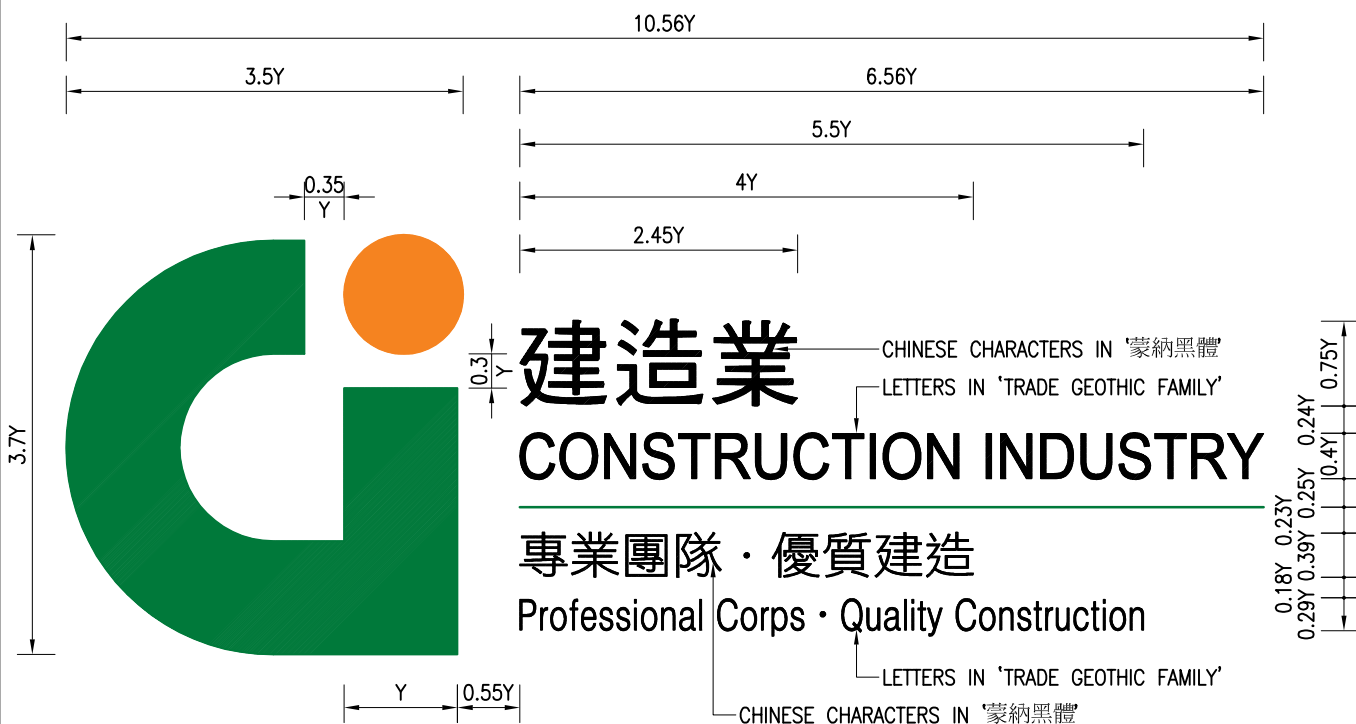
水務署
Water Supplies Department

APPROVED	G.C. LEE AD/NW	DRAWING NO.	CSWP
DATE	9/6/92	WSD 7.34G	(SHEET 5 OF 8)
SCALE	1 : 50 OR AS SHOWN		



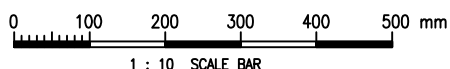
CONSTRUCTION INDUSTRY LOGO PLATE

SCALE 1 : 10



RELATIVE DIMENSIONS AND FONT TYPES OF CONSTRUCTION INDUSTRY LOGO

N.T.S.



Cad Ref. : WSD073406-G.dwg

HOARDING TYPE I



水務署
Water Supplies Department

APPROVED

G.C. LEE
AD/NW

DATE

9/6/92

SCALE

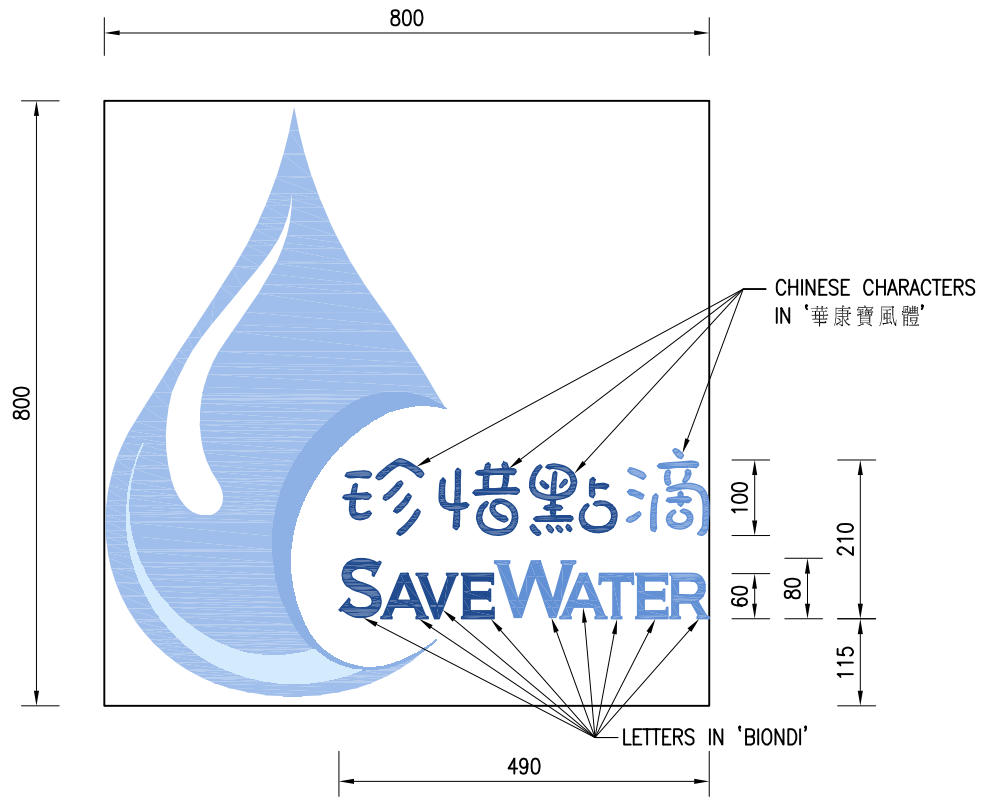
1 : 10 OR AS SHOWN

DRAWING NO.

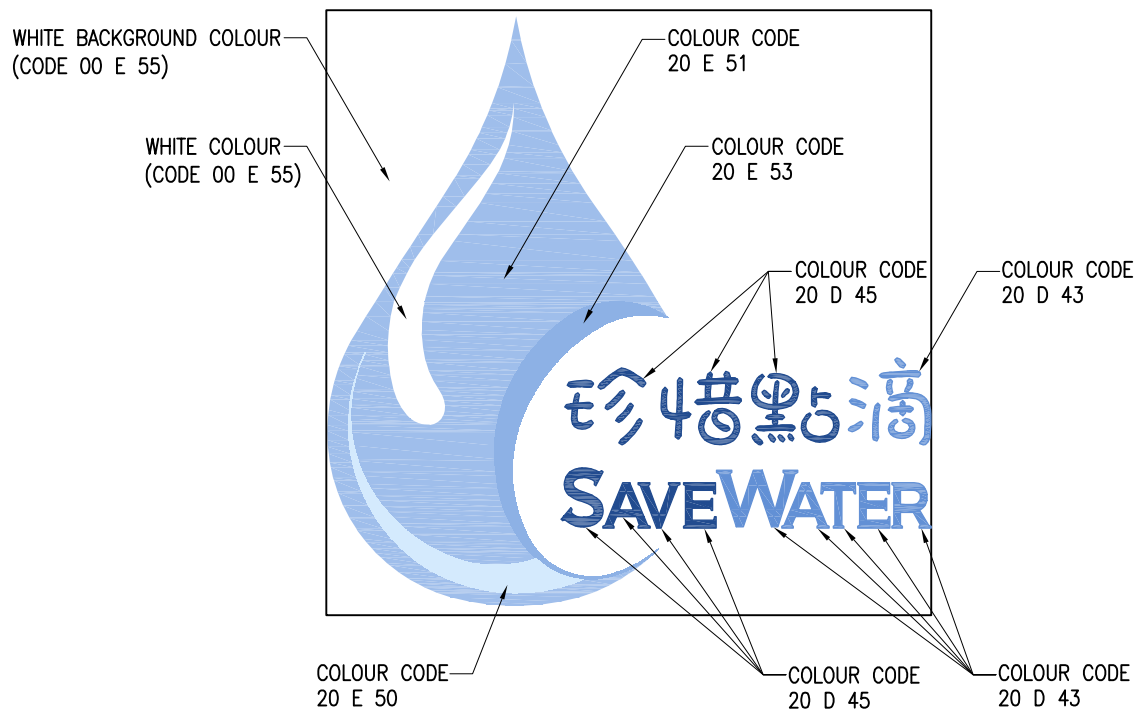
WSD 7.34G

(SHEET 6 OF 8)

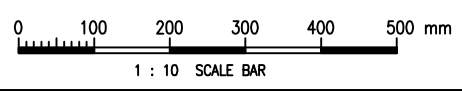
CSWP




SAVE WATER LOGO PLATE



COLOUR CODES OF SAVE WATER LOGO




Cad Ref. : WSD073407-C.dwg

HOARDING TYPE I	 水務署 Water Supplies Department		DRAWING NO.	CSWP WSD 7.34G (SHEET 7 OF 8)
	APPROVED	G.C. LEE AD/NW		
	DATE	9/6/92		
	SCALE	1 : 10		

NOTES :

1. ALL DIMENSIONS ARE IN MILLIMETRES.
2. POSITION OF HOARDING BOARD SHALL BE AS SHOWN ON CONTRACT DRAWING.
3. WIDTH OF ENTRANCE FOR HOARDING SHALL BE AS SHOWN ON CONTRACT DRAWING.
4. HOARDING SHALL BE PROVIDED WITH ADEQUATE LIGHTING WHERE REQUIRED.
5. ALL COLOUR CODES SHOWN ARE TO BS 5252.
6. FOR WSD LOGO AND LETTERS SHOWN ON WSD LOGO PLATE, REFER TO DRAWING NO. WSD 7.17.
7. CONCRETE FOR FOOTING SHALL BE GRADE 20/20.
8. ALL WELDS SHALL BE 6 mm CONTINUOUS FILLET WELD UNLESS OTHERWISE SPECIFIED.
9. ALL STEELWORKS EXCEPT CORRUGATED STEEL SHEET CLADDING SHALL BE GRADE 43C TO BS 4360 AND SHALL BE PAINTED WITH SYSTEM A STATED IN G.S. CLAUSE 18.63.
10. CORRUGATED STEEL SHEET CLADDING SHALL HAVE A MINIMUM SECTION MODULUS OF 2000 mm³/m.
11. ALL CORRUGATED STEEL SHEET CLADDING, CAPPING AND TOE SHEETS SHALL BE GALVANIZED MILD STEEL WITH A TRIPLE-SPOT AVERAGE MINIMUM ZINC COATING WEIGHT OF 350 g/m² (TOTAL ON BOTH SIDES), AND SHALL BE PAINTED WITH SYSTEM H STATED IN GS TABLE 24.9.
12. UNLESS OTHERWISE STATED, ALL EXPOSED SURFACES SHALL BE OF MID-GREY COLOUR (CODE 10 A 07) TO BS 5252.
13. ALL LOGO PLATES SHALL BE FIXED SECURELY ON CORRUGATED STEEL SHEET CLADDING BY RIVETS.
14. THE CONTRACTOR MAY SUBMIT PROPOSAL WITH DESIGN CALCULATION FOR ALTERNATIVE MATERIAL (OTHER THAN HARDWOOD) AND CONSTRUCTION DETAILS (INCLUDING FOUNDATION DETAILS) FOR THE SITE HOARDING. ANY SUCH CONTRACTOR'S REQUESTED VARIATION, IF AGREED TO BY THE ENGINEER, SHALL BE VALUED IN ACCORDANCE WITH THE CONTRACT.
15. ALTERNATIVE CONSTRUCTION DETAILS (INCLUDING FOUNDATION DETAILS) FOR THE SITE HOARDING, WHICH MUST BE CAPABLE OF WITHSTANDING A WIND PRESSURE OF 1.2 kPa, SHALL BE AGREED TO BY THE ENGINEER.

Cad Ref. : WSD073408-G.dwg

HOARDING TYPE I	 水務署 Water Supplies Department		
	APPROVED	G.C. LEE AD/NW	DRAWING NO. CSWP
	DATE	9/6/92	WSD 7.34G
	SCALE	NOT APPLICABLE	(SHEET 8 OF 8)