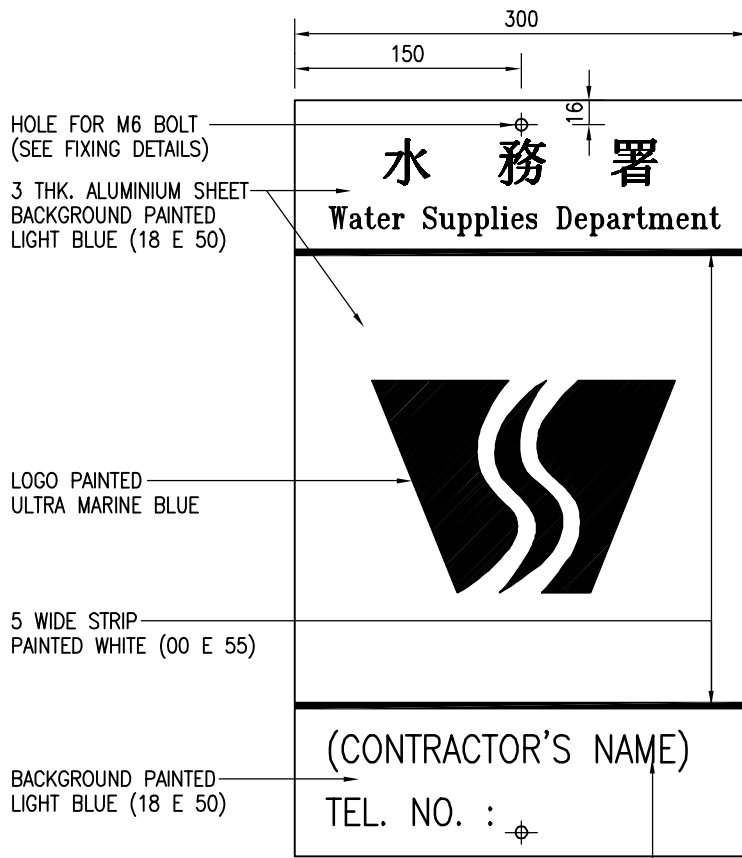


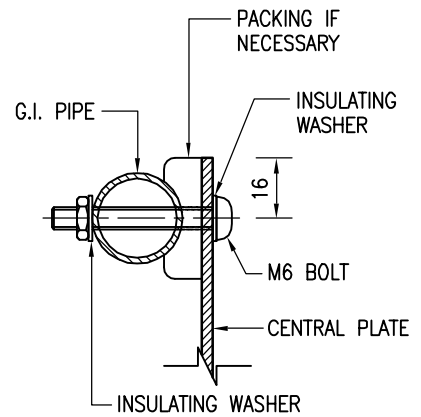
**FRONT ELEVATION**

SCALE 1 : 20



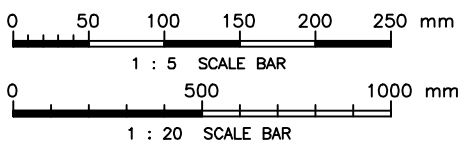
**CENTRAL PLATE**

SCALE 1 : 5



**FIXING DETAIL FOR CENTRAL PLATE**

N.T.S.



B	HAZARD WARNING LANTERN ADDED AND RE-FORMATTED TO CSWP	W.K. CHIU	14/11/03
A	FRONT ELEVATION AND FIXING DETAILS ADDED	W.K. CHIU	21/8/00
REF.	REVISION	APPROVED	DATE

Cad Ref. : WSD073301-B.dwg

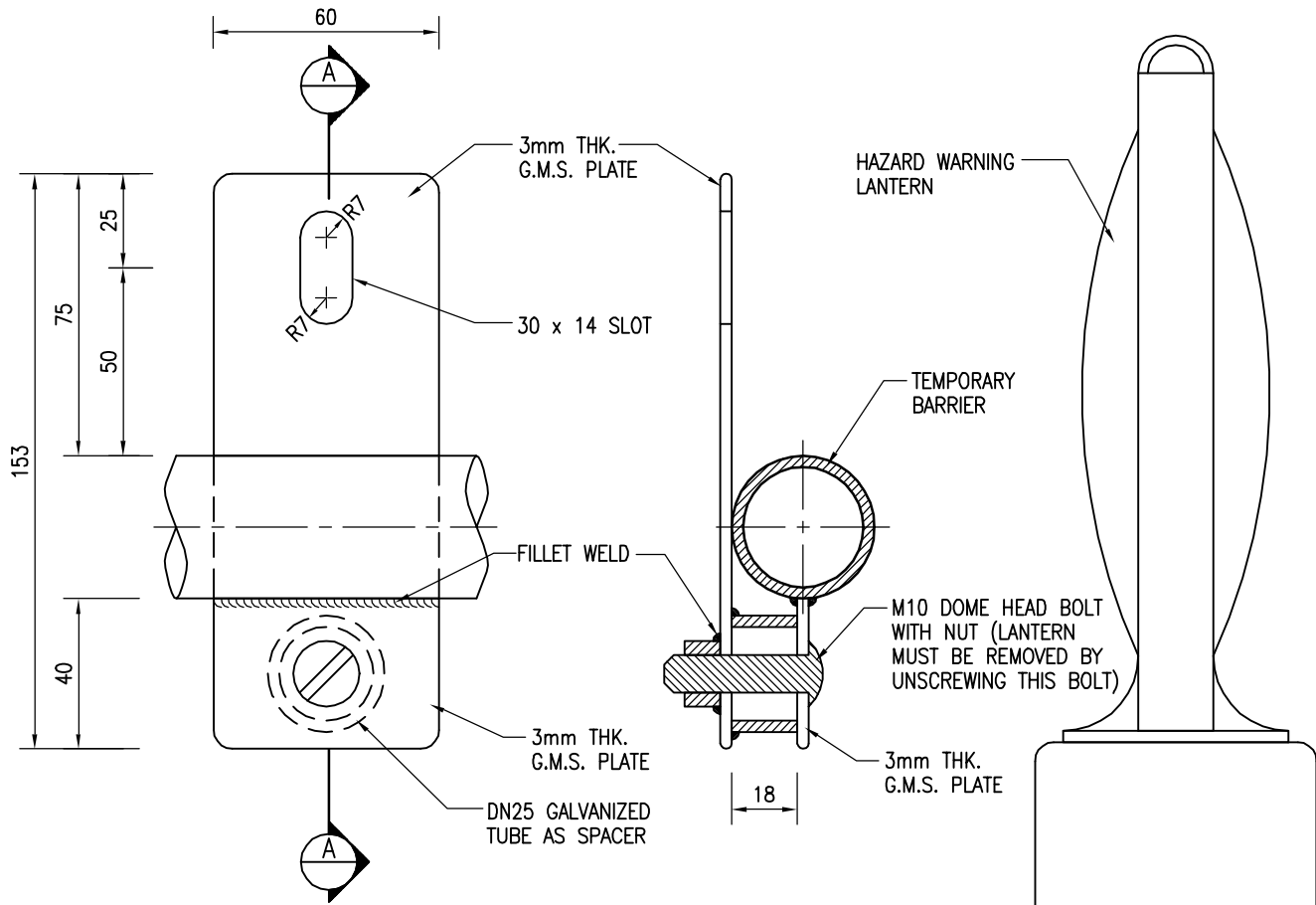
FIXING DETAILS FOR CENTRAL PLATE AND HAZARD WARNING LANTERN ON TEMPORARY BARRIER



**水務署**  
**Water Supplies Department**

APPROVED	G.C. LEE AD/NW
DATE	9/6/92
SCALE	1 : 20 OR AS SHOWN

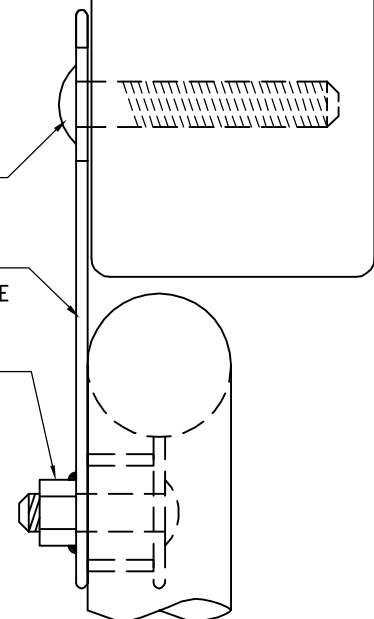
DRAWING NO. CSWP  
WSD 7.33B  
(SHEET 1 OF 2)



ELEVATION

SECTION A - A

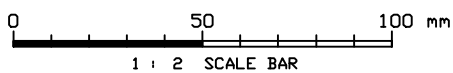
FIXING DETAIL FOR  
HAZARD WARNING LANTERN



END ELEVATION

NOTES :

1. ALL DIMENSIONS ARE IN MILLIMETRES.
2. COLOUR CODES SHOWN ARE REFERRED TO BS 5252F.
3. BOLT FOR FIXING HAZARD WARNING LANTERN SHALL BE HOT-DIP GALVANIZED.
4. BOLT SIZE SHALL SUIT LANTERN.
5. G.M.S. PLATE MUST NOT PROTRUDE ABOVE TOP RAIL AFTER REMOVAL OF LANTERN.



Cad Ref. : WSD073302-B.dwg

FIXING DETAILS FOR CENTRAL PLATE  
AND HAZARD WARNING LANTERN  
ON TEMPORARY BARRIER



水務署  
Water Supplies Department

APPROVED

G.C. LEE  
AD/NW

DATE

9/6/92

SCALE

1 : 2

DRAWING NO.

WSD 7.33B  
(SHEET 2 OF 2)

CSWP