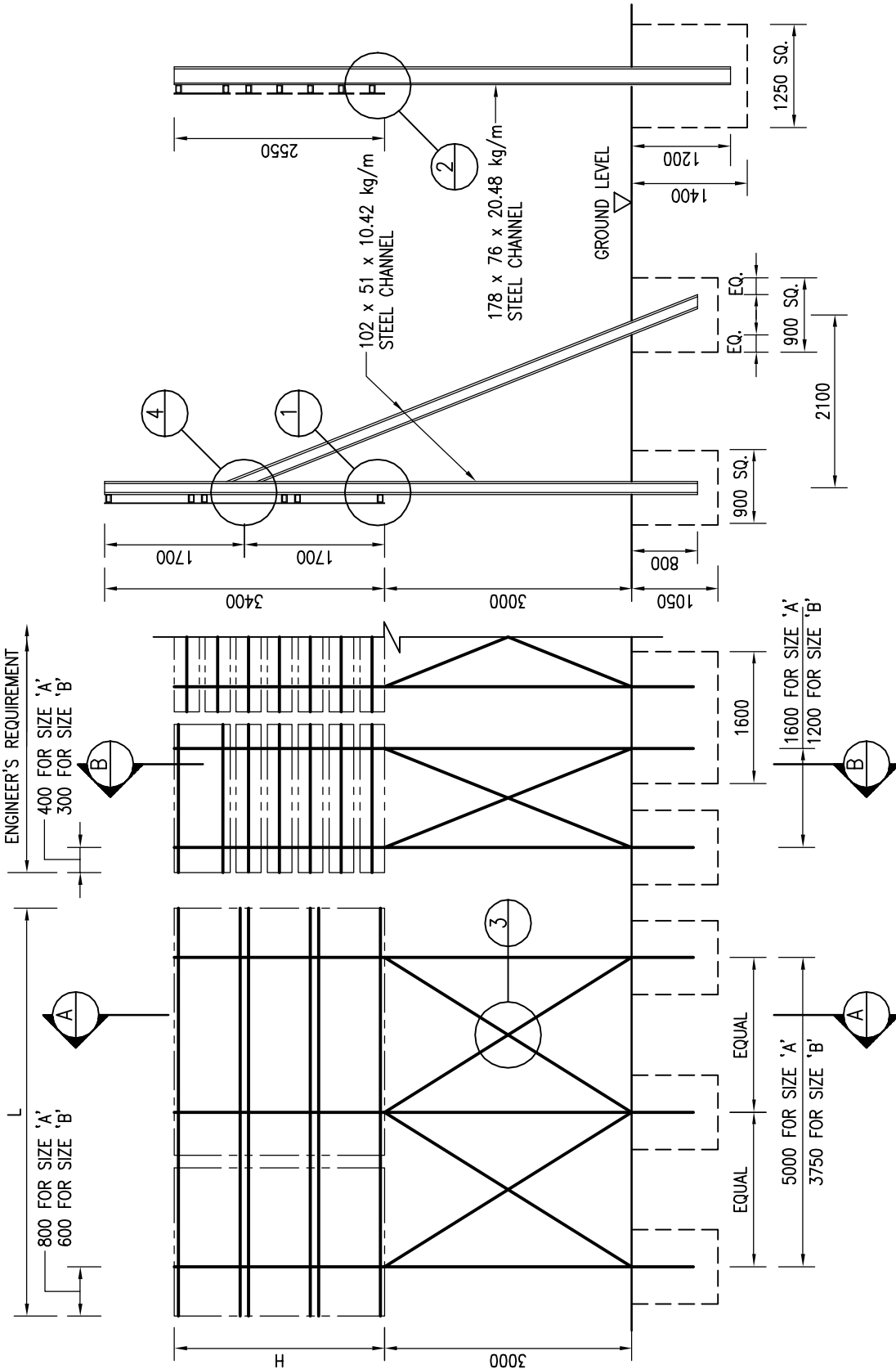


Cad Ref. : WSD073201-C.dwg

NO. OF CONTRACTORS,
SUB-CONTRACTORS AND
SUPPLIERS' SIGNBOARDS TO
ENGINEER'S REQUIREMENT



SECTION A - A
(SIZE 'A' SIGNBOARD)

SECTION B - B
(SIZE 'B' SIGNBOARD)

ELEVATION FOR MAJOR PROJECT SIGNBOARD
(ALL INCLINED MEMBERS FOR SIZE 'A' SIGNBOARD ARE 50 x 50 x 6 ANGLES)
(ALL INCLINED MEMBERS FOR SIZE 'B' SIGNBOARD ARE 40 x 40 x 5 ANGLES)
(ALL HORIZONTAL MEMBERS ARE 60 x 40 x 6.97 kg/m RECTANGULAR HOLLOW SECTIONS WELDED TO VERTICAL CHANNEL POSTS)

REF.	REVISION	APPROVED	DATE
C	RE-FORMATTED TO CSWP	W.K. CHIU	14/11/03
B	GENERAL REVISION	W.K. CHIU	20/9/00
A	MATERIAL REVISED	W.K. CHIU	10/11/99

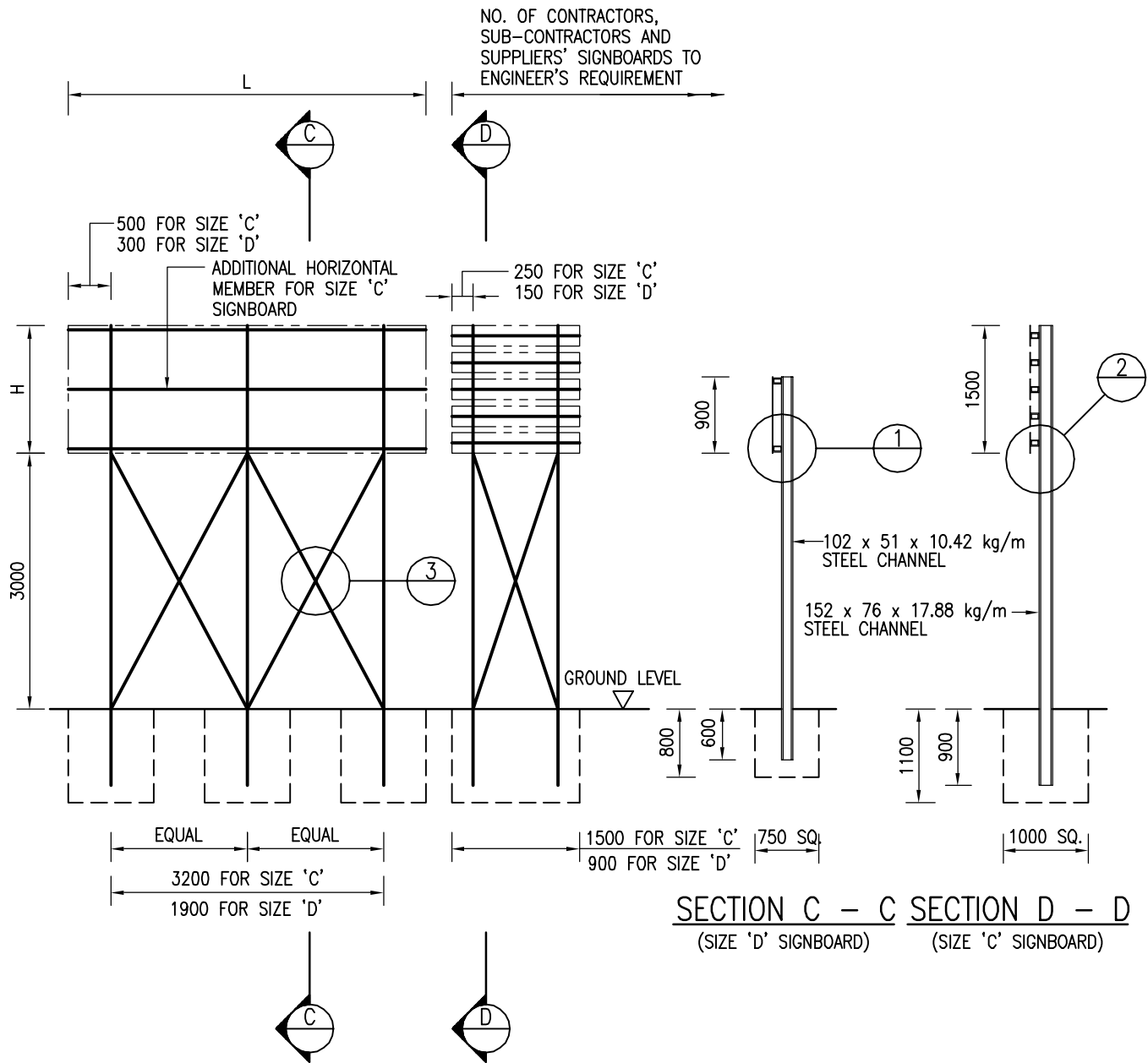
STRUCTURAL STEEL FRAME FOR
PROJECT SIGNBOARD



水務署
Water Supplies Department

APPROVED	G.C. LEE AD/NW
DATE	9/6/92
SCALE	N.T.S.

DRAWING NO.	CSWP
WSD 7.32C	
(SHEET 1 OF 3)	



ELEVATION FOR MINOR PROJECT SIGNBOARD

(ALL INCLINED MEMBERS ARE 40 x 40 x 5 ANGLES)
 (ALL HORIZONTAL MEMBERS ARE 60 x 40 x 6.97 kg/m RECTANGULAR HOLLOW SECTIONS WELDED TO VERTICAL CHANNEL POSTS)

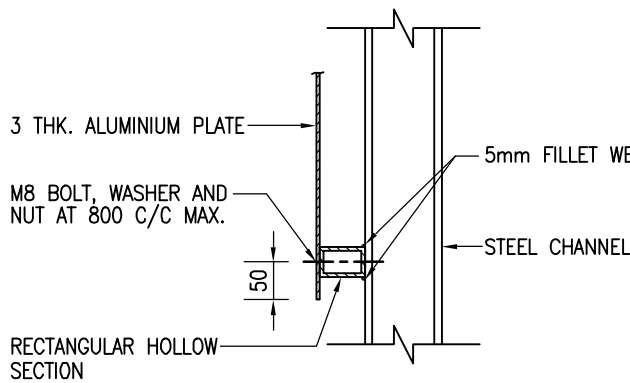
Cad Ref. : WSD073202-C.dwg

STRUCTURAL STEEL FRAME FOR PROJECT SIGNBOARD

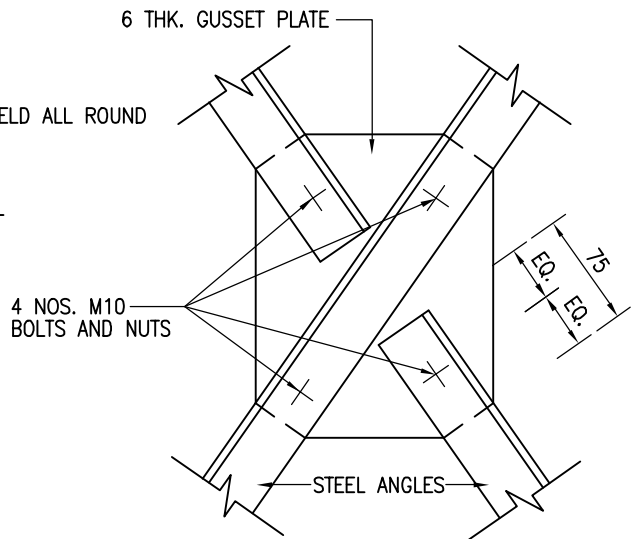


水務署
Water Supplies Department

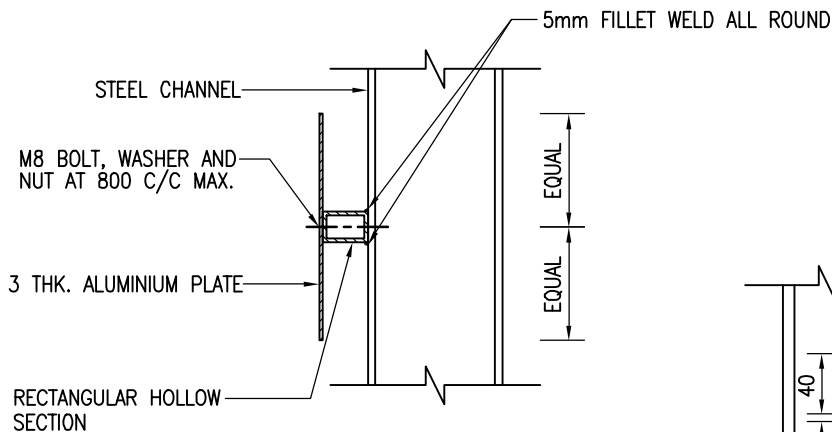
APPROVED	G.C. LEE AD/NW	DRAWING NO. WSD 7.32C (SHEET 2 OF 3)	CSWP
DATE	9/6/92		
SCALE	N.T.S.		



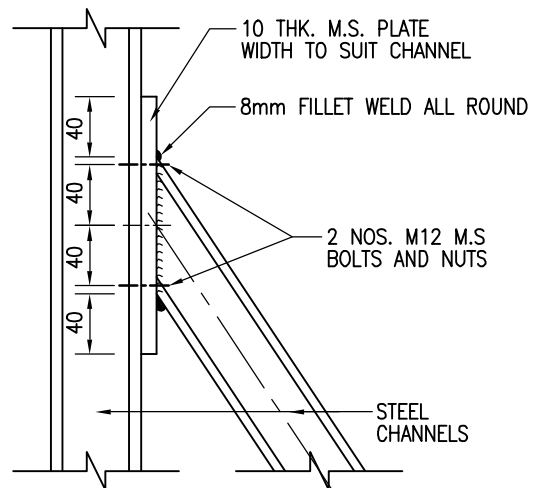
DETAIL '1'
SCALE 1 : 10



DETAIL '3'
SCALE 1 : 5



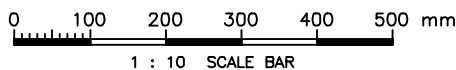
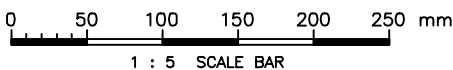
DETAIL '2'
SCALE 1 : 10



DETAIL '4'
SCALE 1 : 5

NOTES :

1. ALL DIMENSIONS ARE IN MILLIMETRES.
2. CONCRETE FOOTING SHALL BE GRADE 20/20S.
3. DESIGN SOIL BEARING CAPACITY SHALL BE 100kPa.
4. ALL STEEL CONNECTIONS SHALL BE BOLTED BY M10 M.S. SINGLE BOLT UNLESS OTHERWISE STATED.
5. SECTIONS FOR FRAME SHALL BE GRADE 43 STEEL.
6. FOR DIMENSIONS OF SIGNBOARD REFER TO DRG. NOS. WSD 7.30 AND WSD 7.31 AS APPROPRIATE.
7. THE STEEL FRAME HAS BEEN DESIGNED FOR WIND LOAD OF NORMAL EXPOSED URBAN LOCATION.
8. THE CONTRACTOR MAY SUBMIT PROPOSAL WITH DESIGN CALCULATION FOR ALTERNATIVE CONSTRUCTION DETAILS (INCLUDING FOUNDATION DETAILS) FOR THE STEEL FRAME. ANY SUCH CONTRACTOR'S REQUESTED VARIATION IF AGREED BY THE ENGINEER, SHALL BE VALUED IN ACCORDANCE WITH THE CONTRACT.



Cad Ref. : WSD073203-C.dwg

STRUCTURAL STEEL FRAME FOR
PROJECT SIGNBOARD



水務署
Water Supplies Department

APPROVED	G.C. LEE AD/NW	DRAWING NO. WSD 7.32C (SHEET 3 OF 3)	CSWP
DATE	9/6/92		
SCALE	1 : 10 OR AS SHOWN		