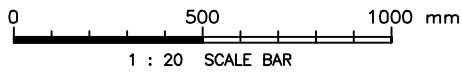
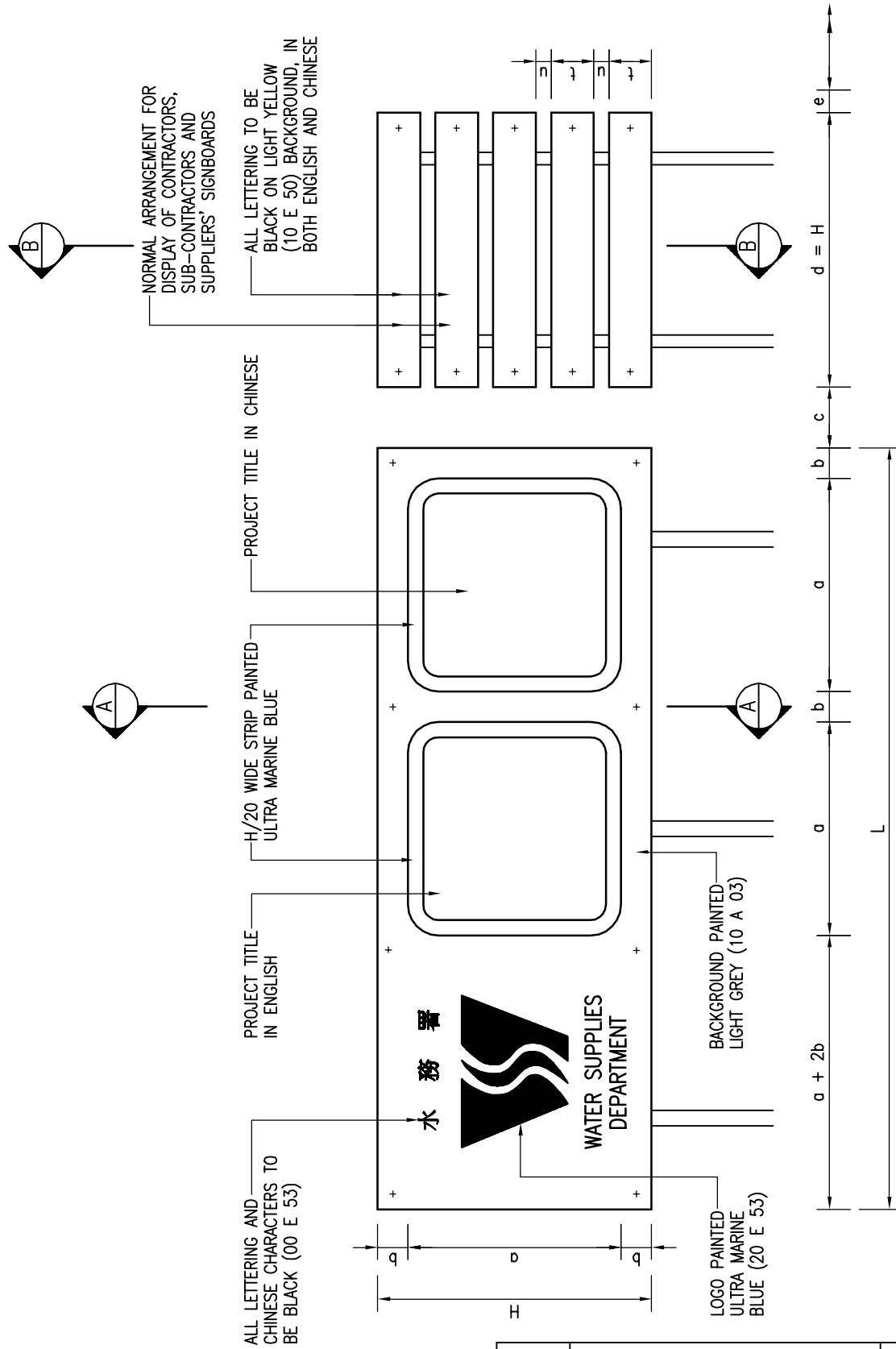


Cad Ref. : WSD073101-C.dwg



MINOR PROJECT SIGNBOARD



PROJECT SIGNBOARD

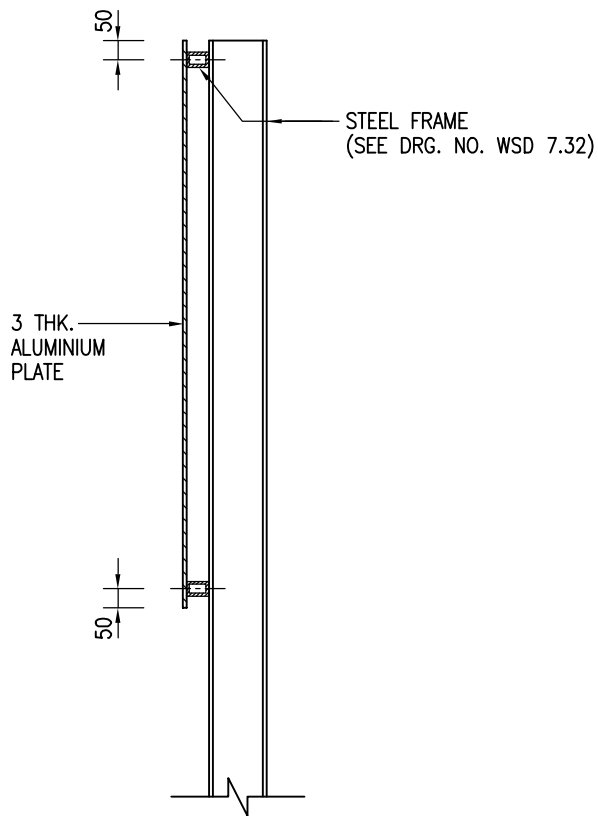
CONTRACTORS' SIGNBOARD

REF.	REVISION	APPROVED	DATE
C	RE-FORMATTED TO CSWP	W.K. CHIU	14/11/03
B	GENERAL REVISION	W.K. CHIU	10/10/00
A	MATERIAL OF SIGNBOARD REVISED	W.K. CHIU	10/11/99

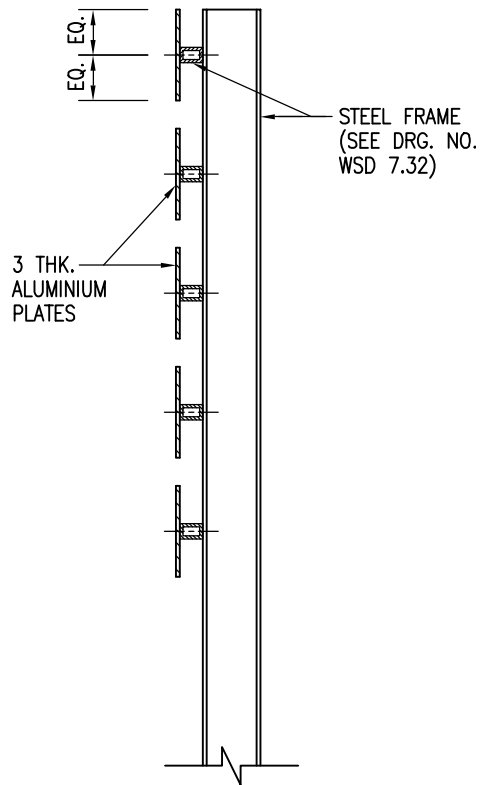


水務署
Water Supplies Department

APPROVED	G.C. LEE AD/NW	DRAWING NO. WSD 7.31C (SHEET 1 OF 2)	CSWP
DATE	9/6/92		
SCALE	1 : 20		



SECTION A - A

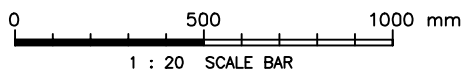


SECTION B - B

SIZE	H x L	a	b	c	d	e	t	u
C	1500 x 4200	1200	150	300	1500	125	240	75
D	900 x 2500	700	100	200	900	75	140	50

NOTES :

1. ALL DIMENSIONS ARE IN MILLIMETRES.
2. STRUCTURAL STEEL FRAME OF THE SIGNBOARD SHALL BE AS SHOWN ON DRAWING NO. WSD 7.32.
3. COLOUR CODES SHOWN ARE REFERRED TO BS 5252F.



Cad Ref. : WSD073102-C.dwg

MINOR PROJECT SIGNBOARD



水務署
Water Supplies Department

APPROVED

G.C. LEE
AD/NW

DATE

9/6/92

SCALE

1 : 20

DRAWING NO.

WSD 7.31C
(SHEET 2 OF 2)

CSWP