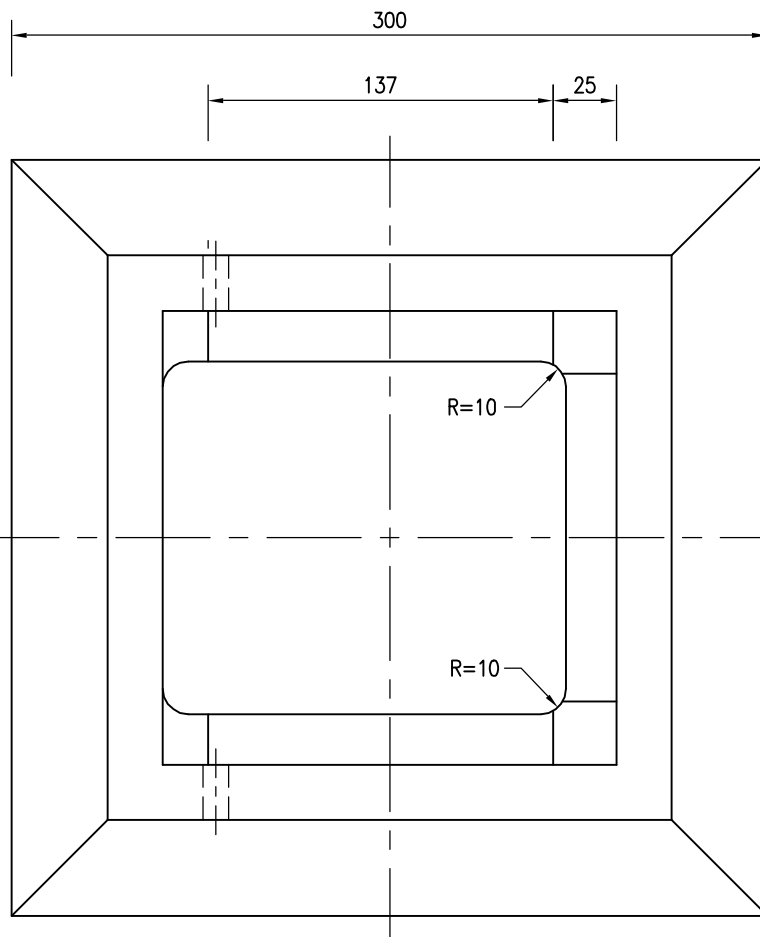


SECTION A - A



C.I. FRAME

Cad Ref. : WSD072501-B.dwg

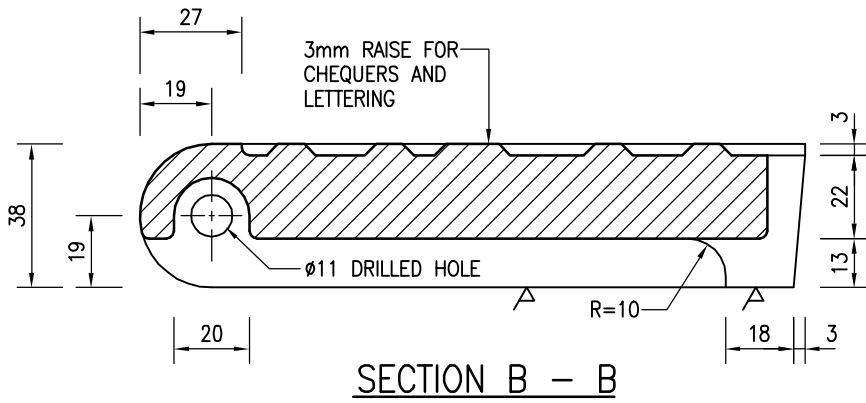
| | | | |
|------|----------------------|-----------|----------|
| B | RE-FORMATTED TO CSWP | W.K. CHIU | 14/11/03 |
| A | GENERAL REVISION | W.K. CHIU | 21/8/00 |
| REF. | REVISION | APPROVED | DATE |

180 SQUARE C.I. SURFACE BOX

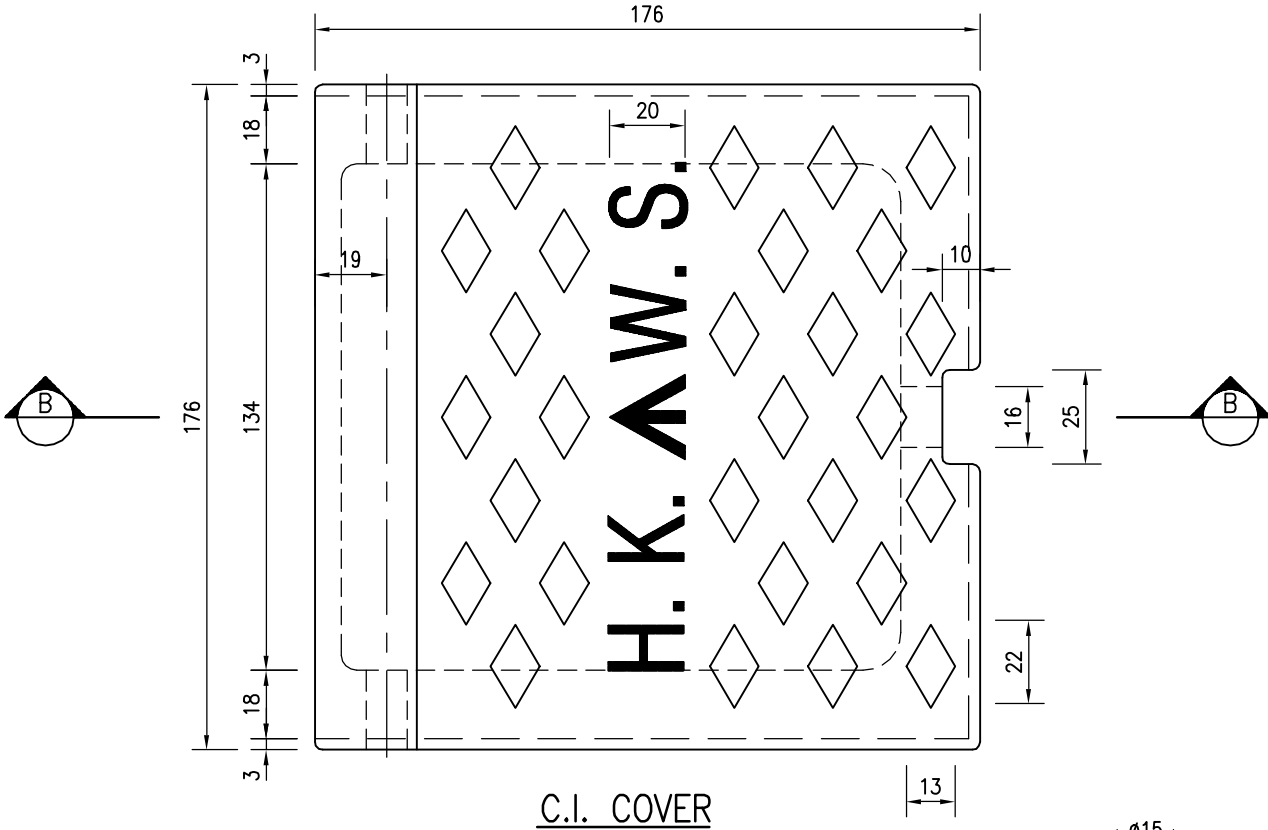


水務署
Water Supplies Department

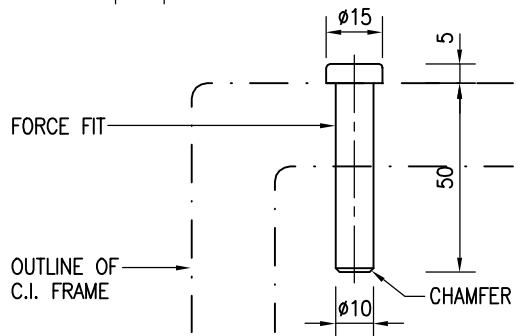
| | | | |
|----------|-------------------|----------------|------|
| APPROVED | G.C. LEE AD/NW | DRAWING NO. | CSWP |
| DATE | 9/6/92 | WSD 7.25B | |
| SCALE | N.T.S. | (SHEET 1 OF 2) | |



SECTION B - B



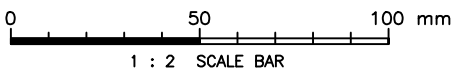
C.I. COVER



STAINLESS STEEL PIN
WITH CHAMFER END
(2 NOS. REQUIRED)

NOTES :

1. ALL DIMENSIONS ARE IN MILLIMETRES.
2. ALLOWANCE SHOULD BE MADE FOR MACHINING WHERE APPLICABLE.
3. REMOVE SHARP EDGES.
4. MACHINED SURFACES ARE MARKED WITH '▽'.
5. TOTAL WEIGHT OF C.I. COVER AND FRAME IS APPROXIMATELY 32 kg.



Cad Ref. : WSD072502-B.dwg

180 SQUARE C.I. SURFACE BOX



水務署
Water Supplies Department

| | | | |
|----------|-------------------|--|------|
| APPROVED | G.C. LEE AD/NW | DRAWING NO. WSD 7.25B (SHEET 2 OF 2) | CSWP |
| DATE | 9/6/92 | | |
| SCALE | 1 : 2 | | |