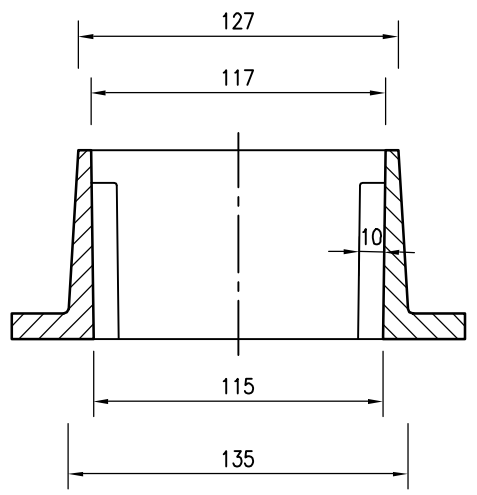
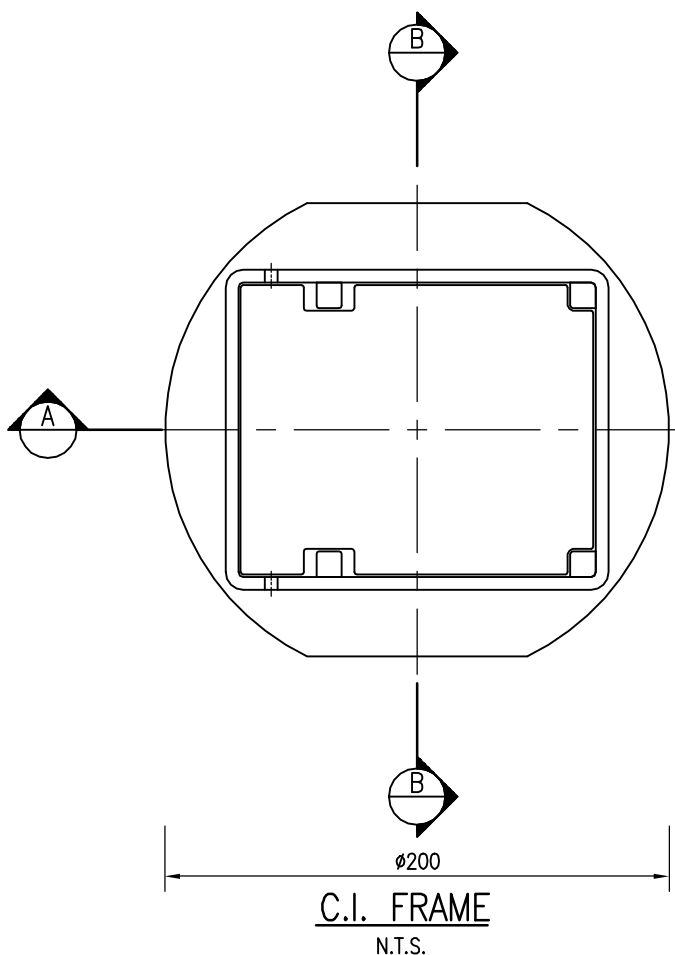


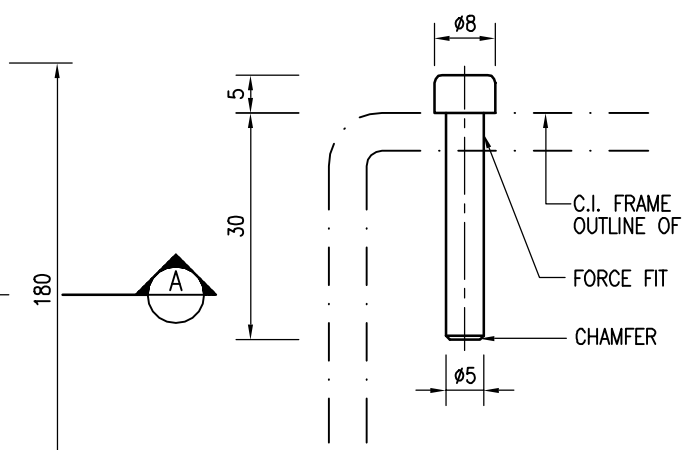
SECTION A - A



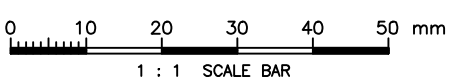
SECTION B - B



C.I. FRAME  
N.T.S.



STAINLESS STEEL PIN  
WITH CHAMFER END  
(2 NOS. REQUIRED)  
SCALE 1 : 1



B	RE-FORMATTED TO CSWP	W.K. CHIU	14/11/03
A	GENERAL REVISION	W.K. CHIU	21/8/00
REF.	REVISION	APPROVED	DATE

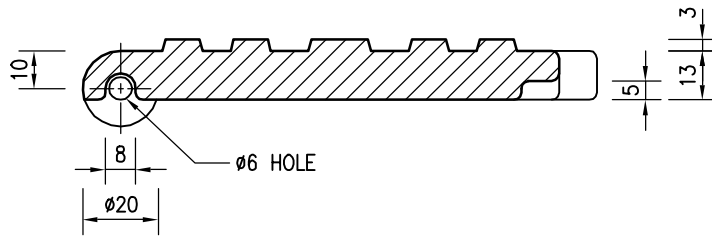
Cad Ref. : WSD072401-B.dwg

LIGHT GRADE C.I. SURFACE BOX

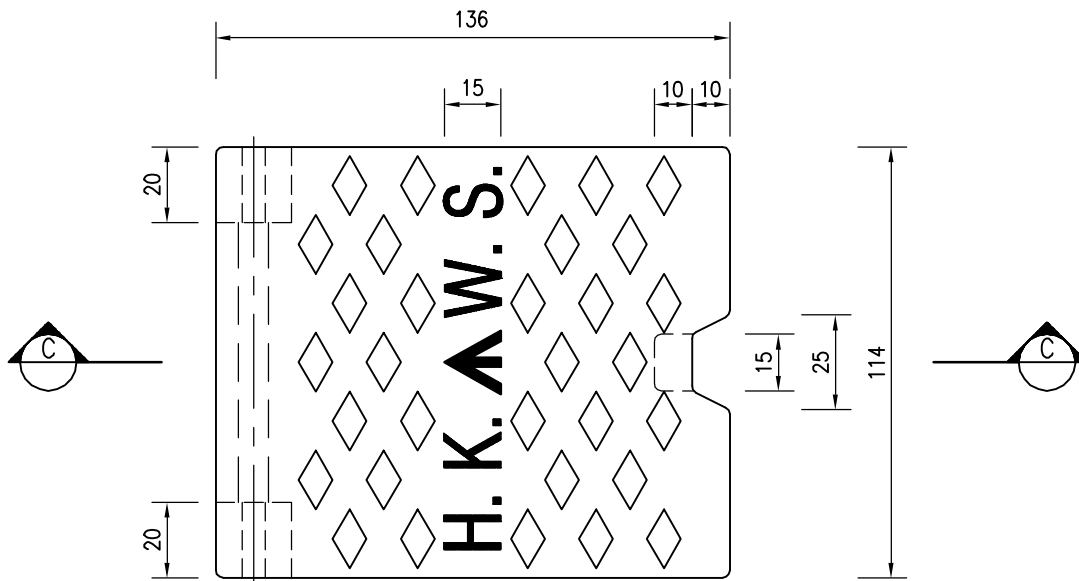


水務署  
Water Supplies Department

APPROVED	G.C. LEE AD/NW	DRAWING NO.	CSWP
DATE	9/6/92	WSD 7.24B (SHEET 1 OF 2)	
SCALE	AS SHOWN		



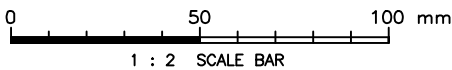
SECTION C - C



C.I. COVER

NOTES :

1. ALL DIMENSIONS ARE IN MILLIMETRES.
2. ALL EDGE RADII ARE 2mm AND FILLET RADII ARE 7mm (APPROX.).
3. TOTAL WEIGHT OF C.I. COVER AND FRAME IS APPROXIMATELY 4.5kg.



Cad Ref. : WSD072402-B.dwg

LIGHT GRADE C.I. SURFACE BOX



水務署  
Water Supplies Department

APPROVED

G.C. LEE  
AD/NW

DATE

9/6/92

SCALE

1 : 2

DRAWING NO.

WSD 7.24B  
(SHEET 2 OF 2)

CSWP