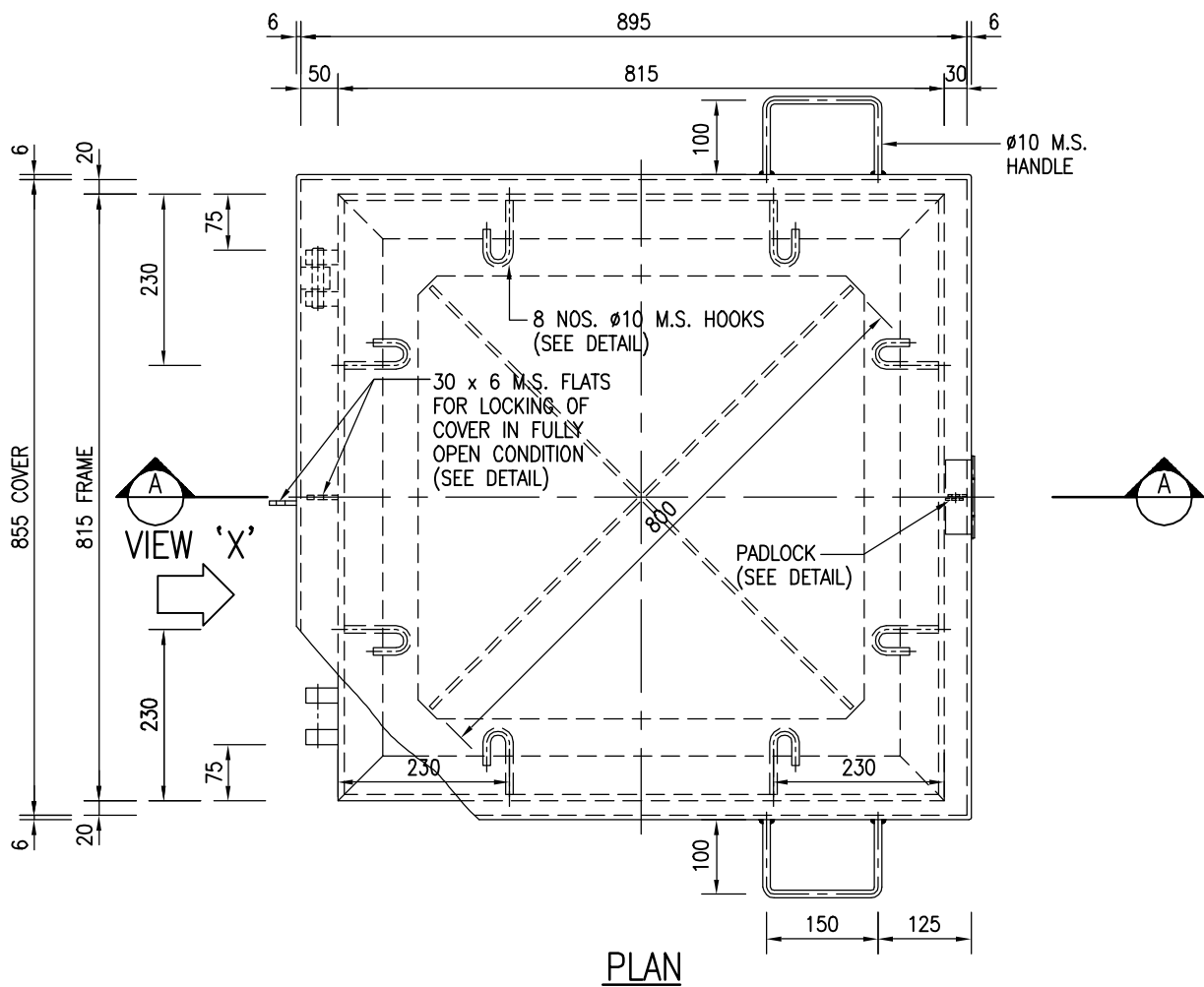
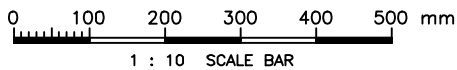


SECTION A - A



PLAN



B	RE-FORMATTED TO CSWP	W.K. CHIU	14/11/03
A	GENERAL REVISION	W.K. CHIU	21/8/00
REF.	REVISION	APPROVED	DATE

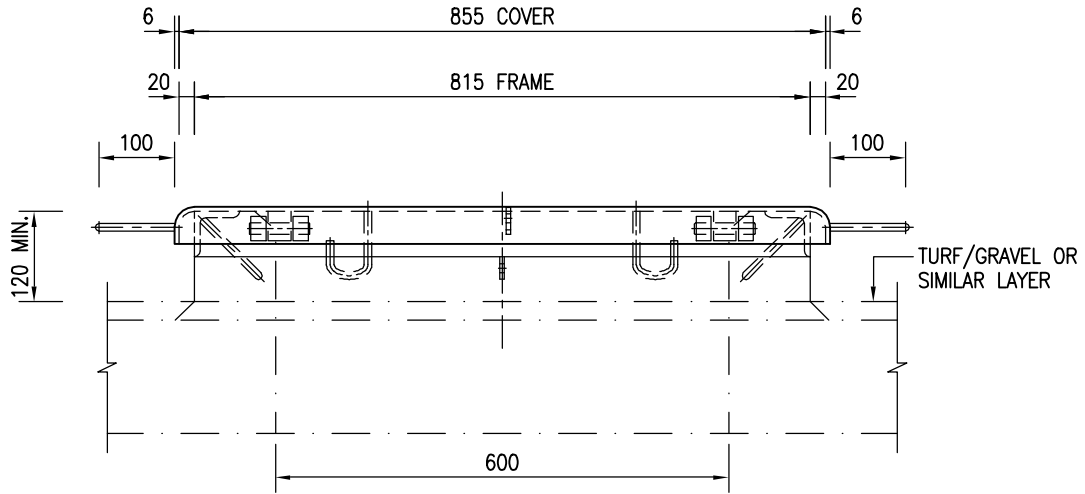
Cad Ref. : WSD072201-B.dwg

600 x 600 M.S. MANHOLE COVER

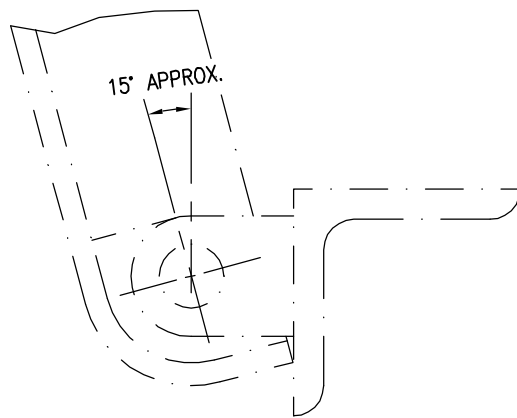


水務署
Water Supplies Department

APPROVED	G.C. LEE AD/NW	DRAWING NO. WSD 7.22B (SHEET 1 OF 4)	CSWP
DATE	9/6/92		
SCALE	1 : 10		

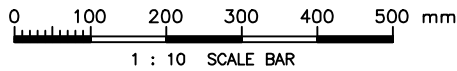
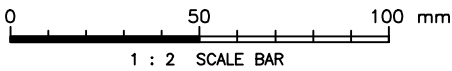


VIEW 'X'
SCALE 1 : 10



INCLINATION OF COVER
WHEN FULLY OPEN

SCALE 1 : 2



600 x 600 M.S. MANHOLE COVER



水務署
Water Supplies Department

APPROVED

G.C. LEE
AD/NW

DATE

9/6/92

SCALE

1 : 10 OR AS SHOWN

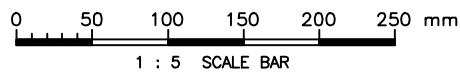
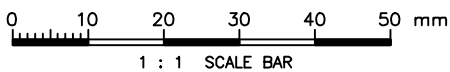
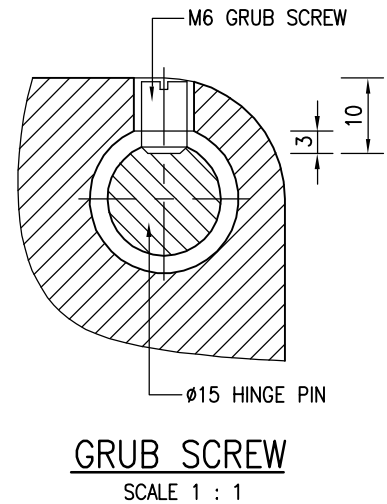
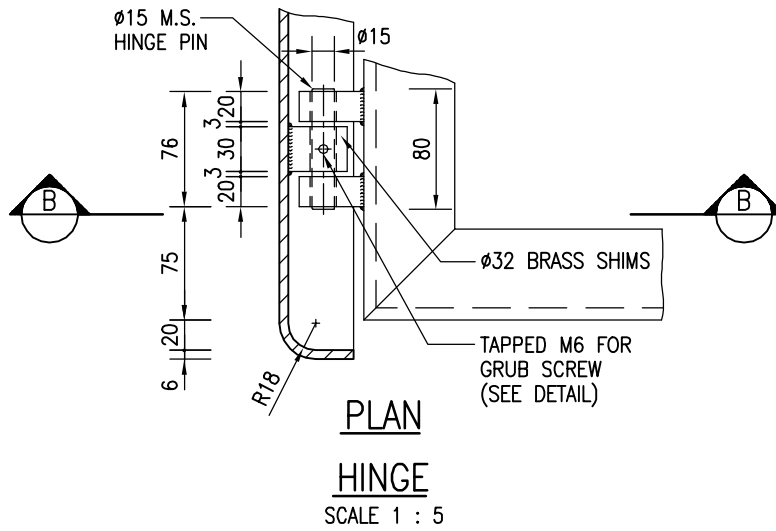
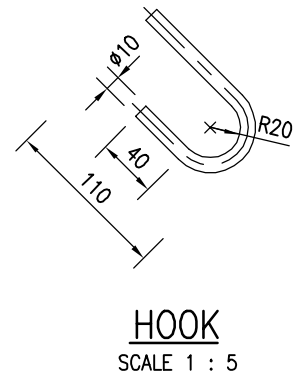
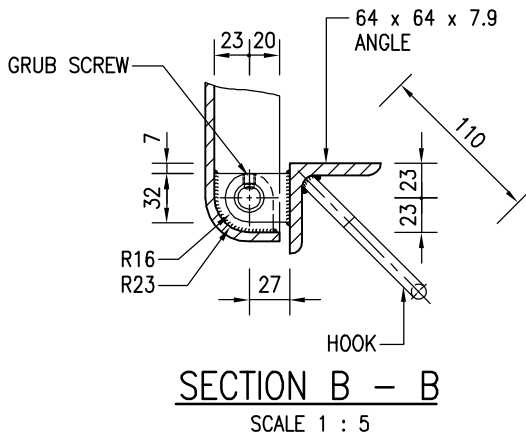
DRAWING NO.

WSD 7.22B

(SHEET 2 OF 4)

CSWP

Cad Ref. : WSD072203-B.dwg

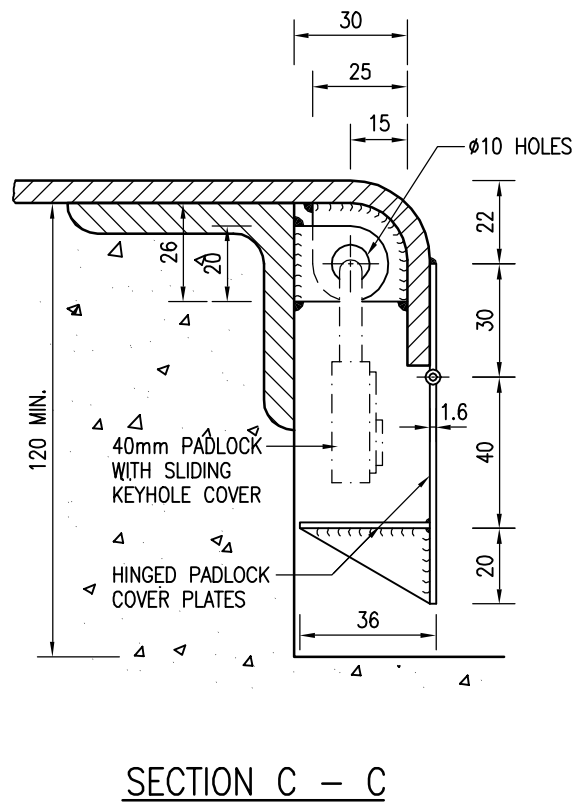
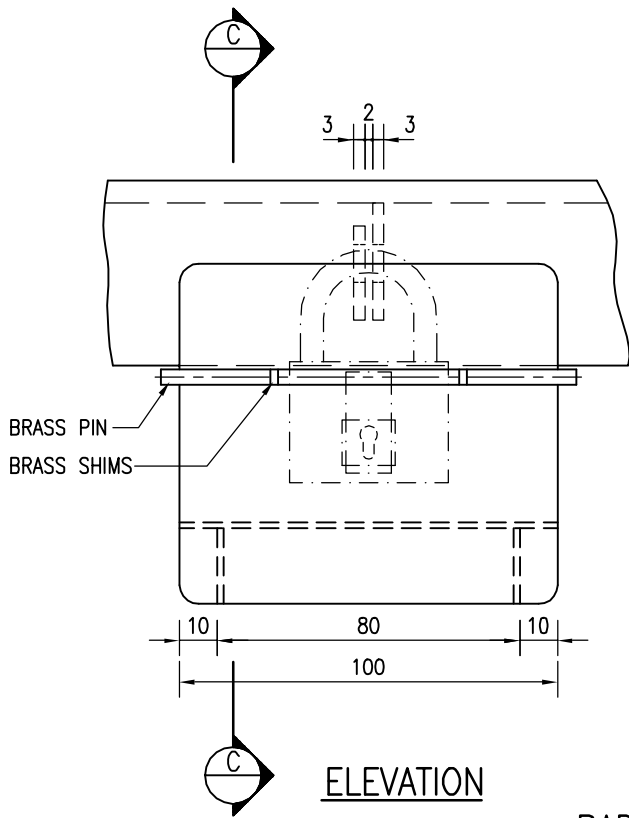


600 x 600 M.S. MANHOLE COVER

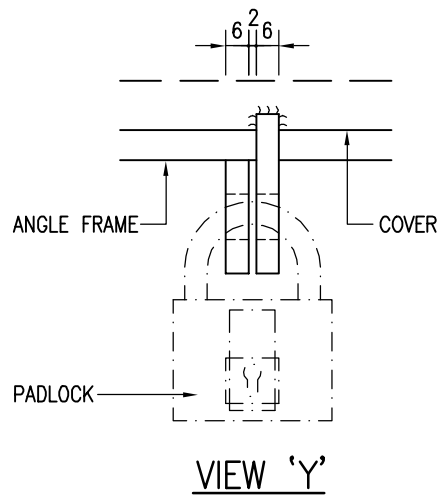
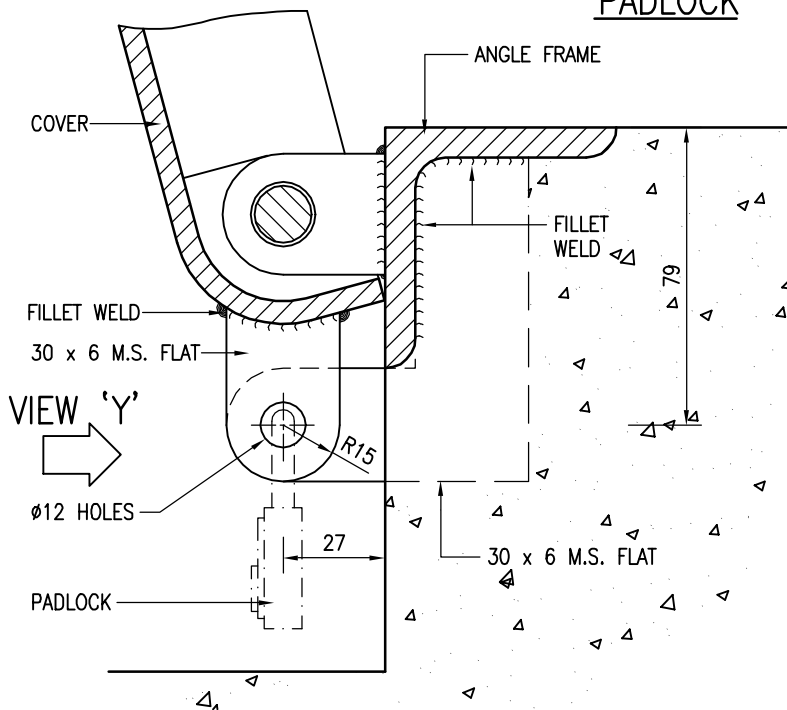


水務署
Water Supplies Department

APPROVED	G.C. LEE AD/NW	DRAWING NO. WSD 7.22B (SHEET 3 OF 4)	CSWP
DATE	9/6/92		
SCALE	1 : 5 OR AS SHOWN		



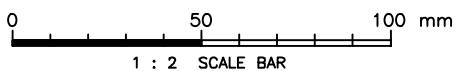
PADLOCK



LOCKING ARRANGEMENT FOR COVER IN FULLY OPEN CONDITION

NOTES :

1. ALL DIMENSIONS ARE IN MILLIMETRES.
2. ALL SURFACES TO BE SHOT BLASTED AND METAL SPRAYED AFTER FABRICATION.
3. ALL WELDS SHALL BE 3mm FILLET WELD.



600 x 600 M.S. MANHOLE COVER



水務署
Water Supplies Department

APPROVED

G.C. LEE
AD/NW

DATE

9/6/92

SCALE

1 : 2

DRAWING NO.

WSD 7.22B
(SHEET 4 OF 4)

CSWP