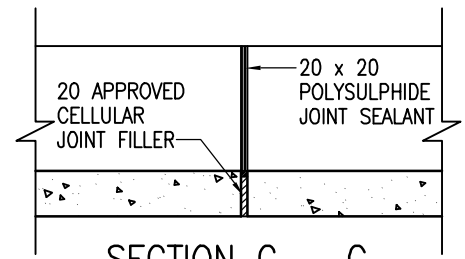
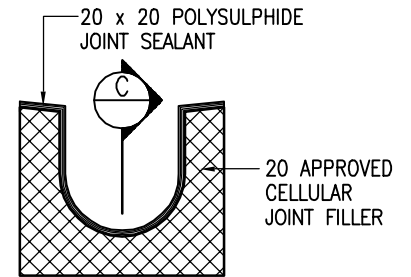


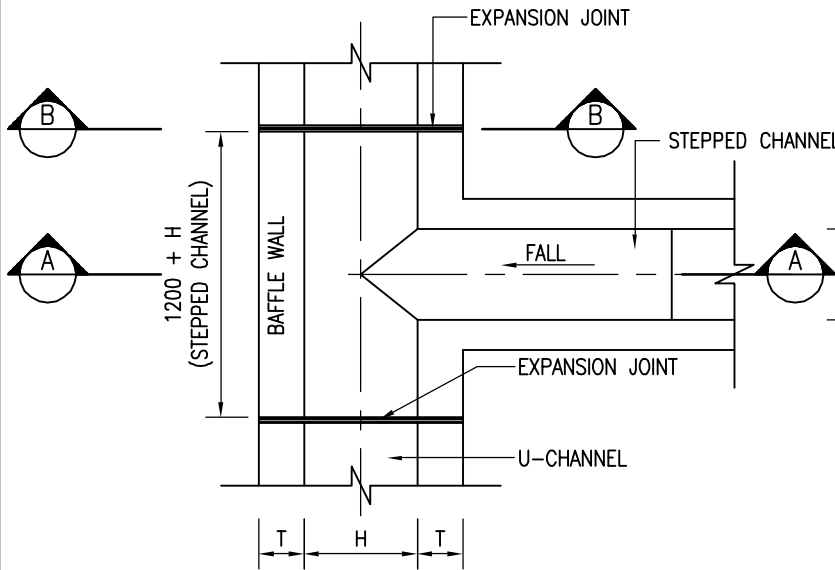
SECTION A - A



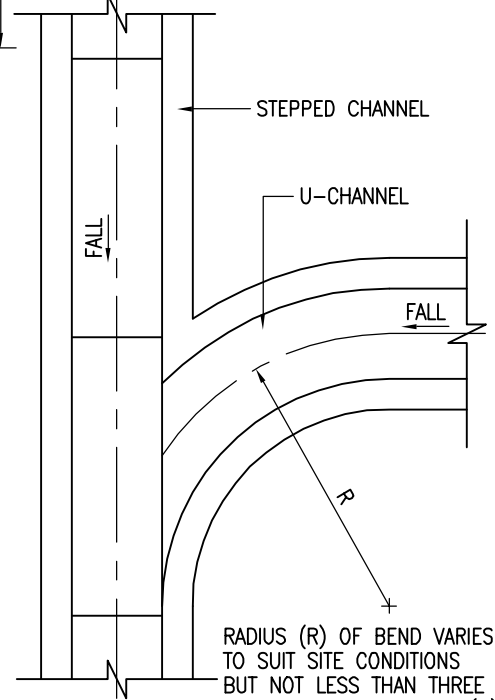
SECTION C - C



SECTION B - B  
(EXPANSION JOINT)



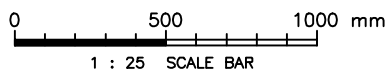
STEPPED CHANNEL  
CONNECTED TO U-CHANNEL



U-CHANNEL CONNECTED TO  
STEPPED CHANNEL

NOTES :

1. THIS DRAWING IS BASED ON CIVIL ENGINEERING DEPARTMENT STANDARD DRAWING NO. C2413C.
2. ALL DIMENSIONS ARE IN MILLIMETRES.
3. EXPANSION JOINTS SHALL BE PROVIDED AT A MAXIMUM SPACING OF 10 METRES.
4. CONCRETE SURFACE FINISH SHALL BE CLASS U2 OR F2 AS APPROPRIATE.
5. FOR DIMENSIONS B, T, H AND d REFER TO DRG. NO. WSD 7.18 AND WSD 7.20.
6. JOINTS FOR CHANNELS, BERM SLABS, APRONS AND WALL ETC. SHALL BE ON SAME ALIGNMENT.
7.  $20 \leq X \leq 50$  UNLESS OTHERWISE SPECIFIED.
8. CONCRETE SHALL BE COLOURED AS SPECIFIED IN THE CONTRACT.



C	RE-FORMATTED TO CSWP	W.K. CHIU	14/11/03
B	GENERAL REVISION	W.K. CHIU	10/10/00
A	MINOR AMENDMENTS	K.W. CHAN	23/11/93
REF.	REVISION	APPROVED	DATE

Cad Ref. : WSD072101-C.dwg

JUNCTION OF STEPPED AND  
U-CHANNELS



水務署  
Water Supplies Department

APPROVED	G.C. LEE AD/NW	DRAWING NO. WSD 7.21C	CSWP
DATE	9/6/92		
SCALE	1 : 25		