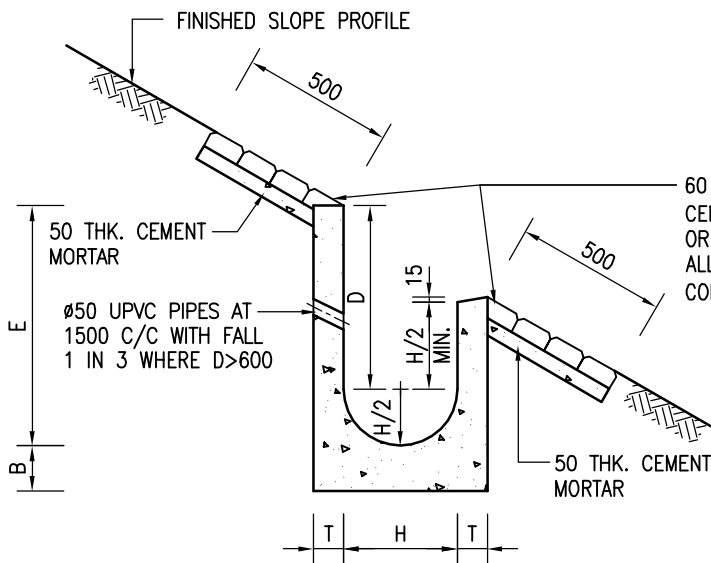
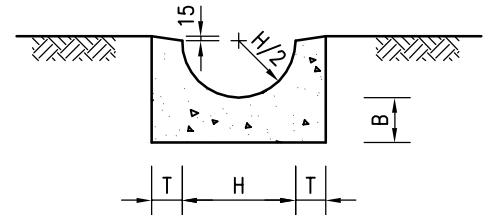


U-CHANNEL CONSTRUCTED ON BERM

NOMINAL SIZE H	T	B	REINFORCEMENT
300	80	100	A252 MESH PLACED CENTRALLY WHEN E > 750, OTHERWISE NIL.
375 - 675	100	150	
750 - 900	125	175	A252 MESH PLACED CENTRALLY



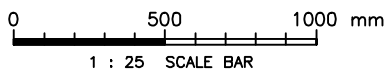
U-CHANNEL NOT CONSTRUCTED ON BERM



HALF-ROUND CHANNEL

NOTES :

- THIS DRAWING IS BASED ON CIVIL ENGINEERING DEPARTMENT STANDARD DRAWING NO. C2409F.
- ALL DIMENSIONS ARE IN MILLIMETRES.
- ALL CONCRETE GRADE SHALL BE 20/20S.
- CONCRETE SURFACE FINISH SHALL BE CLASS U2, F2 OR BRUSHED FINISH AS DIRECTED.
- SPACING OF EXPANSION JOINT IN CHANNELS, BERM SLABS AND APRONS SHALL BE 10 METRES MAXIMUM. FOR DETAILS REFER TO DRG. NO. WSD 7.21.
- JOINTS FOR CHANNELS, BERM SLABS, APRONS AND WALLS, ETC. SHALL BE ON THE SAME ALIGNMENT.
- EROSION PROTECTION GEOTEXILTE IF REQUIRED SHALL PASS UNDER THE CONCRETE APRON OR SLAB.
- CONCRETE SHALL BE COLOURED AS SPECIFIED IN THE CONTRACT.
- CONCRETE U-CHANNEL CAN BE CAST IN-SITU OR PRECAST CONCRETE SUBJECT TO THE ENGINEER'S AGREEMENT ON THE DETAILS.



C	ADDITION OF MASONRY FACING AND RE-FORMATTED TO CSWP	W.K. CHIU	14/11/03
B	GENERAL REVISION AND 100 x 150 UPSTAND ADDED AT BERM	W.K. CHIU	10/10/00
A	MINOR AMENDMENTS	K.W. CHAN	23/11/93
REF.	REVISION	APPROVED	DATE

Cad Ref. : WSD071801-C.dwg

HALF-ROUND AND U-CHANNELS (WITH MASONRY APRON)



水務署
Water Supplies Department

APPROVED	G.C. LEE AD/NW	DRAWING NO. WSD 7.18C	CSWP
DATE	9/6/92		
SCALE	1 : 25		