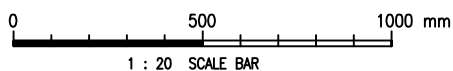


PLAN

NOTES :

1. ALL DIMENSIONS ARE IN MILLIMETRES.
2. ALL REINFORCED CONCRETE SHALL BE GRADE 35/20D.
3. THIS DRAWING SHALL BE READ IN CONJUNCTION WITH DRG. NO. WSD 7.11.
4. MINIMUM LAP LENGTH FOR RIBBED STEEL REINFORCING BARS SHALL BE 43 TIMES THE DIAMETER OF THE SMALLER LAPPED BAR UNLESS OTHERWISE SPECIFIED.
5. FOR DESCRIPTION OF REINFORCEMENT REFER TO DRG. NO. WSD 7.1.
6. NOMINAL COVER TO REINFORCEMENT SHALL BE 40mm UNLESS OTHERWISE SPECIFIED.



C	GENERAL REVISION	S.K. YEUNG	2/1/15
B	RE-FORMATTED TO CSWP	W.K. CHIU	14/11/03
A	GENERAL REVISION	W.K. CHIU	6/12/01
REF.	REVISION	APPROVED	DATE

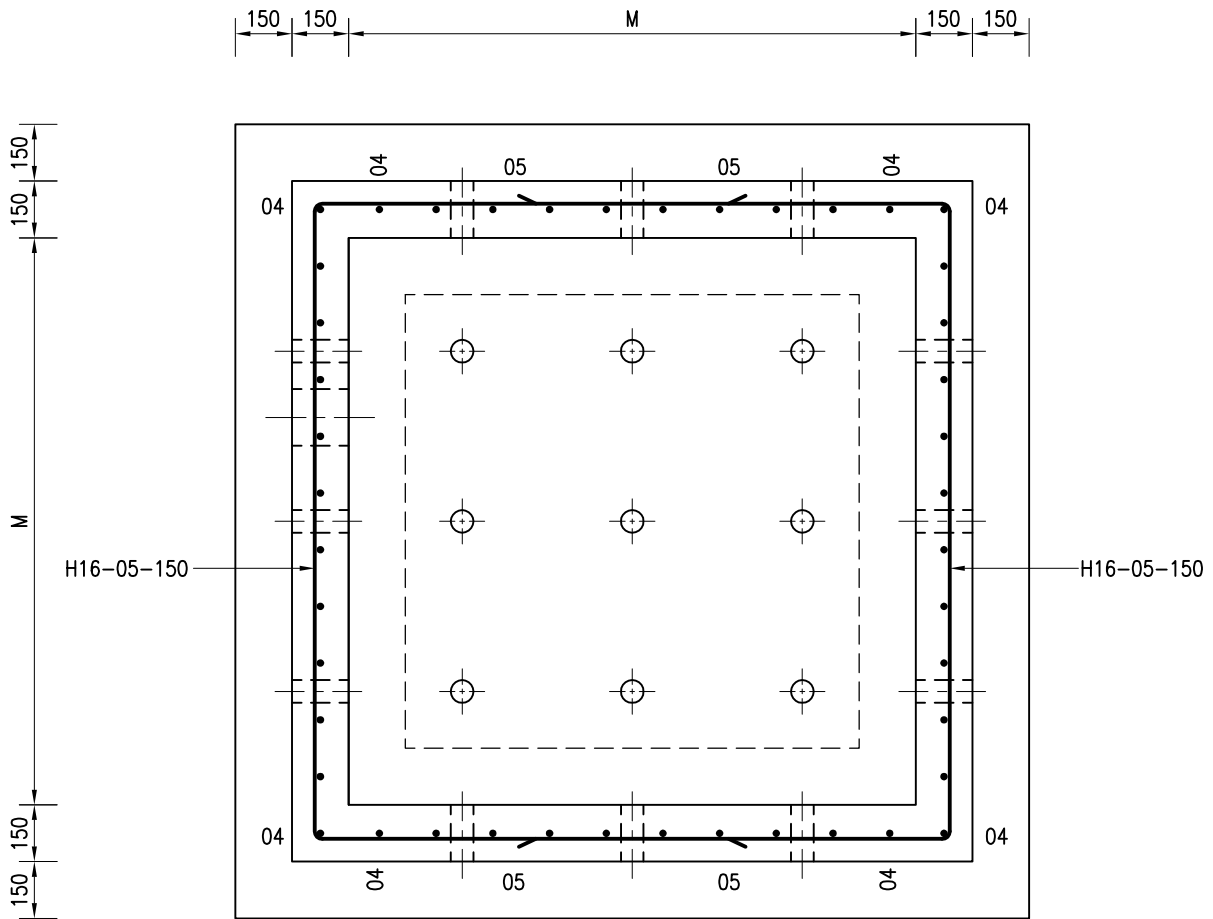
Cad Ref. : WSD071201-C.dwg

SOAKAWAY PIT -
R.C. DETAILS

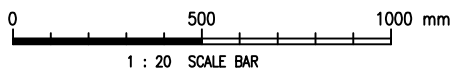


水務署
Water Supplies Department

APPROVED	G.C. LEE AD/NW	DRAWING NO.	CSWP
DATE	9/6/92	WSD 7.12C	(SHEET 1 OF 3)
SCALE	1 : 20		



SECTIONAL PLAN



Cad Ref. : WSD071202-C.dwg

SOAKAWAY PIT –
R.C. DETAILS



水務署
Water Supplies Department

APPROVED

G.C. LEE
AD/NW

DATE

9/6/92

SCALE

1 : 20

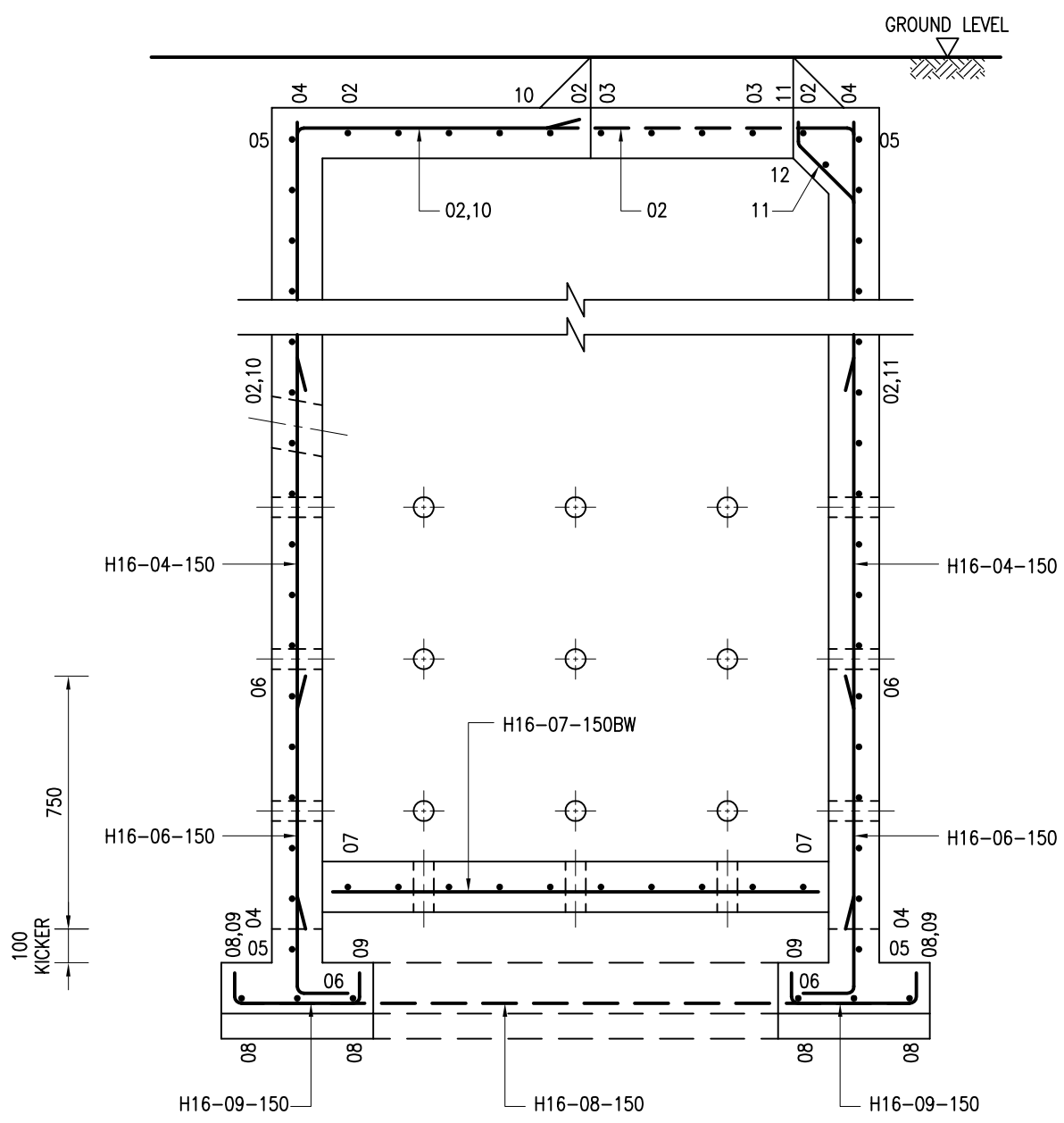
DRAWING NO.

WSD 7.12C

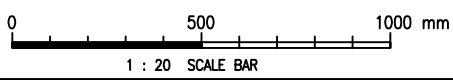
(SHEET 2 OF 3)

CSWP

Cad Ref. : WSD071203-C.dwg



SECTION A - A



SOAKAWAY PIT -
R.C. DETAILS



水務署
Water Supplies Department

APPROVED	G.C. LEE AD/NW	DRAWING NO. WSD 7.12C (SHEET 3 OF 3)	CSWP
DATE	9/6/92		
SCALE	1 : 20		