

B	RE-FORMATTED TO CSWP	W.K. CHIU	14/11/03
A	NOTES FOR SOAKAWAY SYSTEMS ADDED	W.K. CHIU	6/12/01
REF.	REVISION	APPROVED	DATE

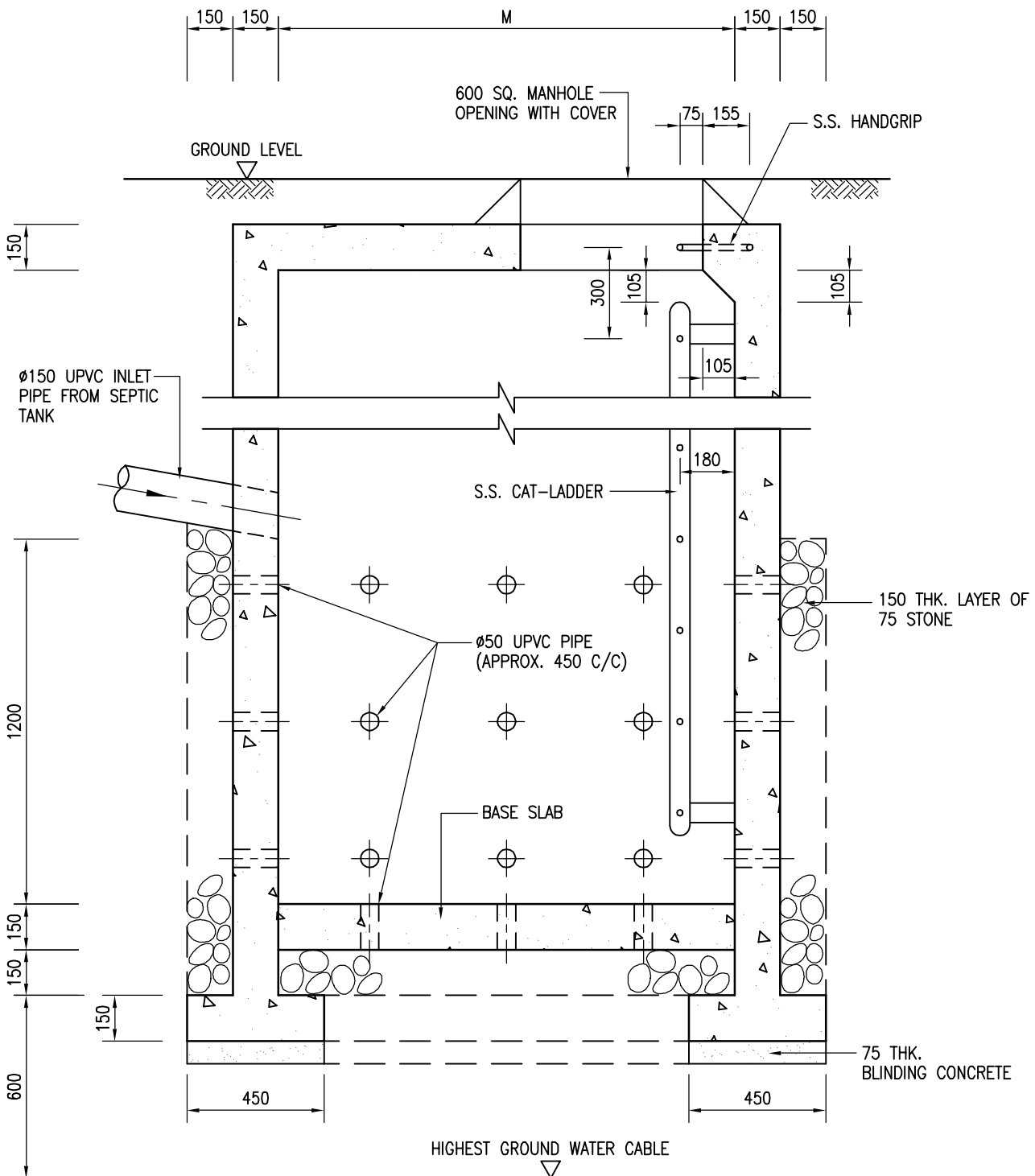
SOAKAWAY PIT –
GENERAL ARRANGEMENT



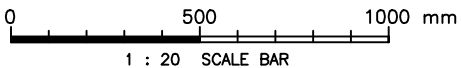
水務署
Water Supplies Department

APPROVED	G.C. LEE AD/NW	DRAWING NO.	CSWP
DATE	9/6/92	WSD 7.11B	
SCALE	1 : 20	(SHEET 1 OF 3)	

Cad Ref. : WSD071101-B.dwg



SECTION A - A



Cad Ref. : WSD071102-B.dwg

SOAKAWAY PIT -
GENERAL ARRANGEMENT



水務署
Water Supplies Department

APPROVED	G.C. LEE AD/NW	DRAWING NO. WSD 7.11B (SHEET 2 OF 3)	CSWP
DATE	9/6/92		
SCALE	1 : 20		

NOTES :

1. THIS DRAWING IS BASED ON DRAWING NO. EP 50/D1/5/02 PROVIDED IN EDP'S PRACTICE NOTE FOR PROFESSIONAL PERSONS ProPECC PN 1/94.
2. ALL DIMENSIONS ARE IN MILLIMETRES.
3. MANHOLE COVER SHALL BE AS SHOWN ON DRAWING NO. WSD 7.28.
4. EXACT INVERT LEVEL OF BASE SLAB OF SOAKAWAY PIT SHALL BE DETERMINED ON SITE OR AS SPECIFIED ON THE CONTRACT DRAWINGS.
5. SIZE (M) OF SOAKAWAY PIT SHALL BE DETERMINED BASING ON ABSORPTION CAPACITY OF SOIL AND ULTIMATE CONSUMPTION RATE.
6. ULTIMATE WATER CONSUMPTION IS ASSUMED TO BE 185 LITRES/CAPITA/DAY.
7. PERCOLATION TEST FOR DETERMINING ABSORPTION CAPACITY OF SOIL,
 - a. EXCAVATE A HOLE 300mm SQUARE TO THE SAME DEPTH OF THE PIT.
 - b. FILL THE HOLE WITH APPROXIMATELY 150mm OF WATER AND ALLOW TO SEEP AWAY COMPLETELY.
 - c. REFILL THE HOLE WITH WATER TO A DEPTH OF 150mm AND OBSERVE THE TIME IN MINUTES FOR WATER TO SEEP AWAY COMPLETELY.
 - d. DIVIDE THE TIME BY 6 TO GIVE THE TIME TAKEN TO FALL 25mm.
8. ALLOWABLE LOADING OF SOAKAWAY SYSTEMS

BASED ON THE ABOVE PERCOLATION TEST, THE SIZE OF THE SOAKAWAY PIT SHALL BE DETERMINED IN ACCORDANCE WITH THE FOLLOWING TABLE :

TIME IN MINUTES FOR WATER TO FALL 25mm IN TEST PIT	ALLOWABLE LOADING IN LITRES PER m ² PER DAY
1 OR LESS	216
2	175
5	130
10	94
30	45

9. MINIMUM CLEARANCE REQUIREMENTS FOR SOAKAWAY SYSTEMS

	DISTANCE FROM SOAKAWAY SYSTEMS (m)	
BUILDING	3	
RETAINING WALLS	6	
WELLS	50	
STREAM WHERE THE BED IS LOWER THAN INVERT OF SOAKAWAY SYSTEM	15(30)*	* THESE DISTANCES SHOULD BE INCREASED TO DISTANCES SHOWN IN BRACKETS IF THE WATER FROM THE STREAM OR POOL IS USED OR LIKELY TO BE FOR DRINKING OR DOMESTIC PURPOSES.
POOLS	7.5(30)*	
CUTS OR EMBANKMENTS	30	
PATHS	1.5	
BEACHES	100	(FROM BOUNDARIES OF GAZETTED BEACHES OR BATHING BEACH SUBZONES OF WATER CONTROL ZONES)
	30	(FROM HIGH WATER MARK AND FROM NEAREST WATERCOURSES FOR OTHER CASES)
GROUND WATER TABLE	0.6	(BELOW INVERT)

10. ALL REINFORCED CONCRETE SHALL BE GRADE 35/20D. BLINDING CONCRETE SHALL BE GRADE 20/20D.
11. FOR DETAILS OF CAT-LADDER REFER TO DRG. NO. WSD 7.3.

Cad Ref. : WSD071103-B.dwg

SOAKAWAY PIT –
GENERAL ARRANGEMENT



水務署
Water Supplies Department

APPROVED	G.C. LEE AD/NW	DRAWING NO.	CSWP
DATE	9/6/92	WSD 7.11B (SHEET 3 OF 3)	
SCALE	NOT APPLICABLE		