

F	GENERAL REVISION	S.K. YEUNG	12/1/15
E	NOTES 2 AND 3 UPDATED	W.K. CHIU	18/7/08
D	RE-FORMATTED TO CSWP	W.K. CHIU	14/11/03
C	GENERAL REVISION	W.K. CHIU	10/10/00
B	GENERAL REVISION	K.W. CHAN	17/4/97
A	GENERAL REVISION AND RETITLED	K.W. CHAN	23/11/94
REF.	REVISION	APPROVED	DATE

HANDRAILS FOR WORKING PLATFORM AND WALKWAY

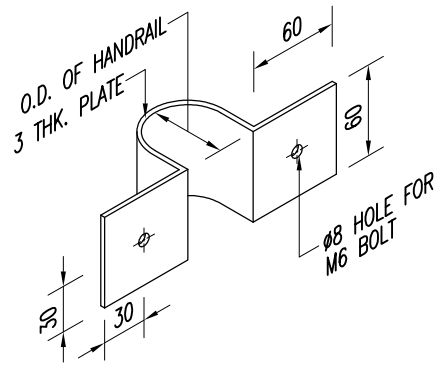
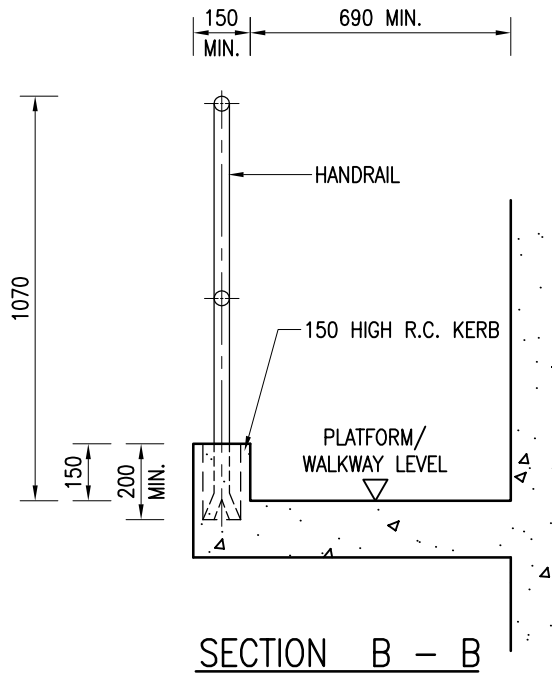


水務署
Water Supplies Department

APPROVED G.C. LEE
AD/NW
DATE 9/6/92
SCALE 1 : 20

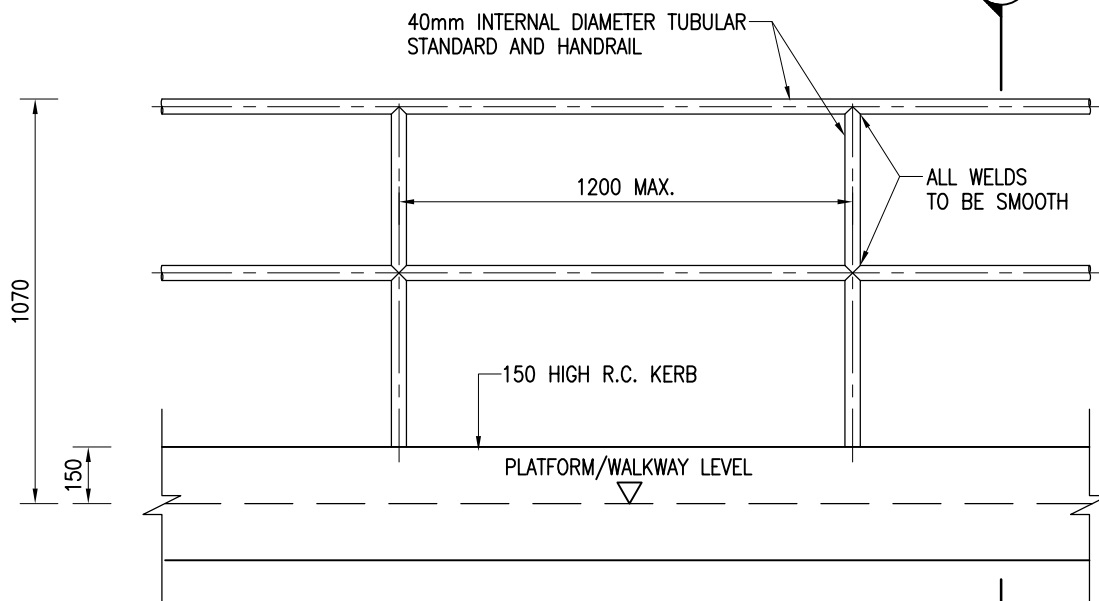
DRAWING NO. WSD 7.5F
(SHEET 1 OF 2)

CSWP



MOUNTING BRACKET

SCALE 1 : 5

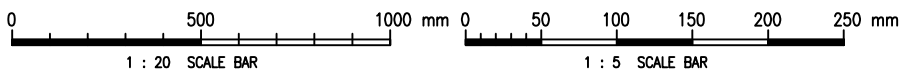


ELEVATION

(FOR CONCRETE PLATFORM AND WALKWAY WITH KERB)

NOTES :

1. ALL DIMENSIONS ARE IN MILLIMETRES.
2. THE MATERIALS USED FOR THE CONSTRUCTION OF HANDRAIL SHALL BE EITHER STAINLESS STEEL OF STEEL NUMBER 1.4401 TO BS EN 10088 OR MILD STEEL HOT-DIP GALVANIZED TO BS EN ISO 1461, AS SPECIFIED IN THE CONTRACT.
3. MILD STEEL HANDRAILS AND STANDARDS SHALL BE PAINTED WITH SYSTEM H OF G.S. TABLE 24.9. MILD STEEL STEEL PLATFORM/WALKWAYS SHALL BE PAINTED WITH SYSTEM E OF G.S. CLAUSE 18.63(1).
4. EXACT SHAPE AND DIMENSIONS OF THE PLATFORM AND WALKWAY TO BE AS SHOWN ON THE CONTRACT DRAWINGS.
5. ALL WELDING SHALL BE 5mm FILLET WELD.



Cad Ref. : WSD070502-F.dwg

HANDRAILS FOR WORKING PLATFORM AND WALKWAY



水務署
Water Supplies Department

APPROVED

G.C. LEE
AD/NW

DATE

9/6/92

SCALE

1 : 20 OR AS SHOWN

DRAWING NO.

WSD 7.5F

(SHEET 2 OF 2)

CSWP