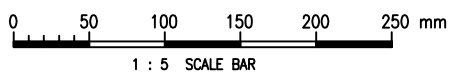
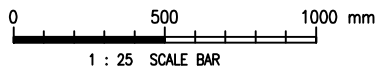


SECTIONAL ELEVATION



Cad Ref. : WSD070401-D.dwg

D	GENERAL REVISION	S.K. YEUNG	12/1/15
C	NOTE 4 UPDATED	W.K. CHIU	18/7/08
B	RE-FORMATTED TO CSWP	W.K. CHIU	14/11/03
A	GENERAL REVISION	W.K. CHIU	21/8/00
REF.	REVISION	APPROVED	DATE

INCLINED LADDER –  
EXTERNAL ACCESS



水務署  
Water Supplies Department

APPROVED

G.C. LEE  
AD/NW

DATE

9/6/92

SCALE

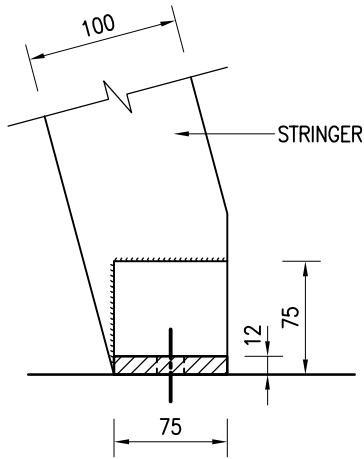
1 : 25 OR AS SHOWN

DRAWING NO.

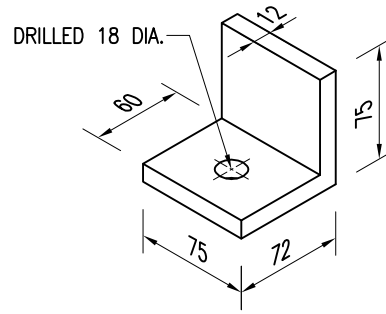
WSD 7.4D

(SHEET 1 OF 2)

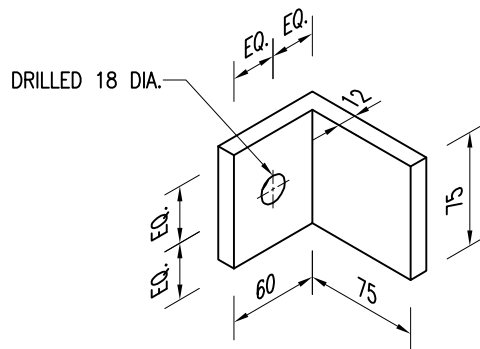
CSWP



DETAIL '2'



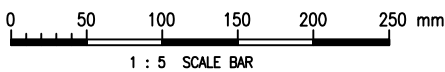
BOTTOM BRACKET



TOP FIXING BRACKET

NOTES :

1. ALL DIMENSIONS ARE IN MILLIMETRES.
2. SINGLE LINE HANDRAILS SHALL BE 50mm BORE TUBE SUPPORTED BY BALL TYPE TUBULAR OR SOLID FORGED STANDARDS.
3. TREADS SHALL BE APPROVED PROPRIETARY OPEN MESH TYPE.
4. THE MATERIALS USED FOR THE CONSTRUCTION OF LADDERS AND CONNECTIONS SHALL BE EITHER STAINLESS STEEL OF STEEL NUMBER 1.4401 TO BS EN 10088 OR MILD STEEL HOT-DIP GALVANIZED TO BS EN ISO 1461, AS SPECIFIED IN THE CONTRACT.
5. MAXIMUM RISE OF STEP LADDER SHALL NOT EXCEED 3.5m.
6. FIXING SHALL BE 16mm SELF-DRILLING ANCHOR.
7. MINIMUM SPACE BETWEEN SIDE WALLS SHALL BE 600mm.
8. WIDTH BETWEEN STRINGERS SHALL BE 550mm.



Cad Ref. : WSD070402-D.dwg



水務署  
Water Supplies Department

INCLINED LADDER —  
EXTERNAL ACCESS

APPROVED

G.C. LEE  
AD/NW

DATE

9/6/92

SCALE

1 : 5

DRAWING NO.

WSD 7.4D

(SHEET 2 OF 2)

CSWP