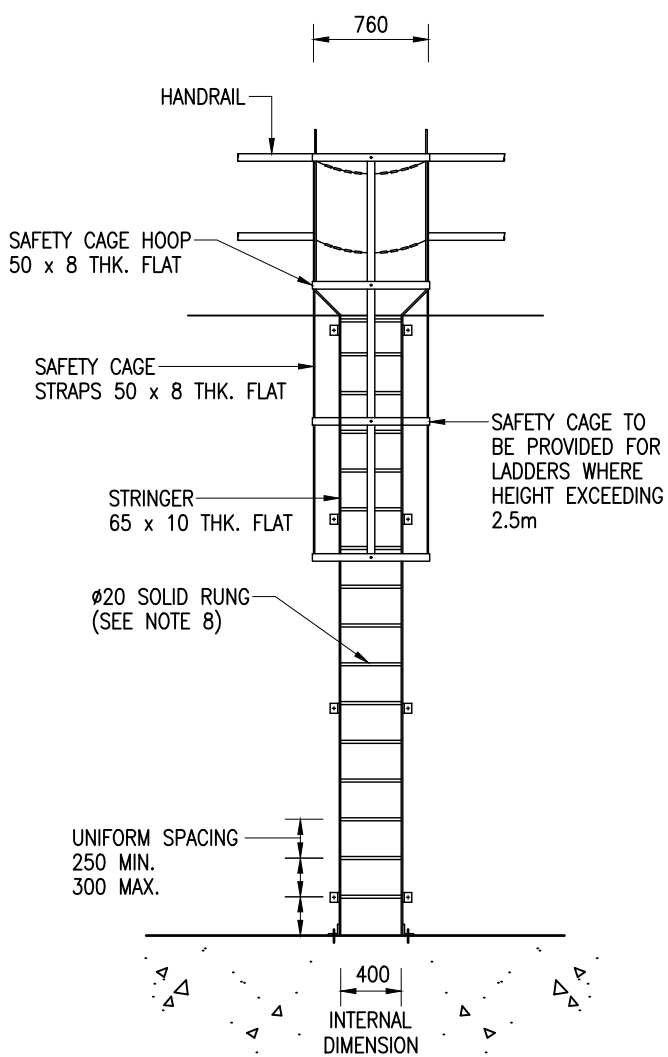
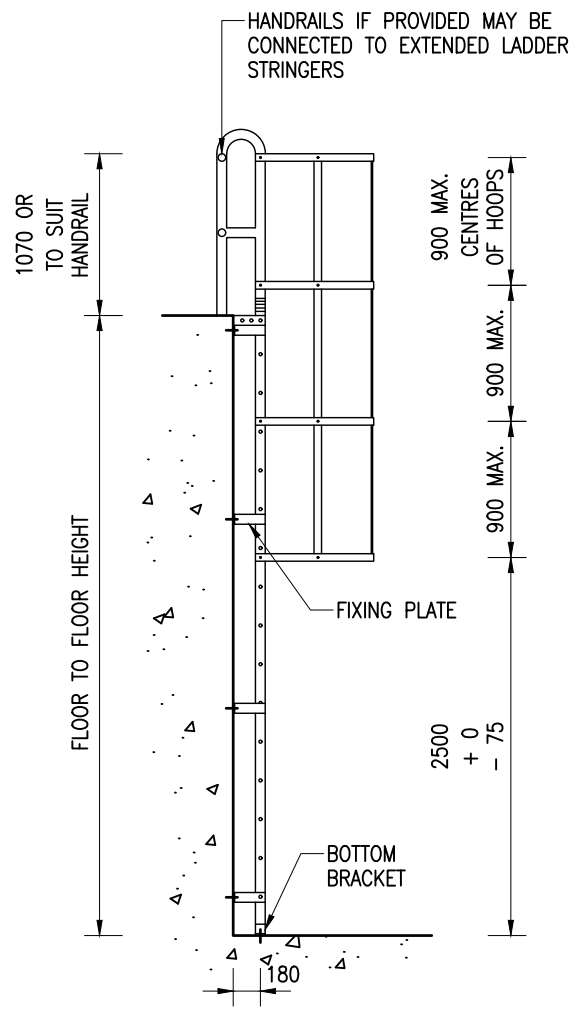


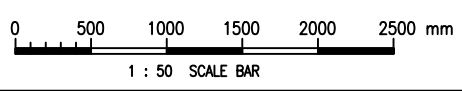
Cad Ref. : WSD070201 - F.dwg



**FRONT ELEVATION**



**SIDE ELEVATION**



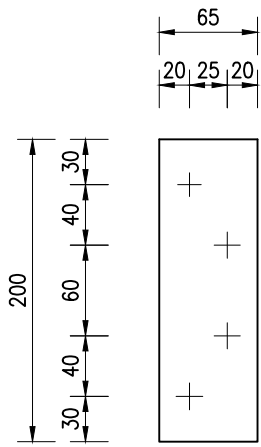
F	GENERAL REVISION	C.Y. CHAN	4/5/23
E	GENERAL REVISION	S.K. YEUNG	12/1/15
D	NOTE 2 UPDATED	W.K. CHIU	18/7/08
C	RE-FORMATTED TO CSWP	W.K. CHIU	14/11/03
B	GENERAL REVISION	W.K. CHIU	10/10/00
A	GENERAL REVISION	K.W. CHAN	5/5/97
REF.	REVISION	APPROVED	DATE

**VERTICAL LADDER –  
EXTERNAL ACCESS**



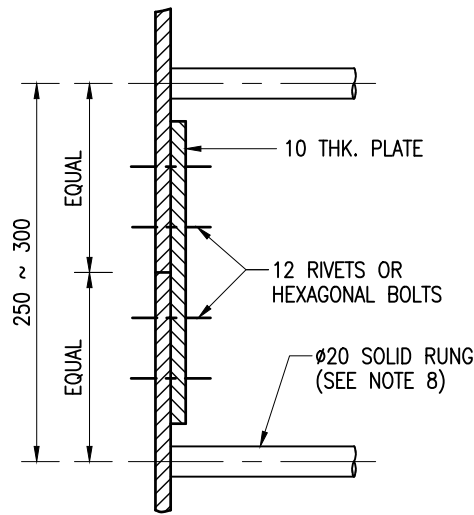
**水務署  
Water Supplies Department**

APPROVED	G.C. LEE AD/NW	DRAWING NO.	CSWP
DATE	9/6/92	WSD 7.2F	(SHEET 1 OF 3)
SCALE	1 : 50		

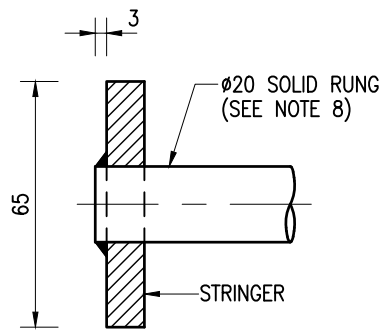


ELEVATION

FISH PLATE

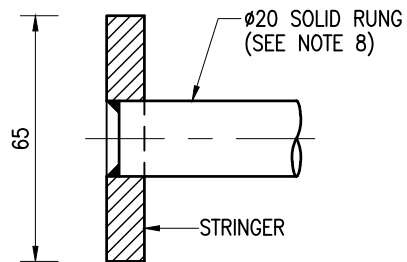
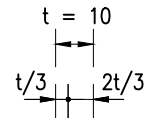


SECTION



WELDED

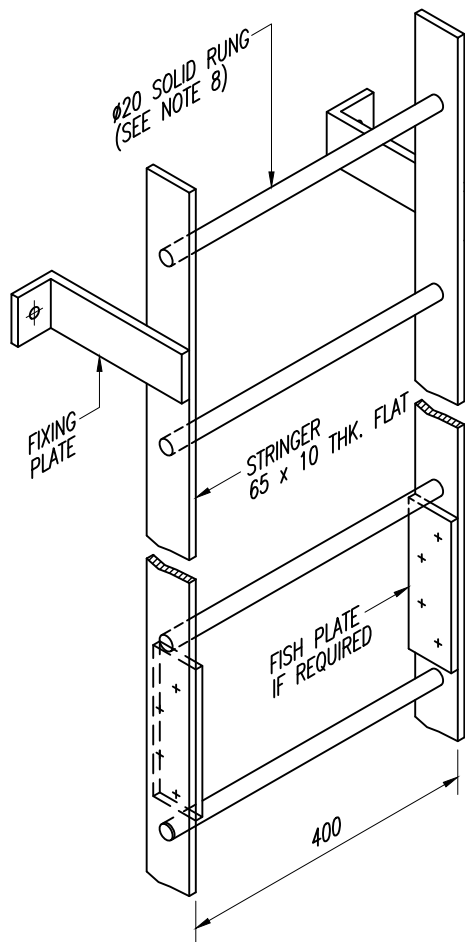
SCALE 1 : 2



WELDED

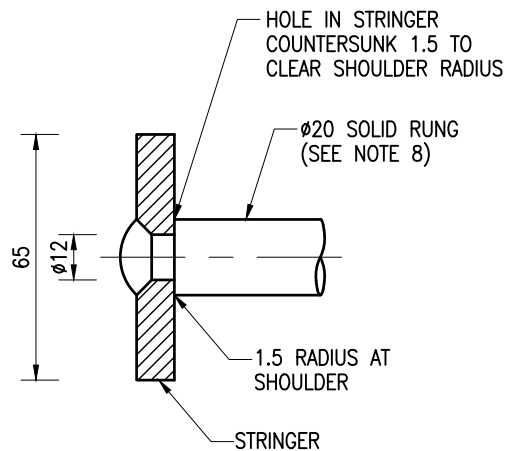
SCALE 1 : 2

TYPICAL DETAILS OF CONNECTIONS



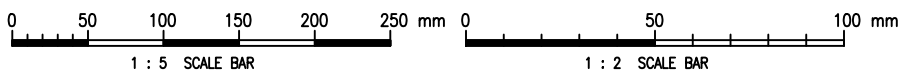
ISOMETRIC VIEW OF VERTICAL LADDER

N.T.S.



RIVETED

SCALE 1 : 2



Cad Ref. : WSD070202-F.dwg

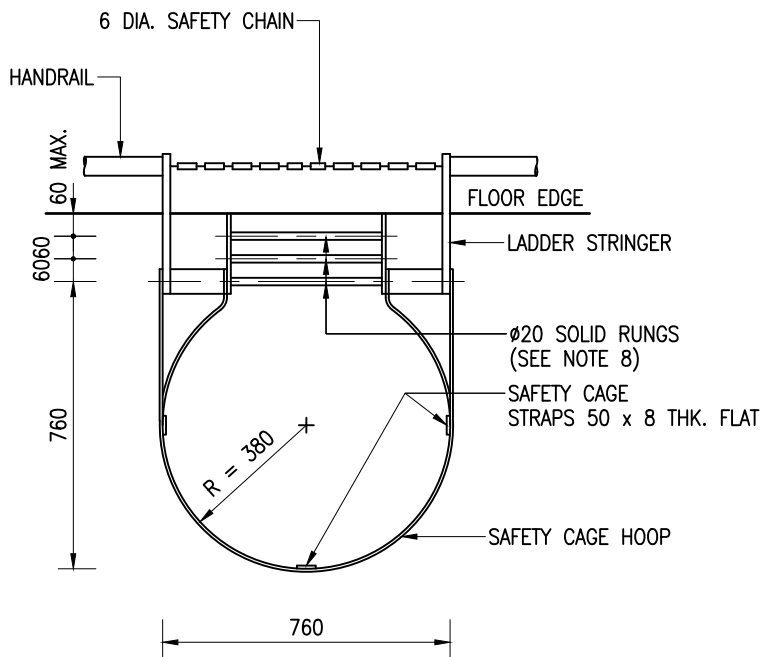
VERTICAL LADDER –  
EXTERNAL ACCESS



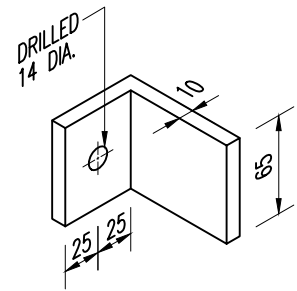
水務署  
Water Supplies Department

APPROVED	G.C. LEE AD/NW
DATE	9/6/92
SCALE	1 : 5 OR AS SHOWN

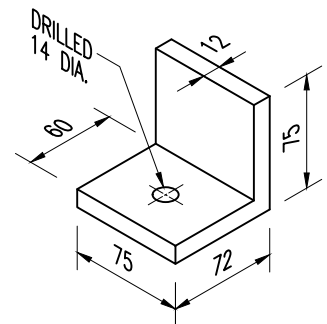
DRAWING NO.	CSWP
WSD 7.2F	
(SHEET 2 OF 3)	



**CIRCULAR HOOP**



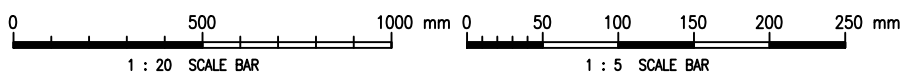
**FIXING PLATE**  
SCALE 1 : 5



**BOTTOM BRACKET**  
SCALE 1 : 5

NOTES :

1. ALL DIMENSIONS ARE IN MILLIMETRES.
2. THE MATERIALS USED FOR THE CONSTRUCTION OF LADDERS, HOOPS AND CONNECTIONS SHALL BE EITHER STAINLESS STEEL OF STEEL NUMBER 1.4401 TO BS EN 10088 OR MILD STEEL HOT-DIP GALVANIZED TO BS EN ISO 1461, AS SPECIFIED IN THE CONTRACT.
3. FIXING SHALL BE BY 12mm SELF-DRILLING ANCHOR.
4. FIXING PLATES WELDED TO STRINGERS, SHALL BE PROVIDED AT INTERVALS NOT EXCEEDING 2m BETWEEN FLOOR HEIGHTS.
5. SAFETY CAGE SHALL BE PROVIDED WHERE HEIGHT OF LADDER EXCEEDS 2.5m.
6. HOLES IN STRINGER SHALL BE DRILLED TO GIVE A 0.8mm CLEARANCE.
7. THREE VERTICAL SAFETY CAGE STRAPS SHALL BE FITTED INTERNALLY TO BRACE THE HOOPS IN THE POSITIONS SHOWN. WHERE BOLTED CONNECTIONS ARE USED, M12 BOLTS OF COUNTERSUNK OR CUPHEAD TYPE SHALL BE USED WITH THE HEAD ON THE INSIDE.
8. APPROVED ANTI-SLIP DRESSING TO BE APPLIED ON SOLID RUNGS IF INSTRUCTED BY THE ENGINEER.



Cad Ref. : WSD070203-F.dwg

VERTICAL LADDER –  
EXTERNAL ACCESS



水務署  
Water Supplies Department

APPROVED	G.C. LEE AD/NW	DRAWING NO.	CSWP
DATE	9/6/92	WSD 7.2F	(SHEET 3 OF 3)
SCALE	1 : 20 OR AS SHOWN		