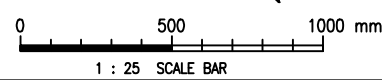


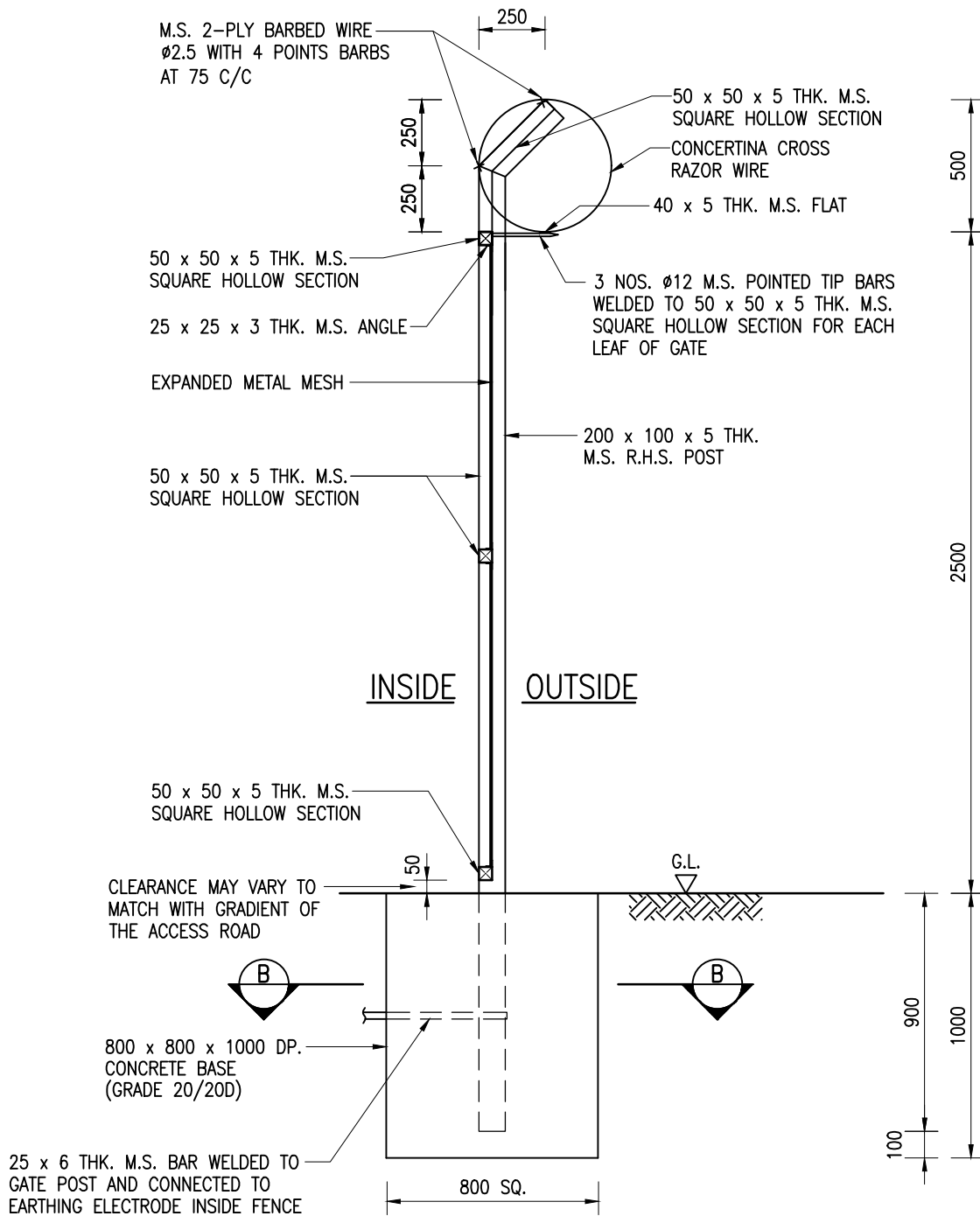
ELEVATION (FROM INSIDE)



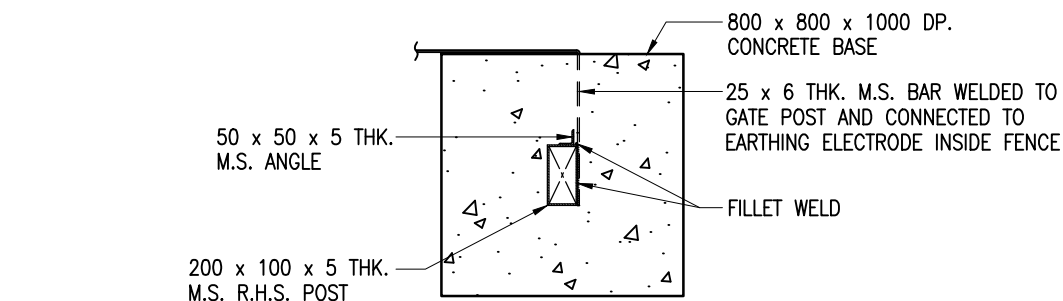
Cad Ref. : WSD061401.dwg

REF.	REVISION	APPROVED	DATE
APPROVED	O.L. PANG AD/NW	<div style="text-align: center;"> <p>水務署 Water Supplies Department</p> </div>	
DATE	13/8/19		
SCALE	1 : 25		
		DRAWING NO.	CSWP
		WSD 6.14	
		(SHEET 1 OF 8)	

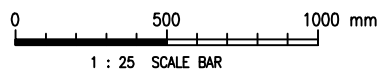
MAIN GATE FOR HIGH STRENGTH SECURITY FENCE (3 METRE HIGH)



SECTION A - A



SECTION B - B



Cod Ref. : WSD061402.dwg



水務署
 Water Supplies Department

MAIN GATE FOR HIGH STRENGTH SECURITY FENCE (3 METRE HIGH)

APPROVED

O.L. PANG
 AD/NW

DATE

13/8/19

SCALE

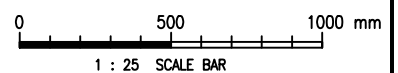
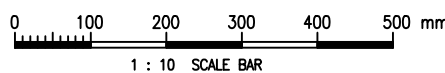
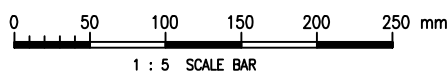
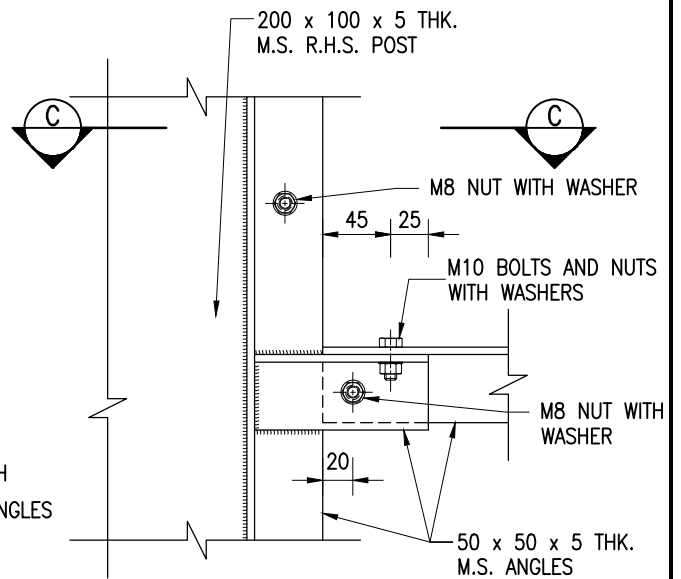
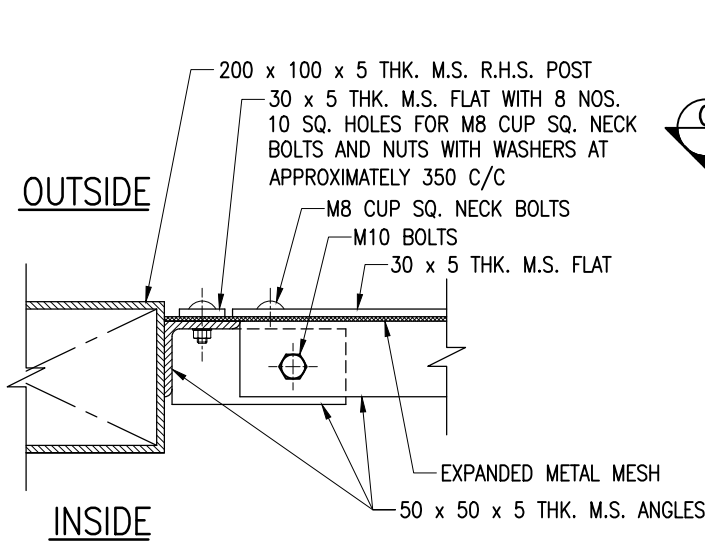
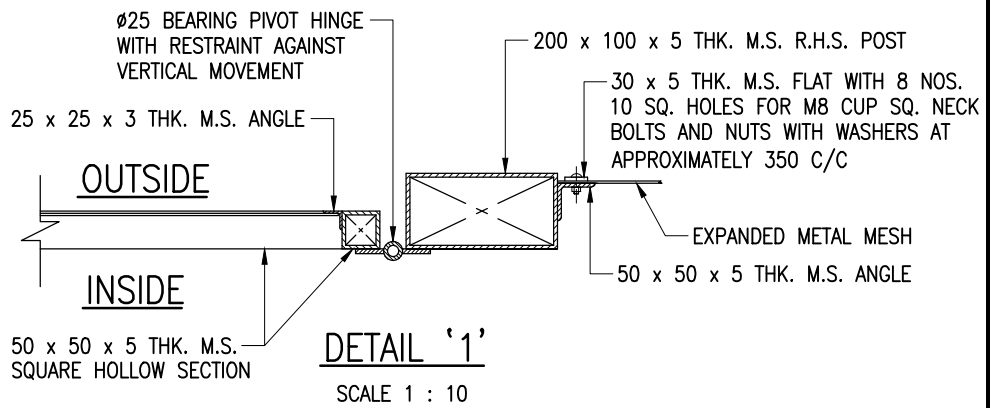
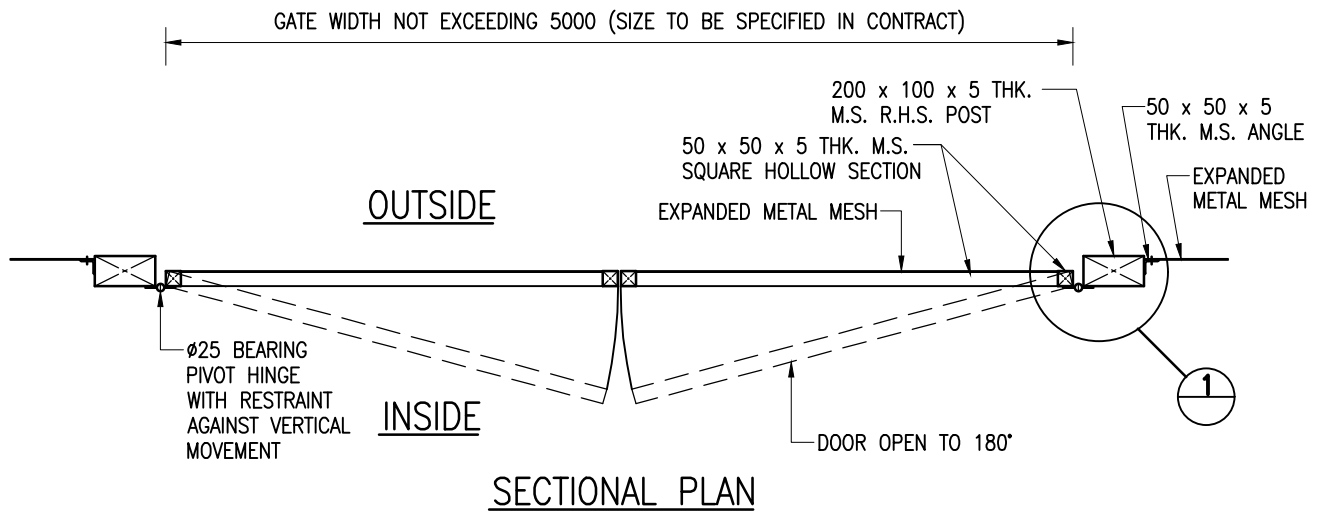
1 : 25

DRAWING NO.

WSD 6.14

(SHEET 2 OF 8)

CSWP



Cad Ref. : WSD061403.dwg

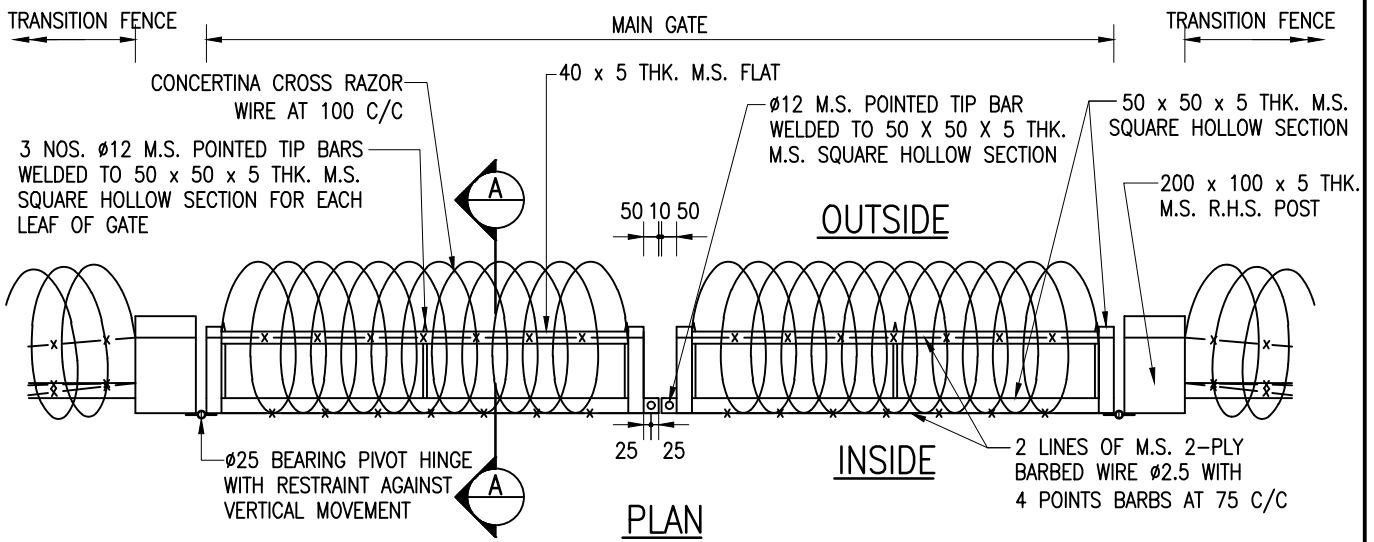
MAIN GATE FOR HIGH STRENGTH SECURITY FENCE (3 METRE HIGH)



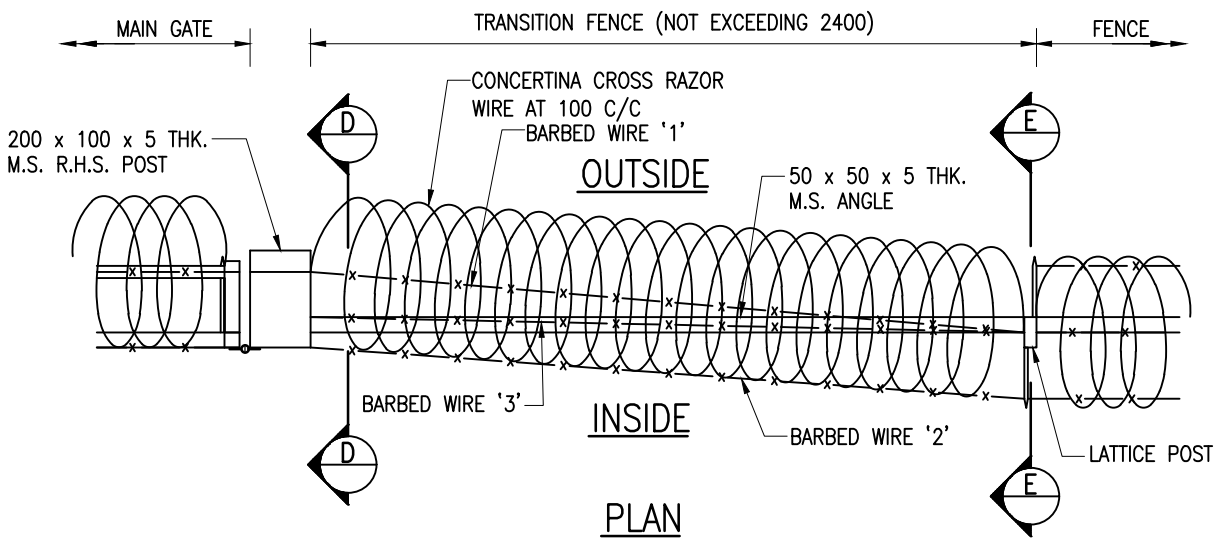
水務署
Water Supplies Department

APPROVED	O.L. PANG AD/NW
DATE	13/8/19
SCALE	1 : 25 OR AS SHOWN

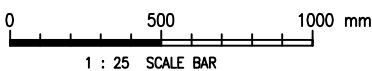
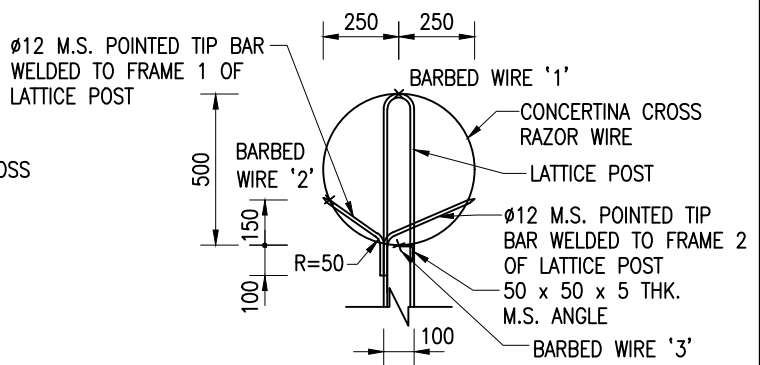
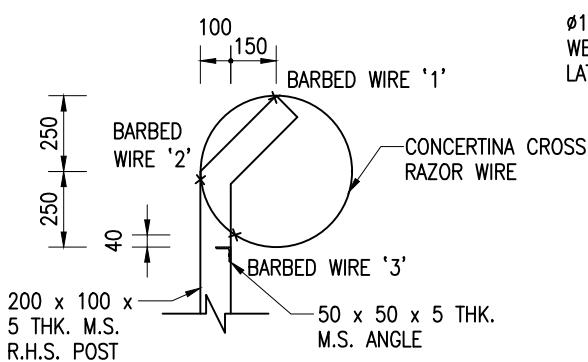
DRAWING NO.	CSWP
WSD 6.14	
(SHEET 3 OF 8)	



LAYOUT OF CROSS RAZOR WIRE FOR MAIN GATE



LAYOUT OF CROSS RAZOR WIRE FOR TRANSITION FENCE



Cod Ref. : WSD061404.dwg

MAIN GATE FOR HIGH STRENGTH SECURITY FENCE (3 METRE HIGH)



水務署
Water Supplies Department

APPROVED

O.L. PANG
AD/NW

DATE

13/8/19

SCALE

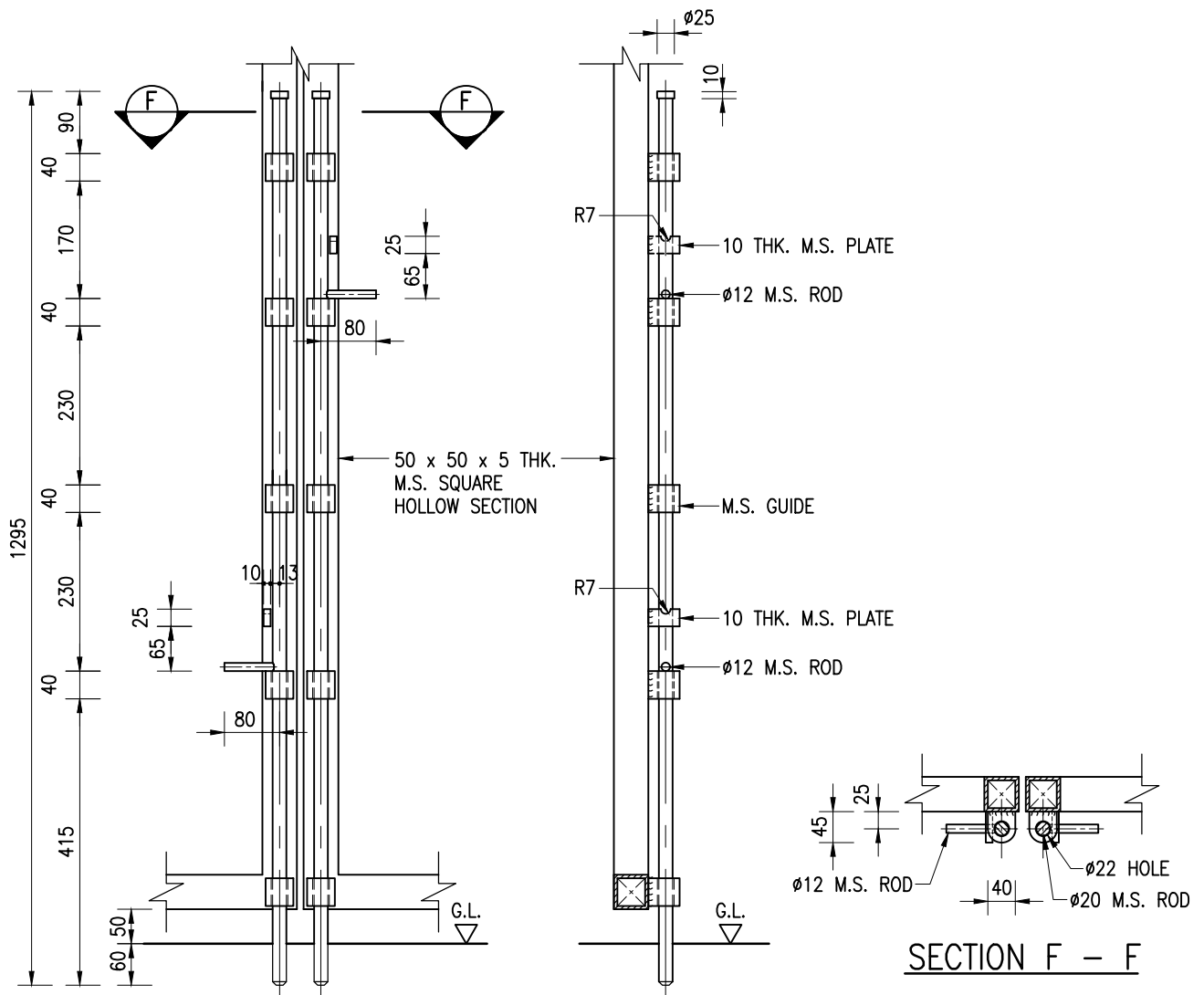
1 : 25

DRAWING NO.

WSD 6.14

(SHEET 4 OF 8)

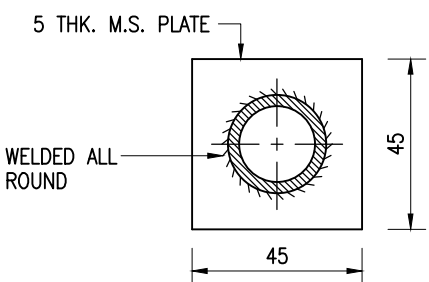
CSWP



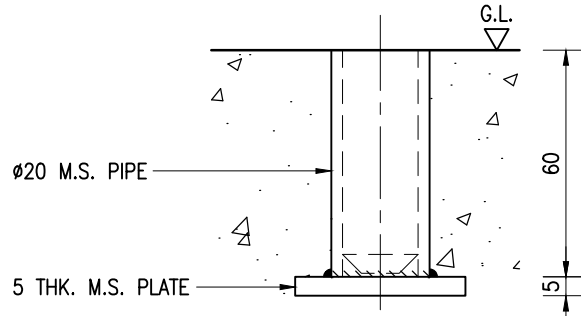
FRONT ELEVATION SIDE ELEVATION

M.S. LATCH BOLT

(LOCKING BUSH NOT SHOWN FOR CLARITY)

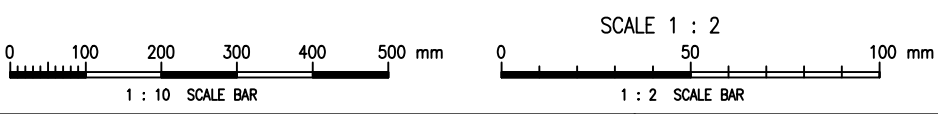


SECTIONAL PLAN



ELEVATION

M.S. LOCKING BUSH

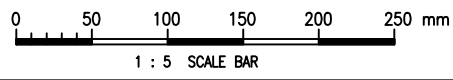
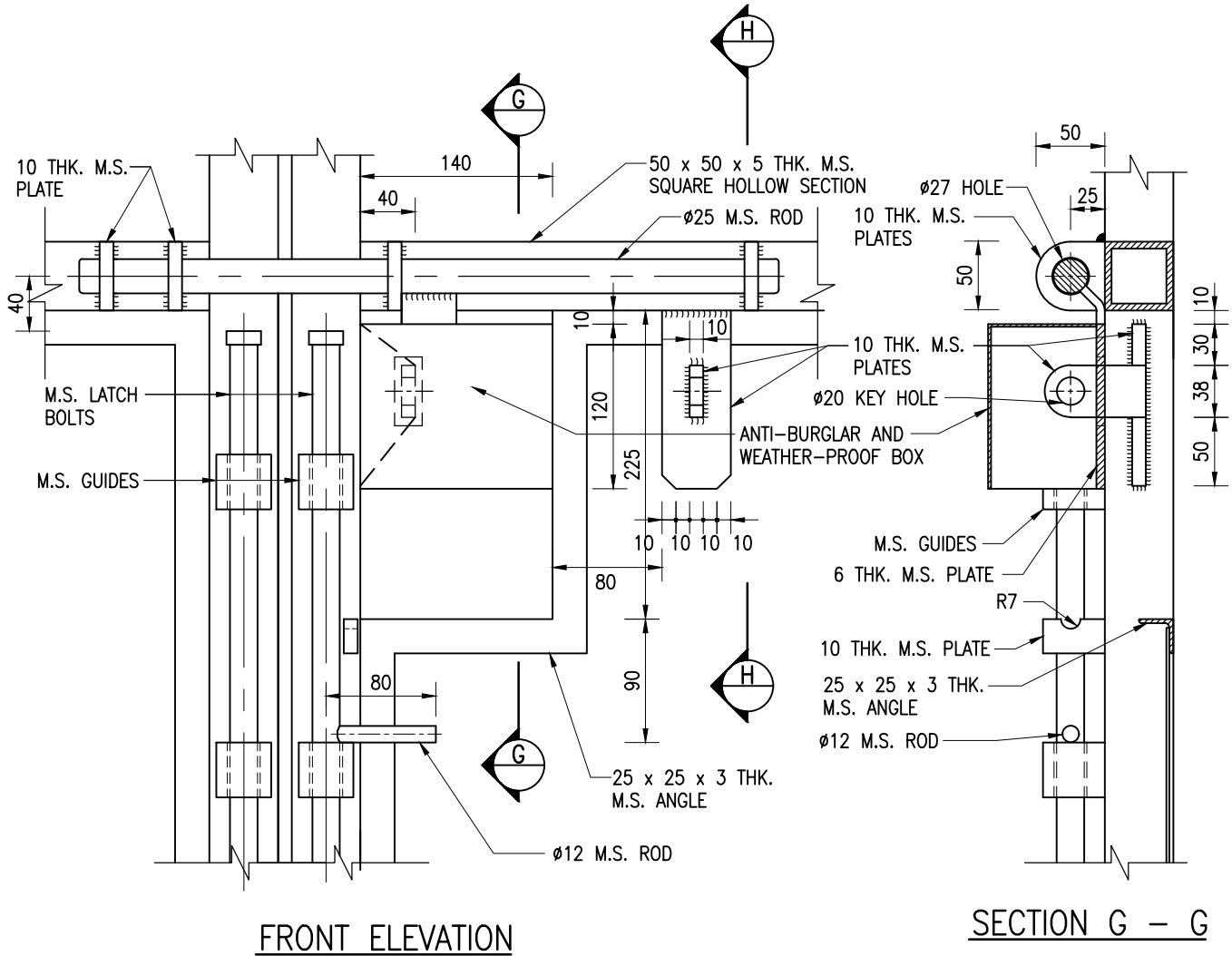


Cod Ref. : WSD061405.dwg

MAIN GATE FOR HIGH STRENGTH SECURITY FENCE (3 METRE HIGH)

 水務署 Water Supplies Department		DRAWING NO.	CSWP WSD 6.14 (SHEET 5 OF 8)
		APPROVED	
DATE	13/8/19	SCALE	1 : 10 OR AS SHOWN

Cod Ref. : WSD061406.dwg

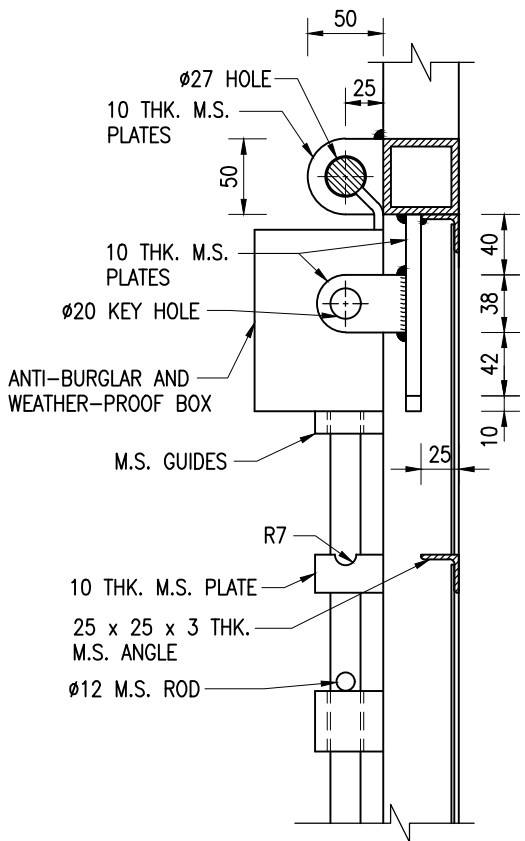


MAIN GATE FOR HIGH STRENGTH SECURITY FENCE (3 METRE HIGH)

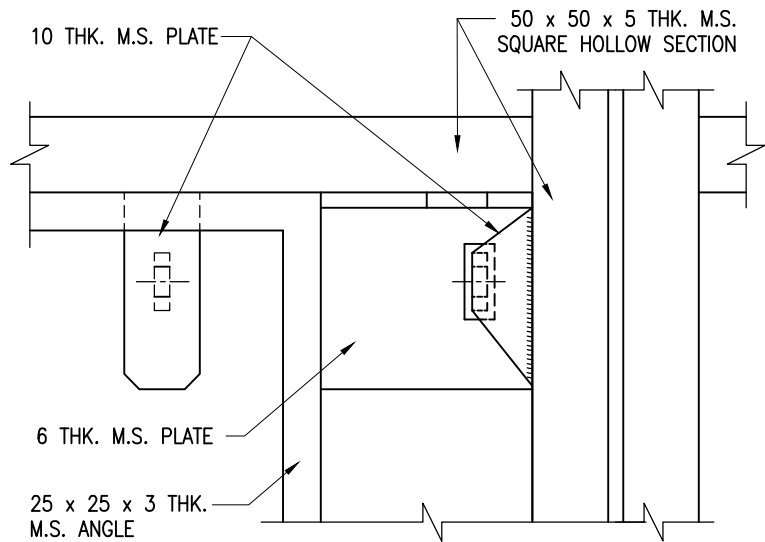


水務署
 Water Supplies Department

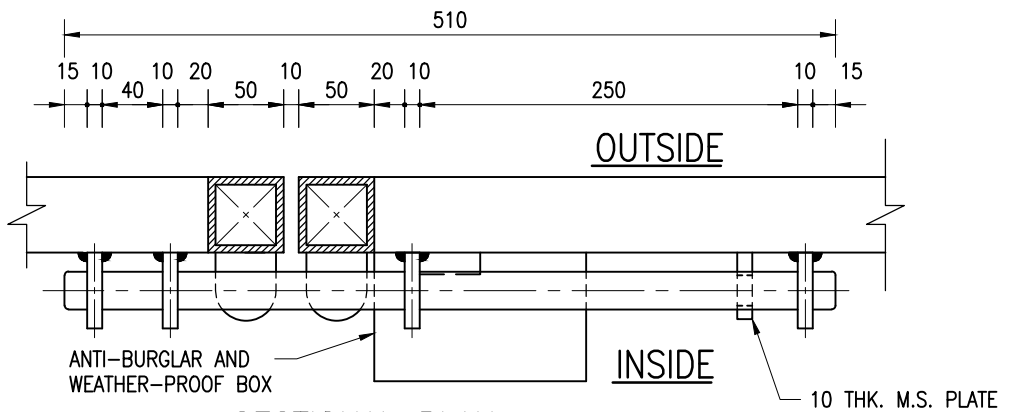
APPROVED	O.L. PANG AD/NW	DRAWING NO. WSD 6.14 (SHEET 6 OF 8)	CSWP
DATE	13/8/19		
SCALE	1 : 5		



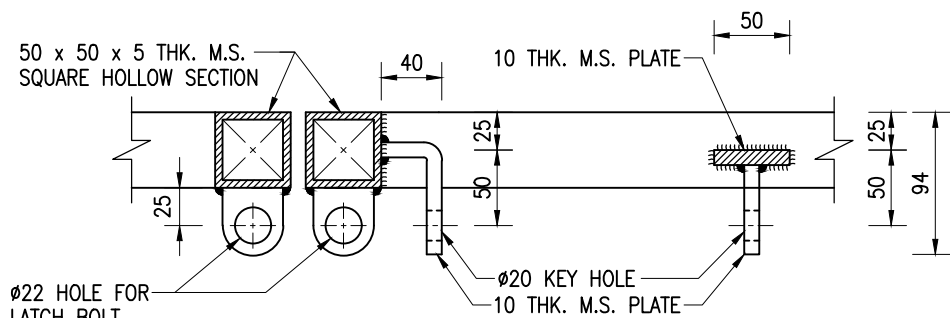
SECTION H - H



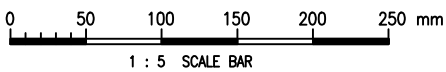
REAR ELEVATION



SECTIONAL PLAN
M.S. LOCKING BOLT



DETAILS OF KEY HOLE



Cad Ref. : WSD061407.dwg

MAIN GATE FOR HIGH STRENGTH
SECURITY FENCE (3 METRE HIGH)



水務署
Water Supplies Department

APPROVED

O.L. PANG
AD/NW

DATE

13/8/19

SCALE

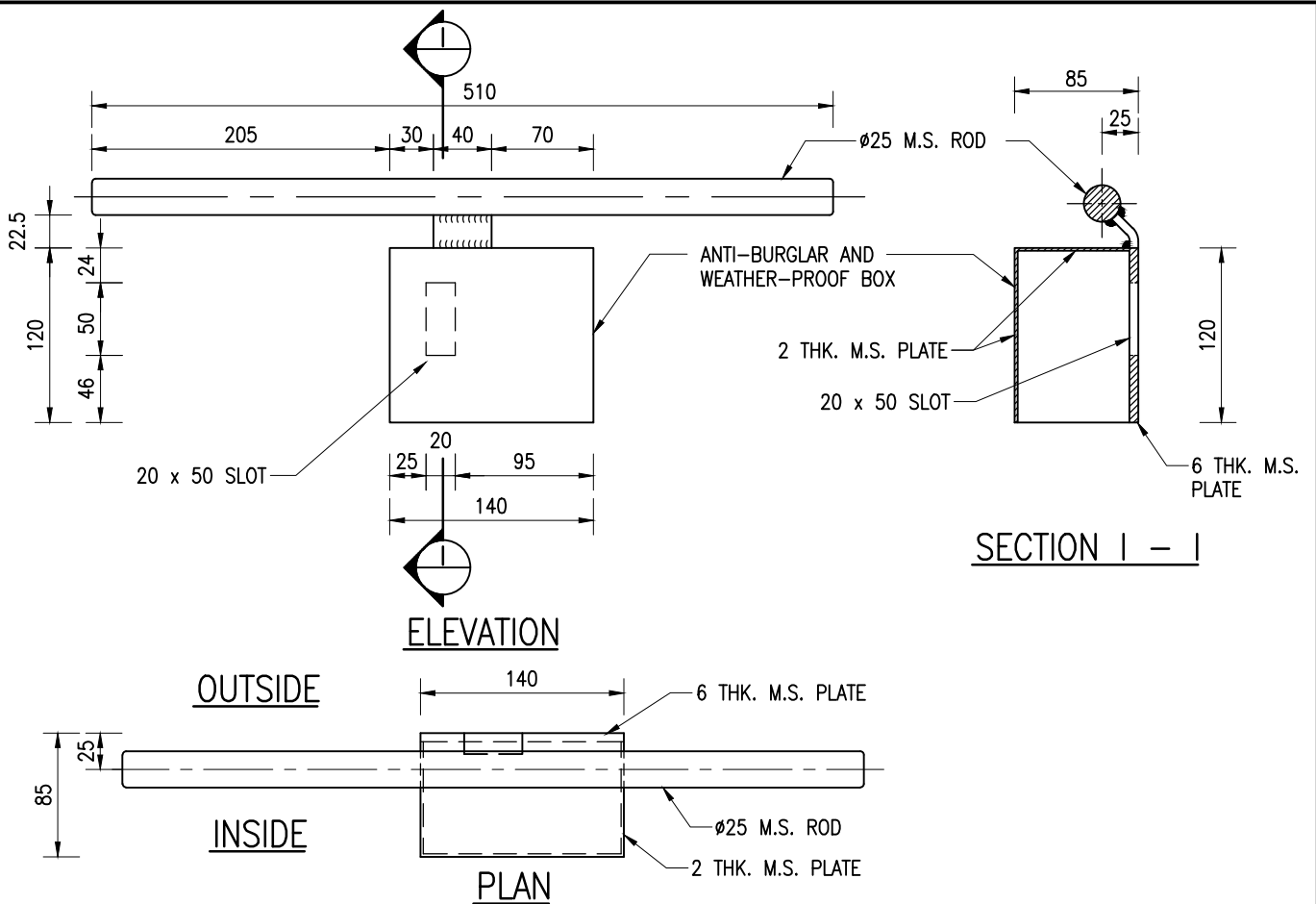
1 : 5

DRAWING NO.

WSD 6.14

(SHEET 7 OF 8)

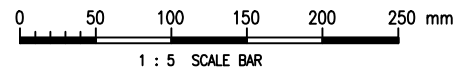
CSWP



ANTI-BURGLAR AND WEATHER-PROOF BOX FOR PAD-LOCK

NOTES :

1. ALL DIMENSIONS ARE IN MILLIMETRES.
2. ALL WELDS SHALL BE 6mm FILLET WELD.
3. ALL STEEL MATERIALS SHALL BE HOT-DIP GALVANIZED TO BS EN ISO 1461:2009.
4. EXPANDED METAL MESH SHALL BE MANUFACTURED TO BS 405:1987 AND SHALL HAVE THE FOLLOWING SPECIFICATIONS
 - (a) MESH SIZE : LONG WAY 76.2mm
SHORT WAY 34.0mm
 - (b) STRAND SIZE : THICKNESS 2.3mm
WIDTH 3.0mm
 - (c) WEIGHT : 3.19 kg/m²
5. ONE NUMBER EARTHING ELECTRODE AS SHOWN ON DRAWING NO. WSD 6.7 SHALL BE INSTALLED FOR EVERY 40m OF SECURITY FENCE. THE EXACT LOCATIONS SHALL BE DETERMINED BY THE ENGINEER. THE ELECTRODE SHALL BE CONNECTED TO THE SECURITY FENCE BY A 25 x 6 THICK MILD STEEL CONNECTING BAR LAID AT A DEPTH NOT EXCEEDING 500mm. THE DISTANCE BETWEEN THE SECURITY FENCE AND THE ELECTRODE SHALL NOT EXCEED 5m.
6. THE MAIN GATE SHALL BE LOCKED BY USING A STAINLESS STEEL CLOSED SHACKLE PADLOCK.
7. CONCERTINA CROSS RAZOR WIRE SHALL COMPLY WITH THE FOLLOWING SPECIFICATIONS
 - (a) COIL DIAMETER : 500mm
 - (b) WIRE TYPE : BTO 22
 - (c) WIRE DIAMETER : 2.5mm
 - (d) BARB THICKNESS : 0.5mm
 - (e) BARB SPACING : 34mm
8. THE CONCERTINA CROSS RAZOR WIRE SHALL BE FIXED TO THE M.S. BARBED WIRE AND THE 50 x 50 x 5 THICK M.S. SQUARE HOLLOW SECTION AT THE TOP OF THE GATE IN ACCORDANCE WITH THE MANUFACTURER'S RECOMMENDATIONS.
9. FOR DETAILS OF "NO-ENTRY" SIGNBOARD FOR WATERWORKS INSTALLATIONS, REFER TO DRAWING NO. WSD 7.58.
10. ALL STEELWORK SHALL BE GRADE S275J0 TO BS EN 10025 PART 2.
11. ANY CULVERTS PASSING UNDER SECURITY FENCES AND GATES SHALL BE PROTECTED AGAINST INTRUDERS.



Cod Ref. : WSD061408.dwg

MAIN GATE FOR HIGH STRENGTH
SECURITY FENCE (3 METRE HIGH)



水務署
Water Supplies Department

APPROVED

O.L. PANG
AD/NW

DATE

13/8/19

SCALE

1 : 5

DRAWING NO.

WSD 6.14

(SHEET 8 OF 8)

CSWP