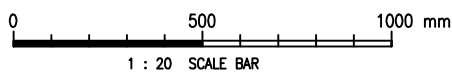


Cad Ref. : WSD061201 - C.dwg



C	DETAILS OF LATTICE POST AND EXPANDED METAL MESH REVISED	Y.B. LO	13/8/19
B	NOTE 3 UPDATED	W.K. CHIU	18/7/08
A	M.S. BAR ADDED FOR EARTHING	W.K. CHIU	21/12/05
REF.	REVISION	APPROVED	DATE

SIDE GATE FOR HIGH STRENGTH SECURITY FENCE



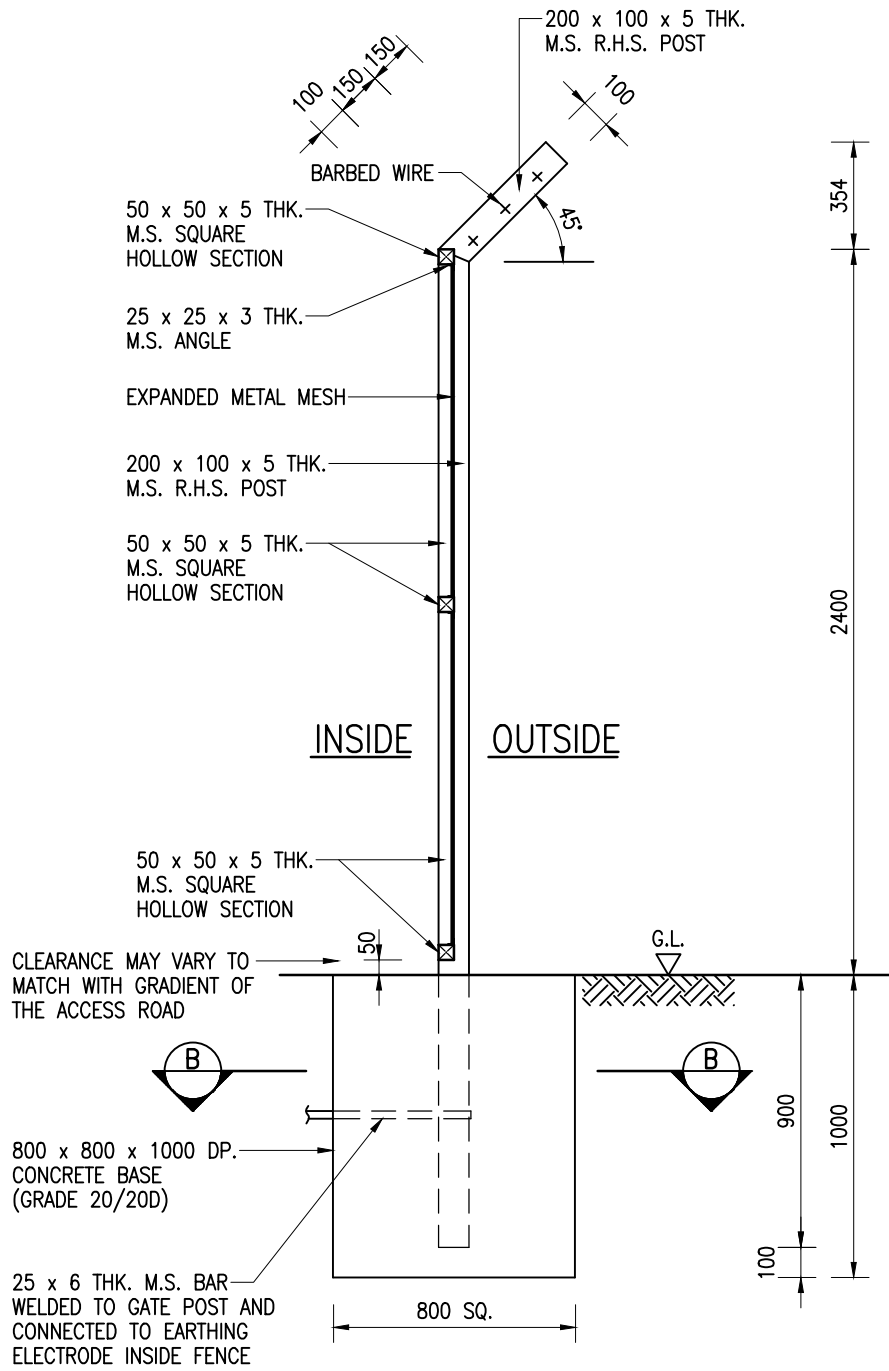
水務署
Water Supplies Department

APPROVED M.C. LEUNG
AD/NW

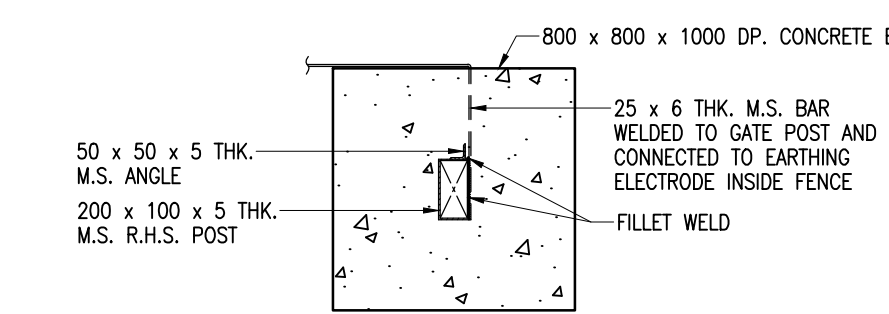
DATE 24/10/03

SCALE 1 : 20

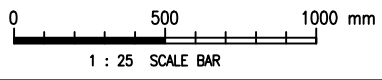
DRAWING NO. CSWP
WSD 6.12C
(SHEET 1 OF 6)



SECTION A - A

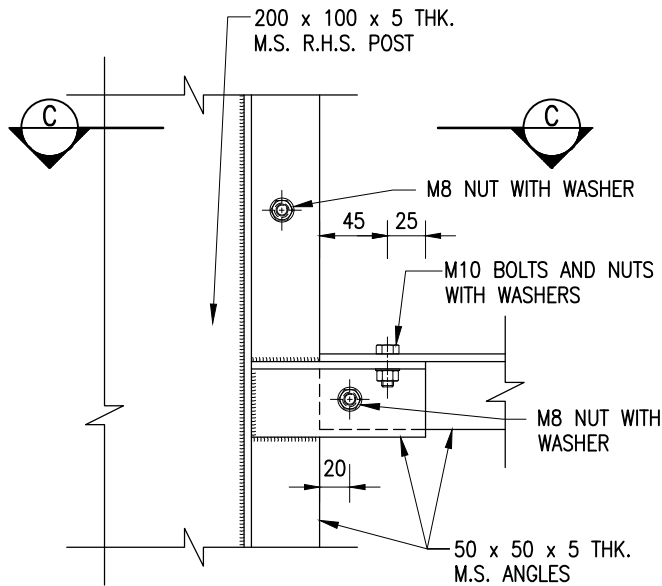


SECTION B - B

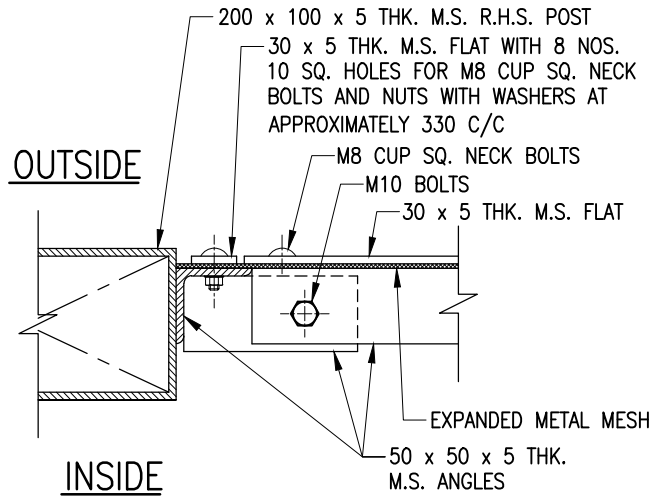


Cad Ref. : WSD061202-C.dwg

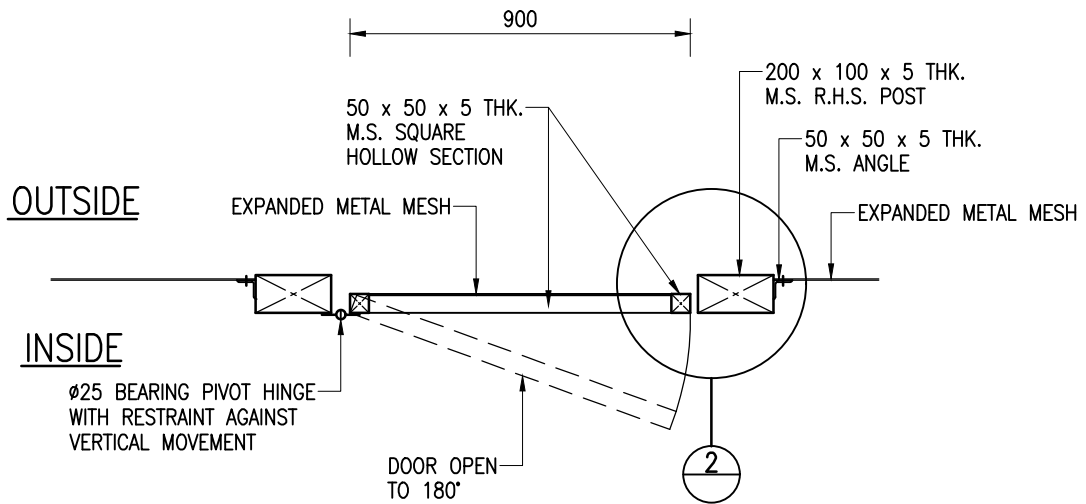
<p>SIDE GATE FOR HIGH STRENGTH SECURITY FENCE</p>	<p>水務署 Water Supplies Department</p>		<p>DRAWING NO. CSWP</p>
	APPROVED	M.C. LEUNG AD/NW	<p>WSD 6.12C (SHEET 2 OF 6)</p>
	DATE	24/10/03	
	SCALE	1 : 25	



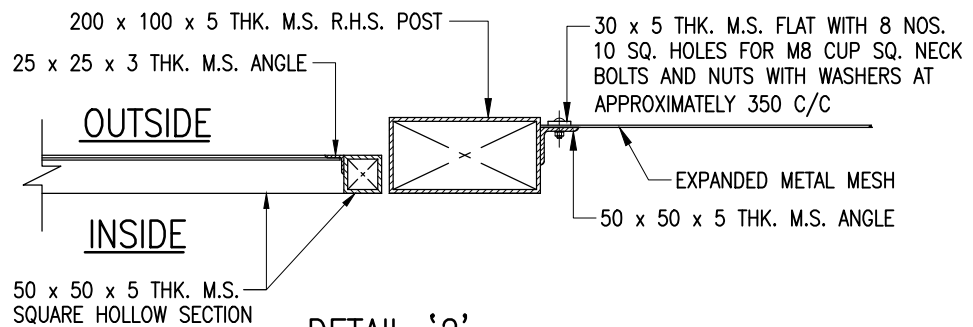
DETAIL '1'
(VIEW FROM INSIDE)
SCALE 1 : 5



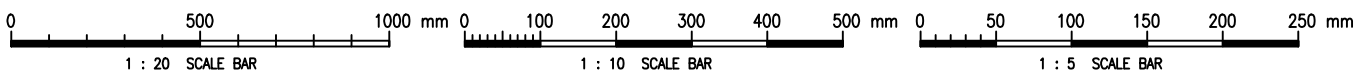
SECTION C - C
SCALE 1 : 5



SECTIONAL PLAN



DETAIL '2'
SCALE 1 : 10



Cad Ref. : WSD061203-C.dwg

SIDE GATE FOR HIGH STRENGTH SECURITY FENCE



水務署
Water Supplies Department

APPROVED

M.C. LEUNG
AD/NW

DRAWING NO.

CSWP

DATE

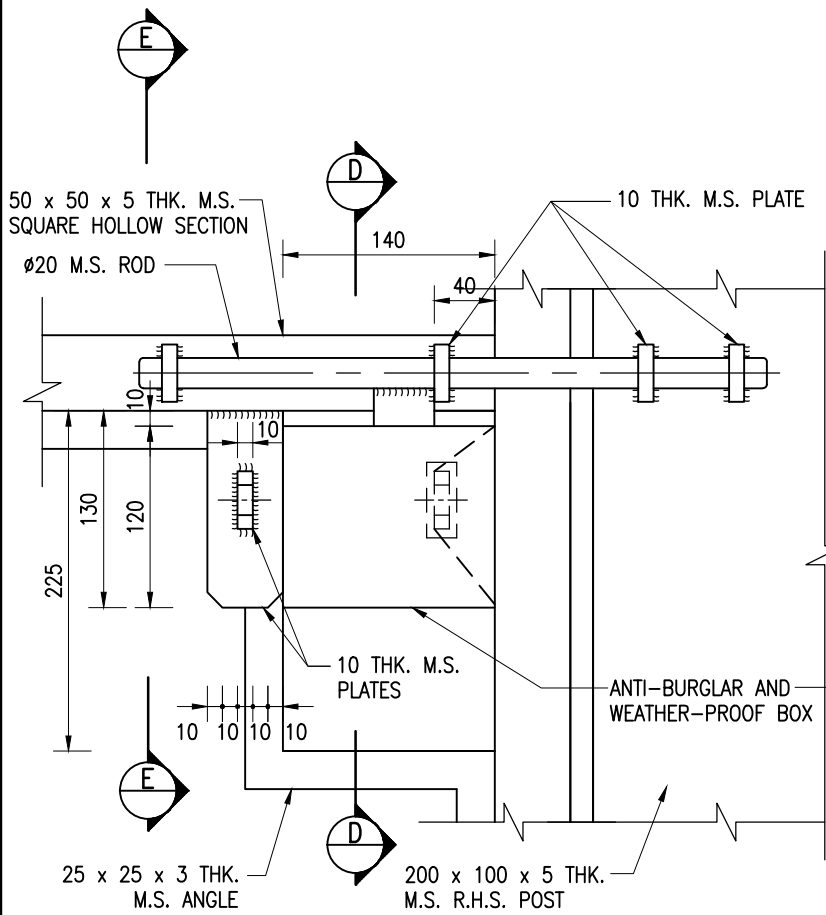
24/10/03

WSD 6.12C

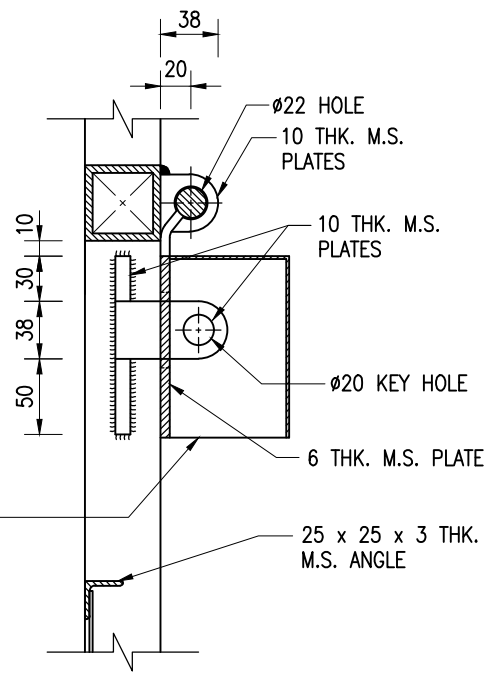
SCALE

1 : 20 OR AS SHOWN

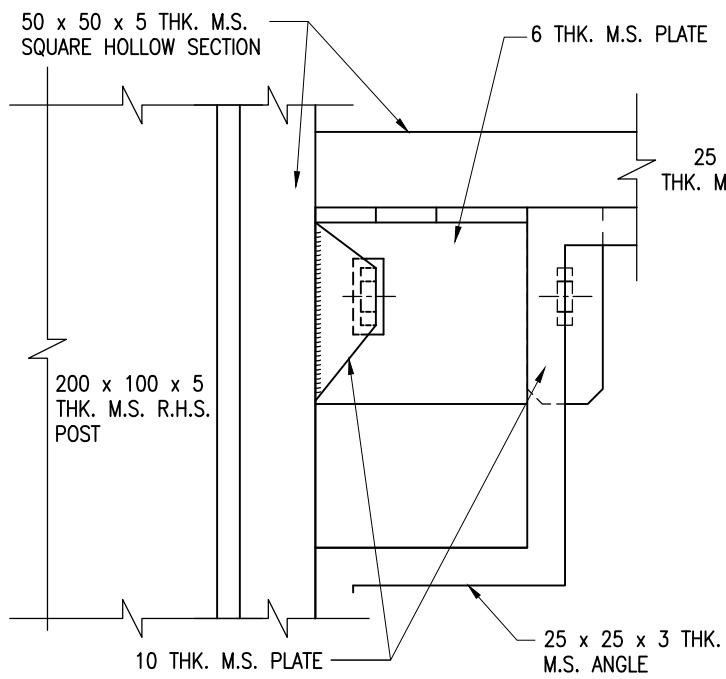
(SHEET 3 OF 6)



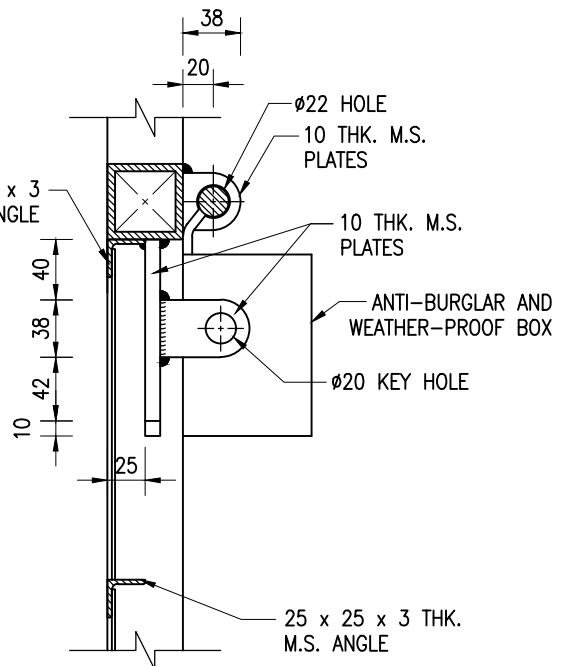
FRONT ELEVATION



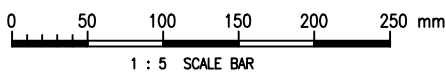
SECTION D - D



REAR ELEVATION



SECTION E - E



Cad Ref. : WSD061204-C.dwg

SIDE GATE FOR HIGH STRENGTH SECURITY FENCE



水務署
Water Supplies Department

APPROVED

M.C. LEUNG
AD/NW

DATE

24/10/03

SCALE

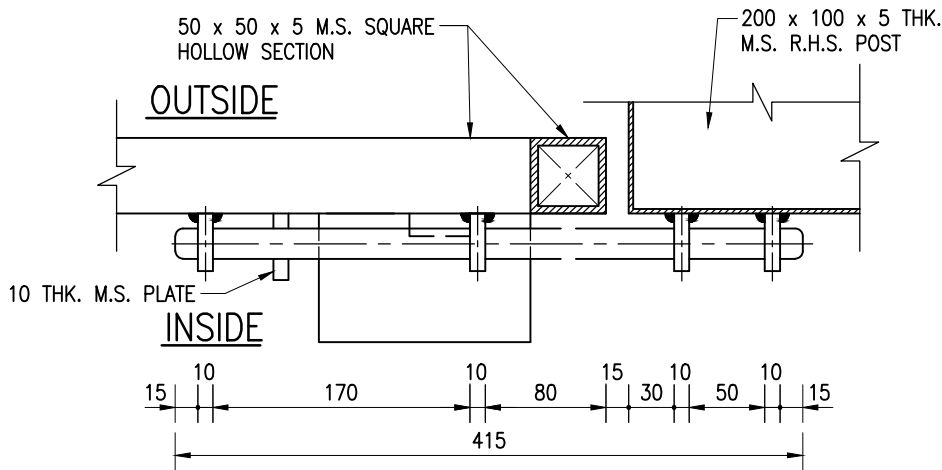
1 : 5

DRAWING NO.

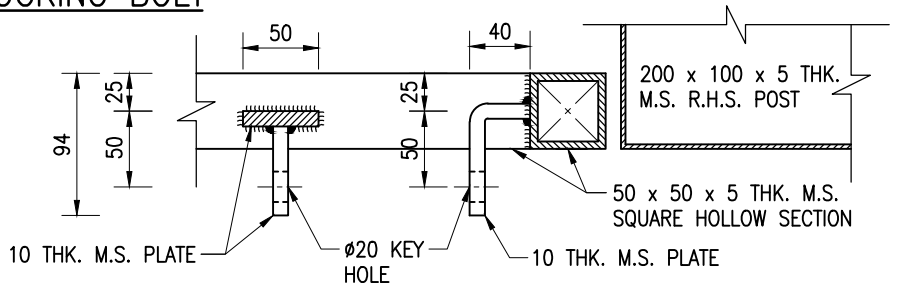
WSD 6.12C

(SHEET 4 OF 6)

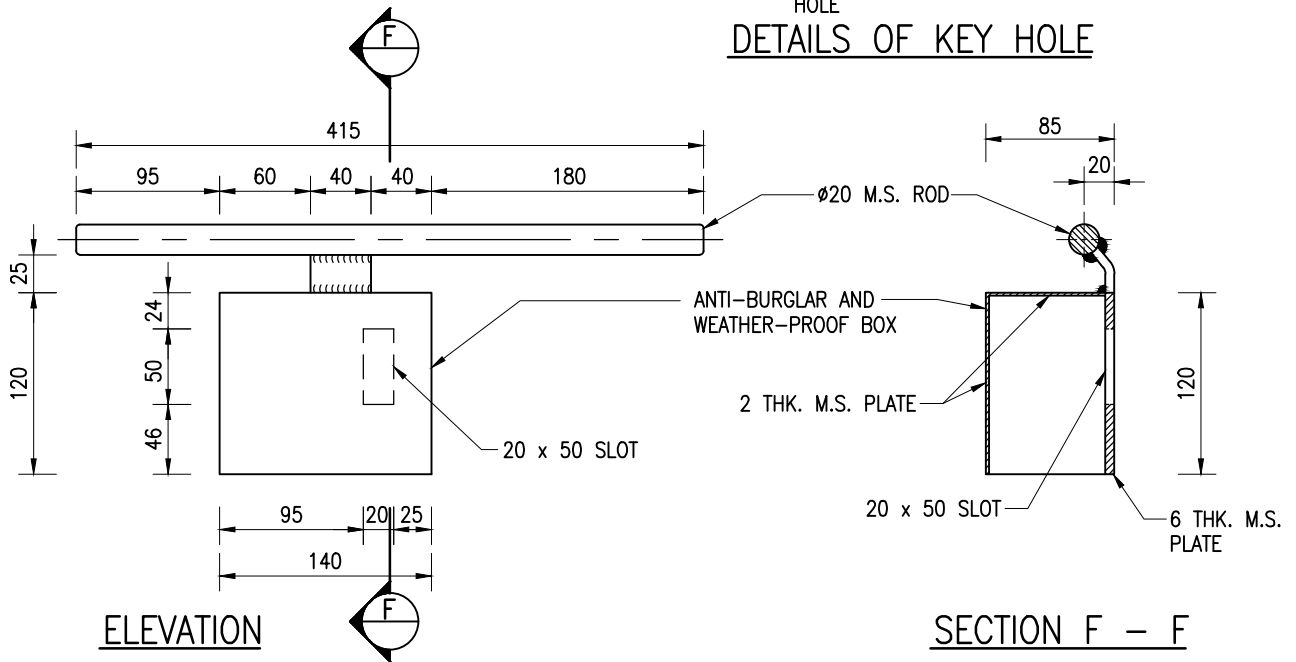
CSWP



**SECTIONAL PLAN
M.S. LOCKING BOLT**

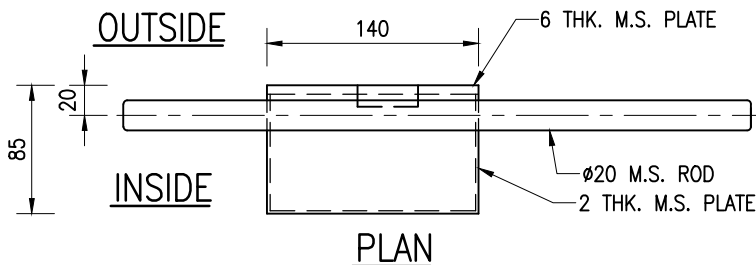


DETAILS OF KEY HOLE



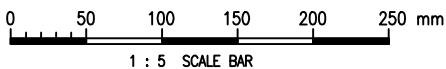
ELEVATION

SECTION F - F



PLAN

ANTI-BURGLAR AND WEATHER-PROOF BOX FOR PAD-LOCK



Cad Ref. : WSD061205-C.dwg

SIDE GATE FOR HIGH STRENGTH SECURITY FENCE




水務署
Water Supplies Department

APPROVED	M.C. LEUNG AD/NW	DRAWING NO.	CSWP
DATE	24/10/03	WSD 6.12C (SHEET 5 OF 6)	
SCALE	1 : 5		

NOTES :

1. ALL DIMENSIONS ARE IN MILLIMETRES.
2. ALL WELDS SHALL BE 6mm FILLET WELD.
3. ALL STEEL MATERIALS SHALL BE HOT-DIP GALVANIZED TO BS EN ISO 1461:2009.
4. EXPANDED METAL MESH SHALL BE MANUFACTURED TO BS 405:1987 AND SHALL HAVE THE FOLLOWING SPECIFICATIONS
 - (a) MESH SIZE : LONG WAY 76.2mm
 SHORT WAY 34.0mm
 - (b) STRAND SIZE : THICKNESS 2.3mm
 WIDTH 3.0mm
 - (c) WEIGHT : 3.19 kg/m²
5. ONE NUMBER EARTHING ELECTRODE AS SHOWN ON DRAWING NO. WSD 6.7 SHALL BE INSTALLED FOR EVERY 40m OF SECURITY FENCE. THE EXACT LOCATIONS SHALL BE DETERMINED BY THE ENGINEER. THE ELECTRODE SHALL BE CONNECTED TO THE SECURITY FENCE BY A 25 x 6 THICK MILD STEEL CONNECTING BAR LAID AT A DEPTH NOT EXCEEDING 500mm. THE DISTANCE BETWEEN THE SECURITY FENCE AND THE ELECTRODE SHALL NOT EXCEED 5m.
6. THE SIDE GATE SHALL BE LOCKED BY USING A STAINLESS STEEL CLOSED SHACKLE PADLOCK.
7. FOR DETAILS OF "NO-ENTRY" SIGNBOARD FOR WATERWORKS INSTALLATIONS, REFER TO DRAWING NO. WSD 7.58.
8. ALL STEELWORK SHALL BE GRADE S275J0 TO BS EN 10025 PART 2.
9. ANY CULVERTS PASSING UNDER SECURITY FENCES AND GATES SHALL BE PROTECTED AGAINST INTRUDERS.

Cod Ref. : WSD061206-C.dwg

SIDE GATE FOR HIGH STRENGTH SECURITY FENCE	 水務署 Water Supplies Department		DRAWING NO. CSWP WSD 6.12C (SHEET 6 OF 6)
	APPROVED	M.C. LEUNG AD/NW	
	DATE	24/10/03	
	SCALE	NOT APPLICABLE	