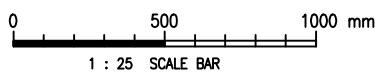


ELEVATION (FROM INSIDE)



D	DETAILS OF LATTICE POST AND EXPANDED METAL MESH REVISED	Y.B. LO	13/8/19
C	M.S. LATCH BOLT REVISED	S.K. YEUNG	31/10/12
B	NOTE 3 UPDATED	W.K. CHIU	18/7/08
A	M.S. BAR ADDED FOR EARTHING	W.K. CHIU	21/12/05
REF.	REVISION	APPROVED	DATE

MAIN GATE FOR HIGH STRENGTH SECURITY FENCE



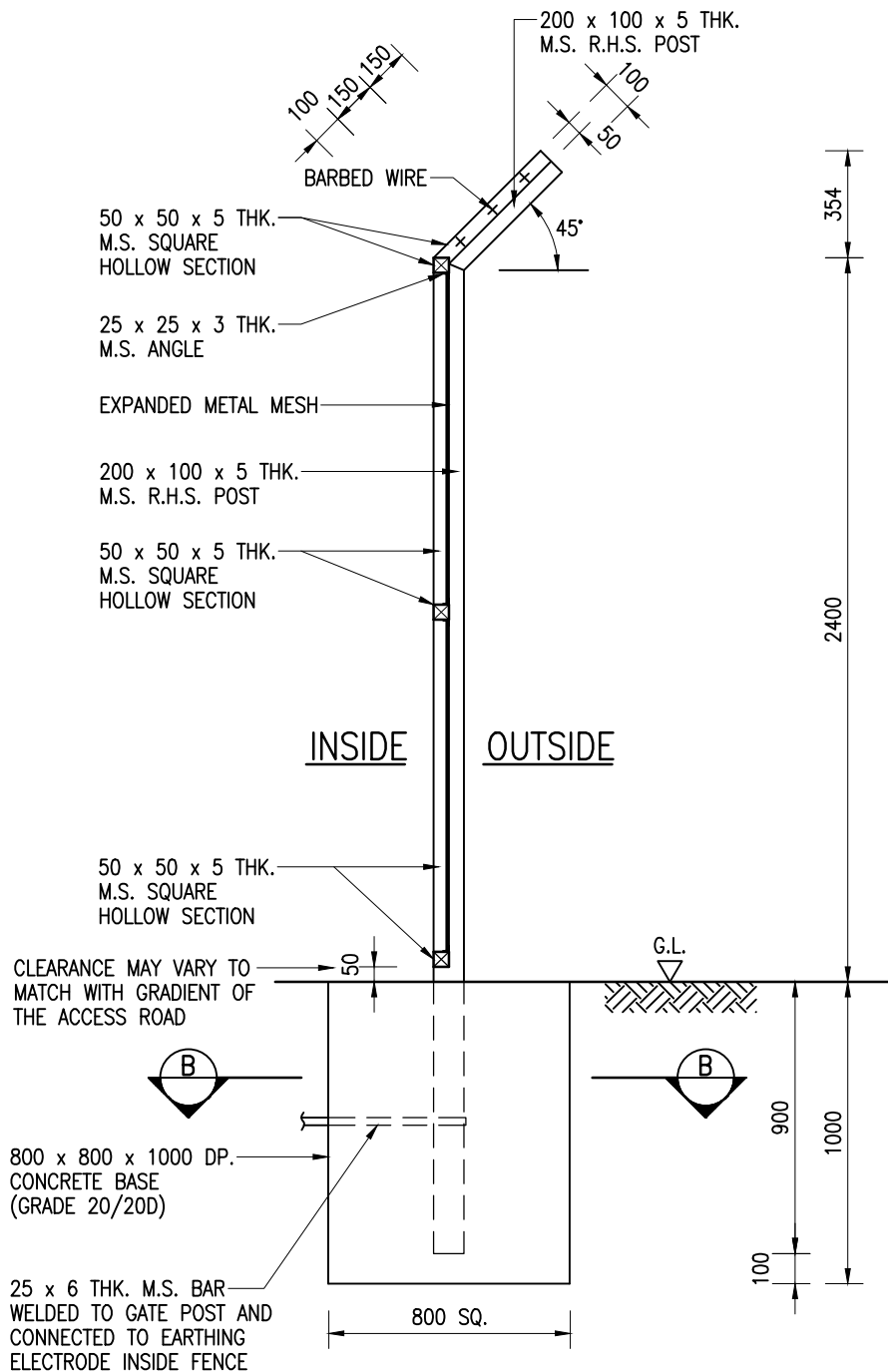
水務署
Water Supplies Department

APPROVED M.C. LEUNG
AD/NW

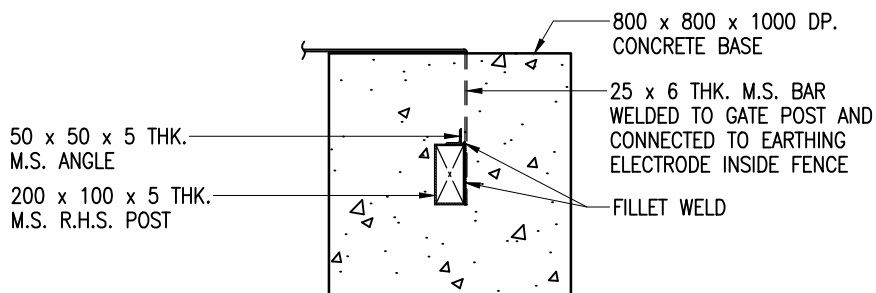
DATE 24/10/03

SCALE 1 : 25

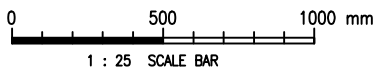
DRAWING NO. CSWP
WSD 6.11D
(SHEET 1 OF 7)



SECTION A - A



SECTION B - B



Cad Ref. : WSD061102-D.dwg

MAIN GATE FOR HIGH STRENGTH SECURITY FENCE



水務署
Water Supplies Department

APPROVED

M.C. LEUNG
AD/NW

DATE

24/10/03

SCALE

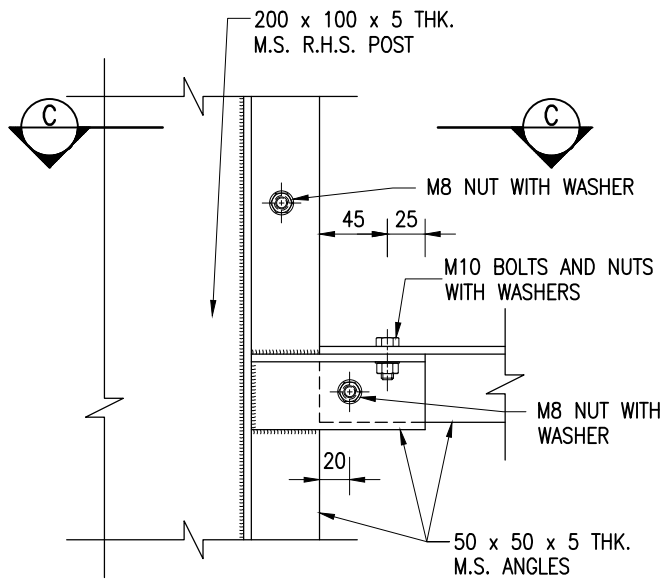
1 : 25

DRAWING NO.

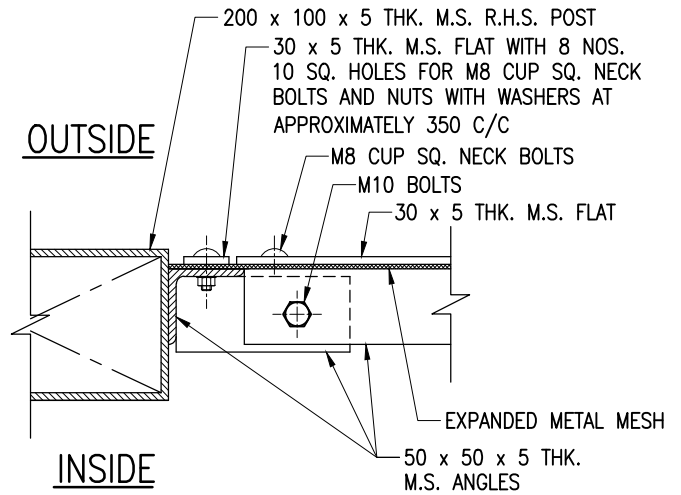
WSD 6.11D

(SHEET 2 OF 7)

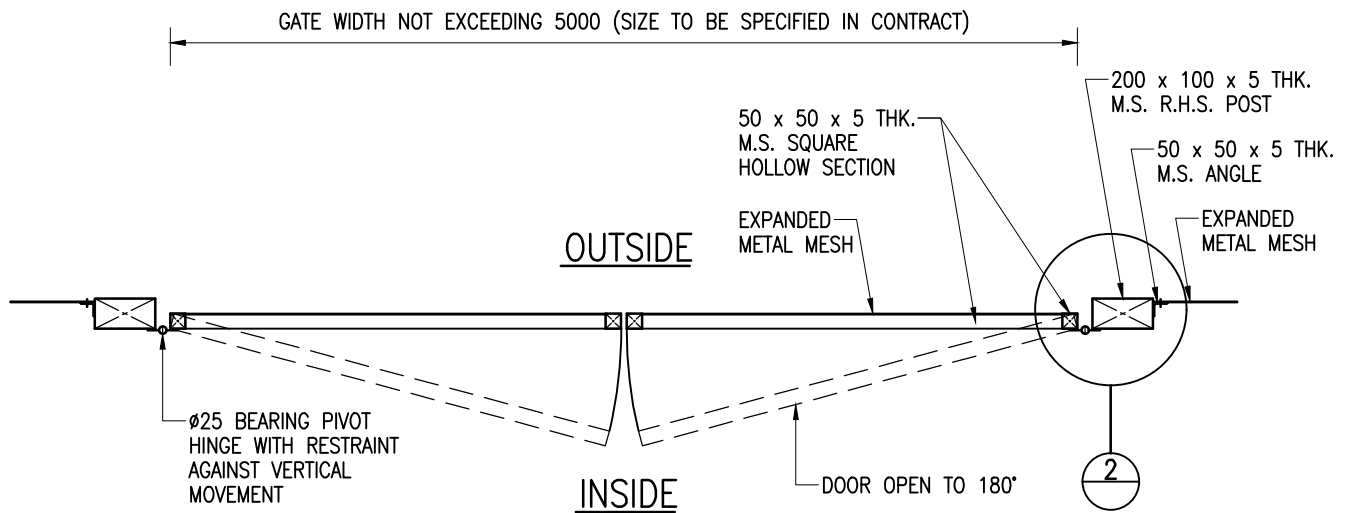
CSWP



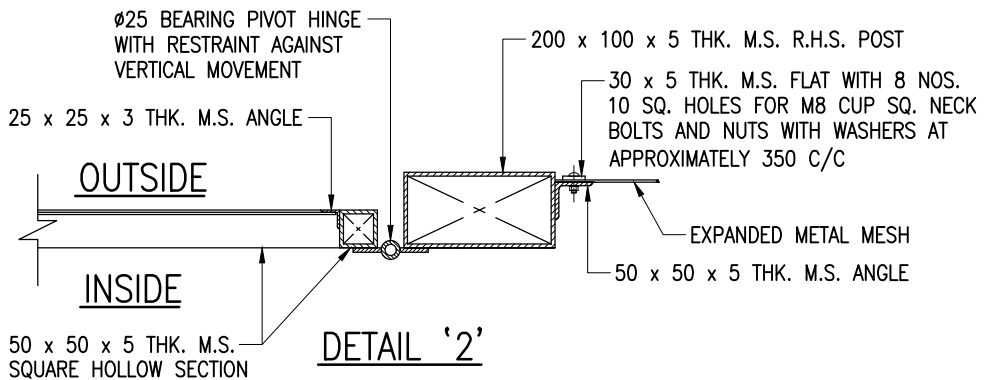
DETAIL '1'
(VIEW FROM INSIDE)
SCALE 1 : 5



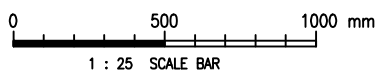
SECTION C - C
SCALE 1 : 5



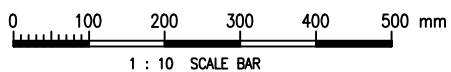
SECTIONAL PLAN



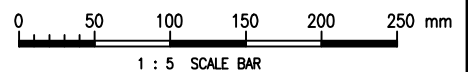
DETAIL '2'
SCALE 1 : 10



1 : 25 SCALE BAR



1 : 10 SCALE BAR



1 : 5 SCALE BAR

Cad Ref. : WSD061103-D.dwg

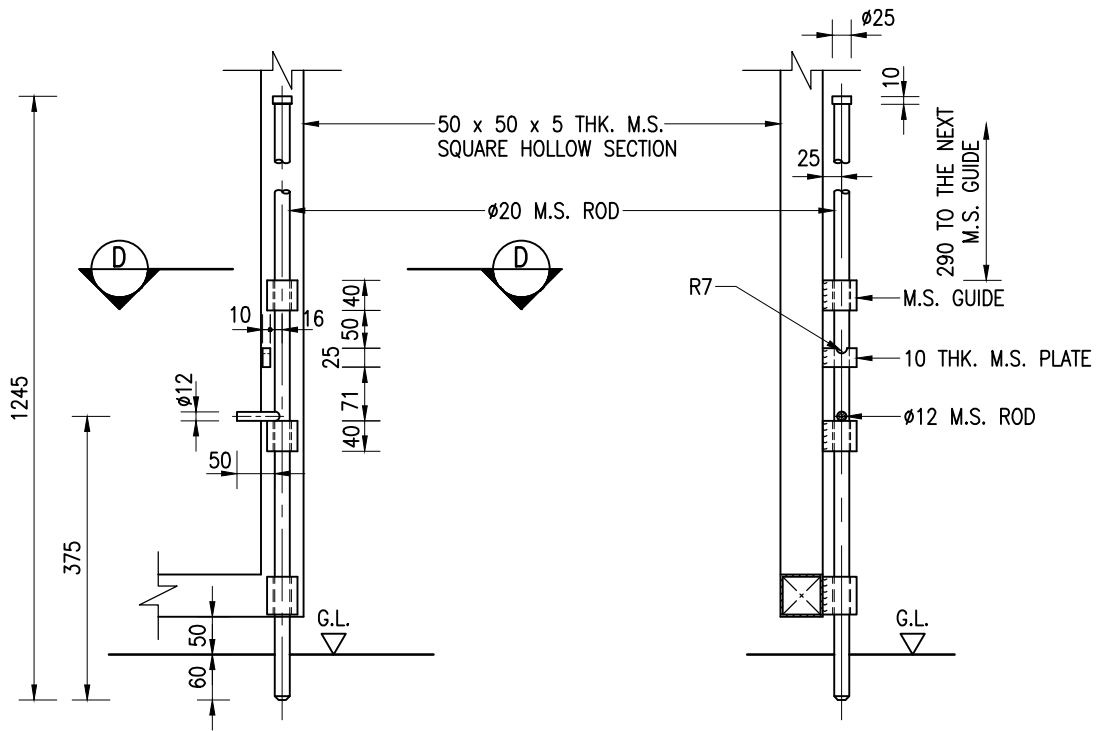
MAIN GATE FOR HIGH STRENGTH SECURITY FENCE



水務署
Water Supplies Department

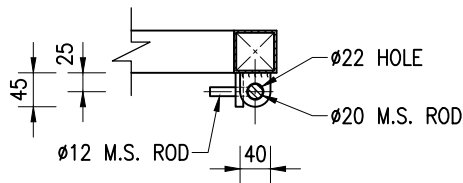
APPROVED	M.C. LEUNG AD/NW
DATE	24/10/03
SCALE	1 : 25 OR AS SHOWN

DRAWING NO.	CSWP
WSD 6.11D (SHEET 3 OF 7)	



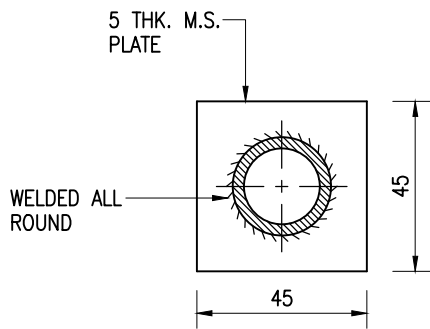
FRONT ELEVATION

SIDE ELEVATION

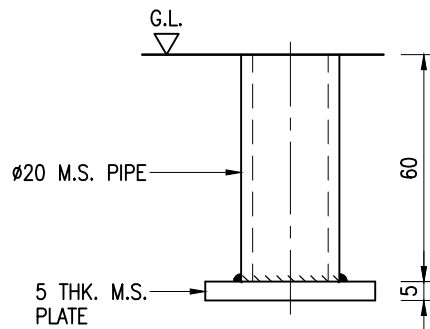


SECTION D - D

M.S. LATCH BOLT



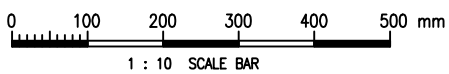
SECTIONAL PLAN



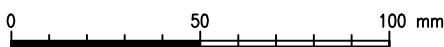
ELEVATION

M.S. LOCKING BUSH

SCALE 1 : 2



1 : 10 SCALE BAR



1 : 2 SCALE BAR

Cad Ref. : WSD061104-D.dwg

MAIN GATE FOR HIGH STRENGTH SECURITY FENCE



水務署
Water Supplies Department

APPROVED

M.C. LEUNG
AD/NW

DATE

24/10/03

SCALE

1 : 10 OR AS SHOWN

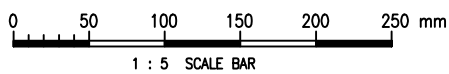
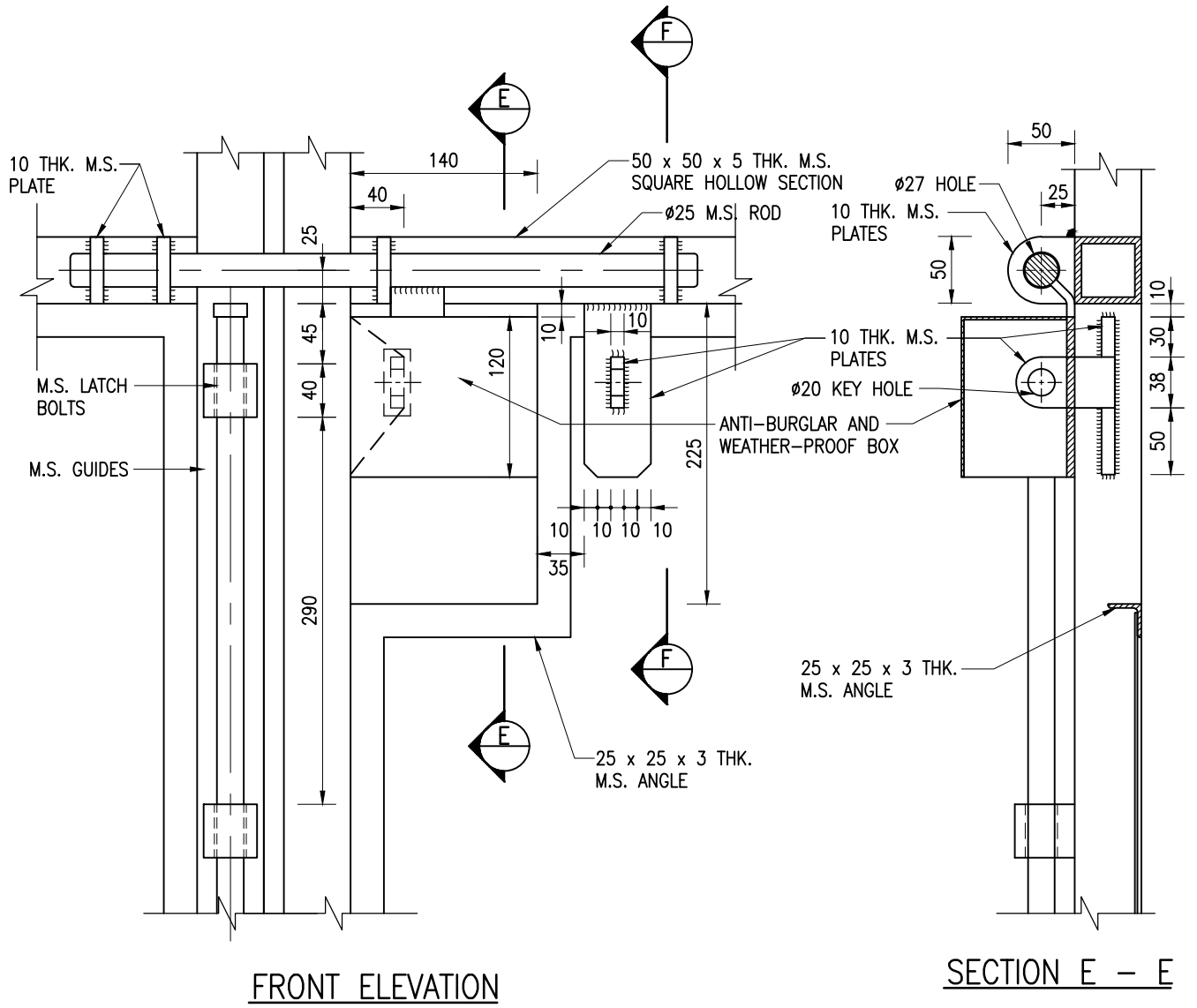
DRAWING NO.

WSD 6.11D

(SHEET 4 OF 7)

CSWP

Cad Ref. : WSD061105-D.dwg



MAIN GATE FOR HIGH STRENGTH SECURITY FENCE



水務署
Water Supplies Department

APPROVED

M.C. LEUNG
AD/NW

DRAWING NO.

CSWP

DATE

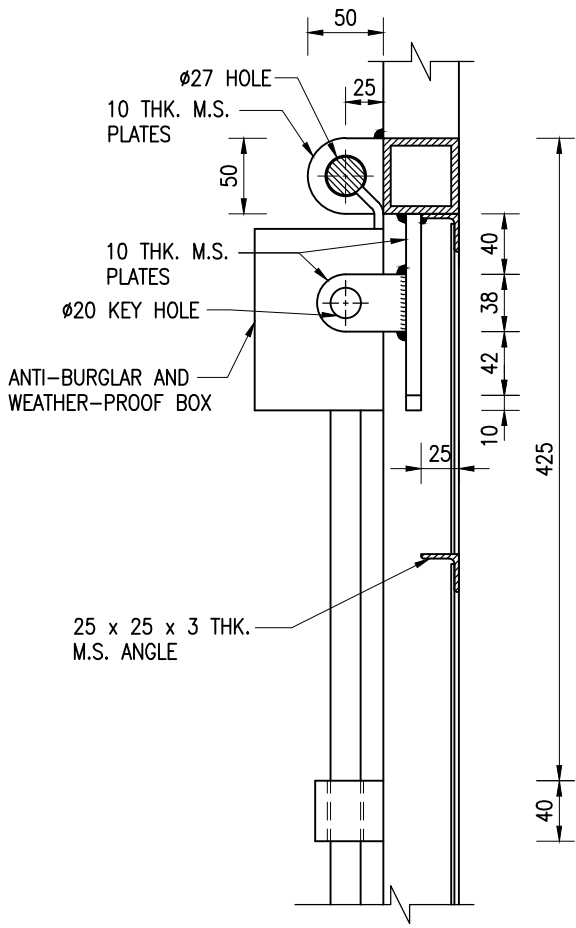
24/10/03

WSD 6.11D

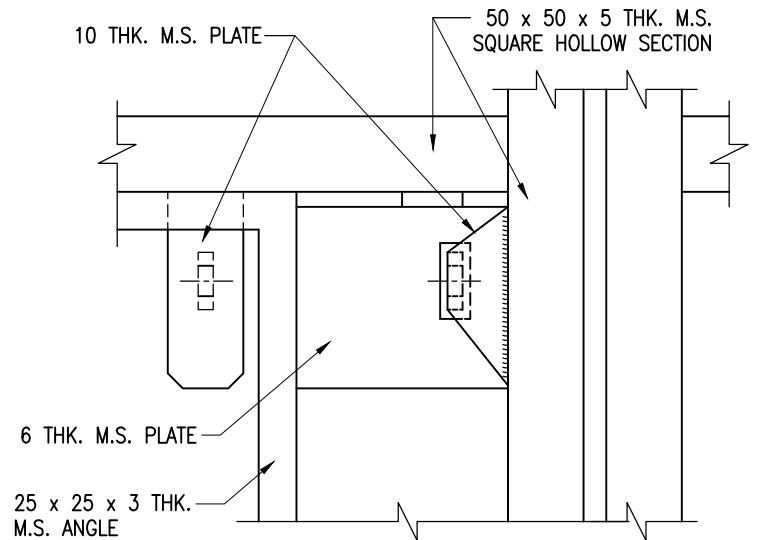
SCALE

1 : 5

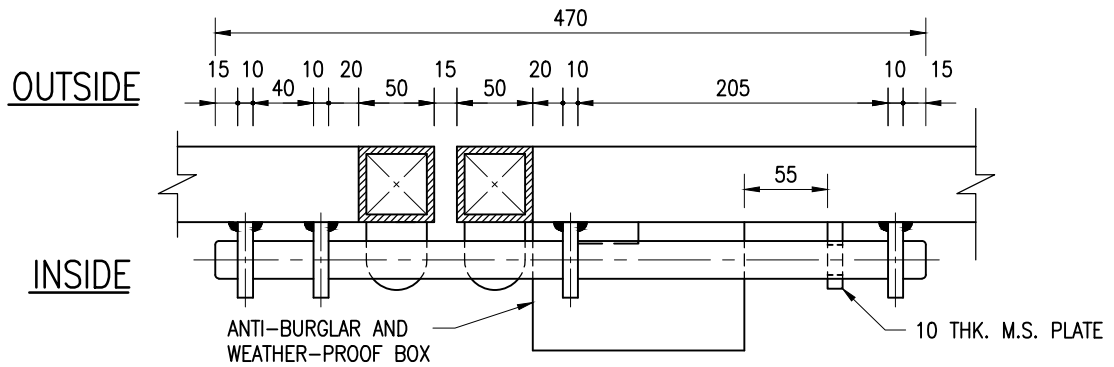
(SHEET 5 OF 7)



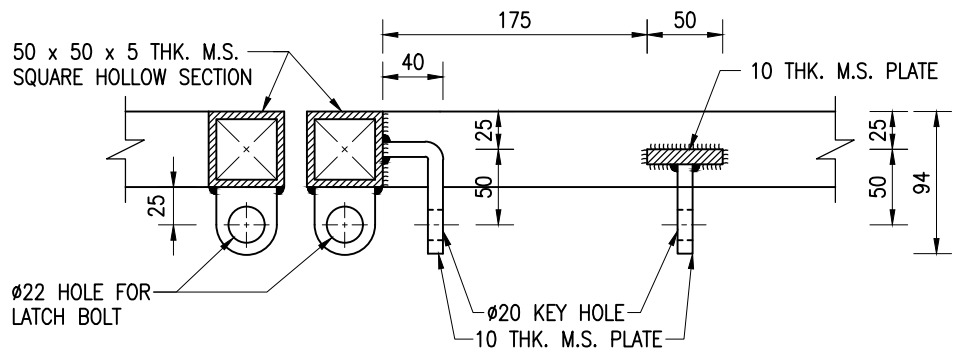
SECTION F - F



REAR ELEVATION



SECTIONAL PLAN
M.S. LOCKING BOLT



DETAILS OF KEY HOLE

Cad Ref. : WSD061106-D.dwg

MAIN GATE FOR HIGH STRENGTH SECURITY FENCE



水務署
Water Supplies Department

APPROVED

M.C. LEUNG
AD/NW

DATE

24/10/03

SCALE

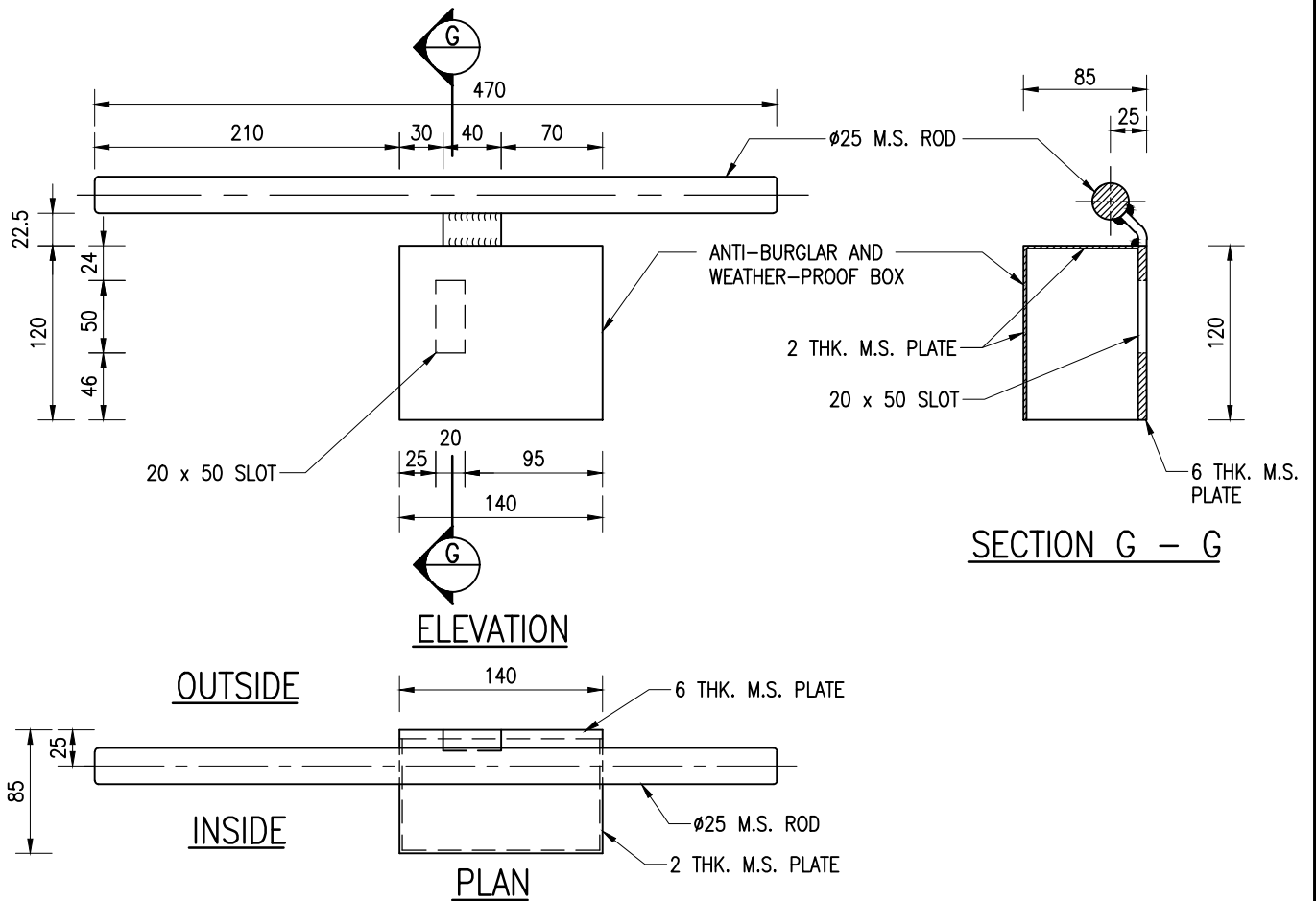
1 : 5

DRAWING NO.

WSD 6.11D

(SHEET 6 OF 7)

CSWP

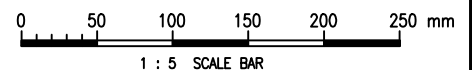


ANTI-BURGLAR AND WEATHER-PROOF BOX FOR PAD-LOCK

NOTES :

1. ALL DIMENSIONS ARE IN MILLIMETRES.
2. ALL WELDS SHALL BE 6mm FILLET WELD.
3. ALL STEEL MATERIALS SHALL BE HOT-DIP GALVANIZED TO BS EN ISO 1461:2009.
4. EXPANDED METAL MESH SHALL BE MANUFACTURED TO BS 405:1987 AND SHALL HAVE THE FOLLOWING SPECIFICATIONS

(a) MESH SIZE :	LONG WAY	76.2mm
	SHORT WAY	34.0mm
(b) STRAND SIZE :	THICKNESS	2.3mm
	WIDTH	3.0mm
(c) WEIGHT :		3.19 kg/m ²
5. ONE NUMBER EARTHING ELECTRODE AS SHOWN ON DRAWING NO. WSD 6.7 SHALL BE INSTALLED FOR EVERY 40m OF SECURITY FENCE. THE EXACT LOCATIONS SHALL BE DETERMINED BY THE ENGINEER. THE ELECTRODE SHALL BE CONNECTED TO THE SECURITY FENCE BY A 25 x 6 THICK MILD STEEL CONNECTING BAR LAID AT A DEPTH NOT EXCEEDING 500mm. THE DISTANCE BETWEEN THE SECURITY FENCE AND THE ELECTRODE SHALL NOT EXCEED 5m.
6. THE MAIN GATE SHALL BE LOCKED BY USING A STAINLESS STEEL CLOSED SHACKLE PADLOCK.
7. FOR DETAILS OF "NO-ENTRY" SIGNBOARD FOR WATERWORKS INSTALLATIONS, REFER TO DRAWING NO. WSD 7.58.
8. ALL STEELWORK SHALL BE GRADE S275J0 TO BS EN 10025 PART 2.
9. ANY CULVERTS PASSING UNDER SECURITY FENCES AND GATES SHALL BE PROTECTED AGAINST INTRUDERS.



Cad Ref. : WSD061107-D.dwg

MAIN GATE FOR HIGH STRENGTH SECURITY FENCE



水務署
Water Supplies Department

APPROVED	M.C. LEUNG AD/NW	DRAWING NO.	CSWP
DATE	24/10/03	WSD 6.11D (SHEET 7 OF 7)	
SCALE	1 : 5		