

ELEVATION

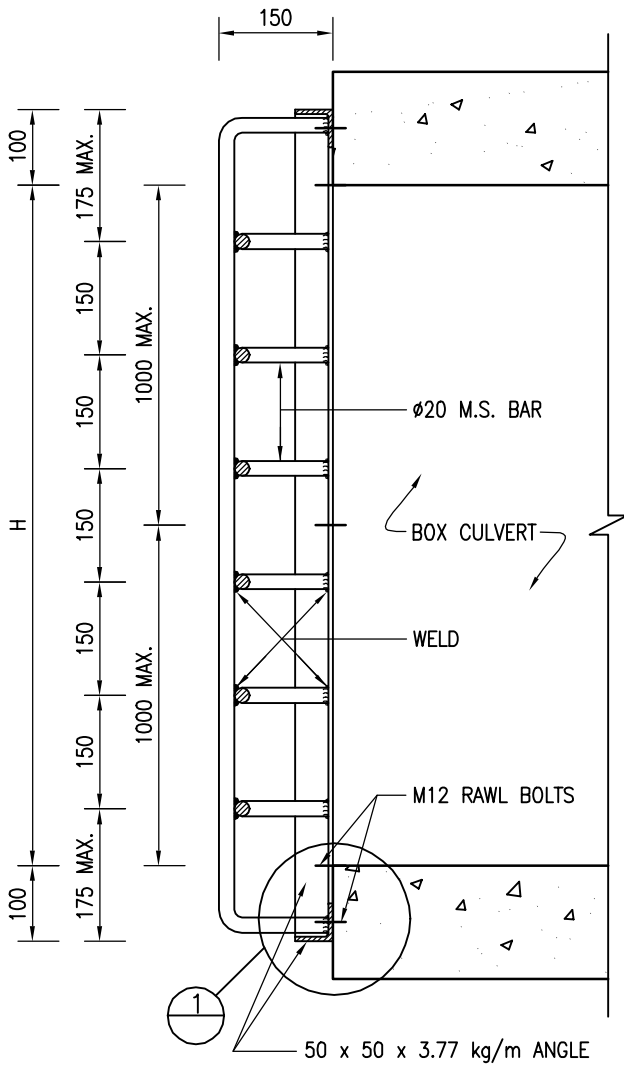
B	RE-FORMATTED TO CSWP	W.K. CHIU	14/11/03
A	GENERAL REVISION	W.K. CHIU	10/10/00
REF.	REVISION	APPROVED	DATE

ANTI-BURGLAR GRATING FOR  
CULVERT OUTFALL

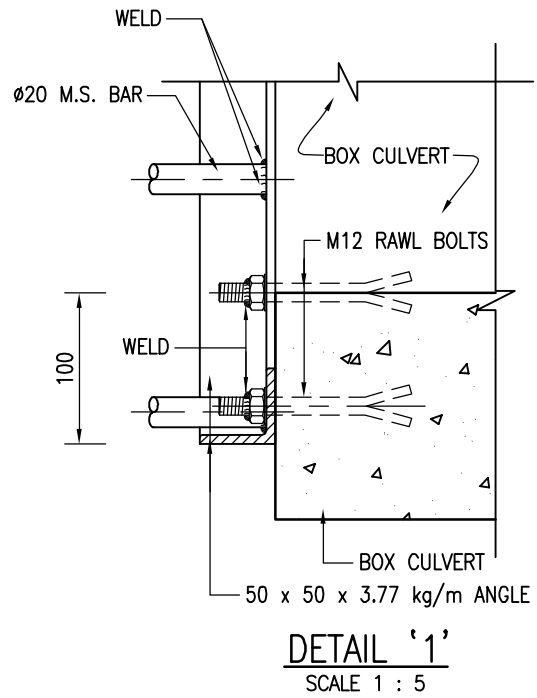


水務署  
Water Supplies Department

APPROVED	G.C. LEE AD/NW	DRAWING NO. WSD 6.9B (SHEET 1 OF 2)	CSWP
DATE	9/6/92		
SCALE	N.T.S.		



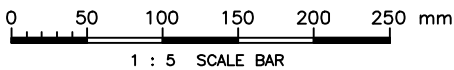
**SECTION A - A**  
SCALE 1 : 10



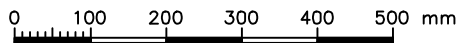
**DETAIL '1'**  
SCALE 1 : 5

NOTES :

1. ALL DIMENSIONS ARE IN MILLIMETRES.
2. THE OVERALL DIMENSIONS W AND H OF CULVERT OUTFALL SHALL BE SCHEDULED ON CONTRACT DRAWINGS.
3. ALL WELDS SHALL BE 3mm FILLET WELDS.



1 : 5 SCALE BAR



1 : 10 SCALE BAR

ANTI-BURGLAR GRATING FOR  
CULVERT OUTFALL



水務署  
Water Supplies Department

APPROVED

K.P. MOK  
AD/NW

DATE

9/6/92

SCALE

1 : 10 OR AS SHOWN

DRAWING NO.

WSD 6.9B

(SHEET 2 OF 2)

CSWP