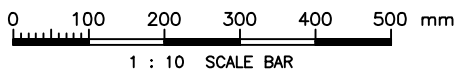


ELEVATION



Cad Ref. : WSD060801-B.dwg

B	RE-FORMATTED TO CSWP	W.K. CHIU	14/11/03
A	GENERAL REVISION	W.K. CHIU	10/10/00
REF.	REVISION	APPROVED	DATE

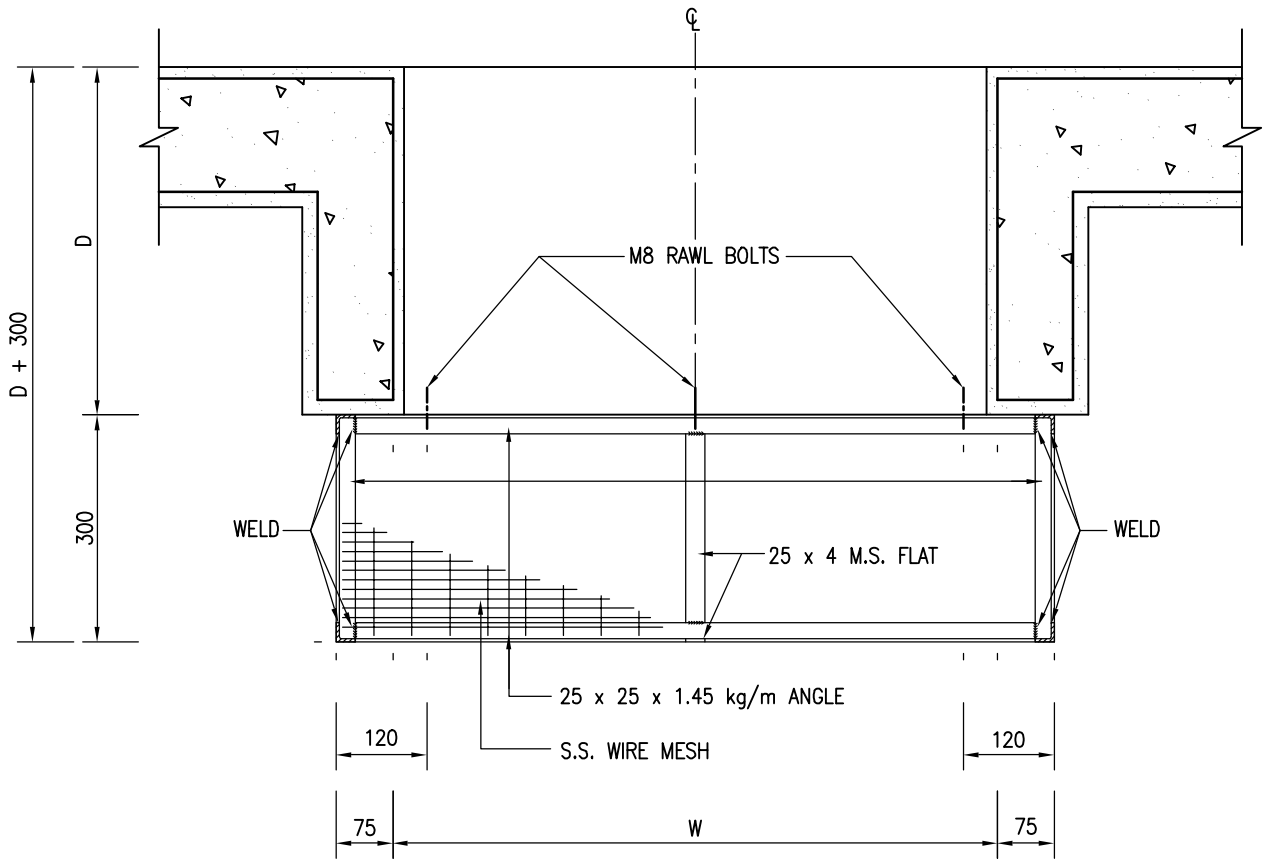
ANTI-BURGLAR GRATING FOR
AIR-CONDITIONING OPENING



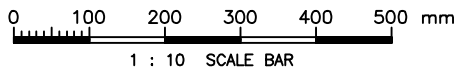
水務署
Water Supplies Department

APPROVED	G.C. LEE AD/NW	DRAWING NO.	CSWP
DATE	9/6/92	WSD 6.8B	
SCALE	1 : 10	(SHEET 1 OF 4)	

Cad Ref. : WSD060802-B.dwg



SECTION A - A

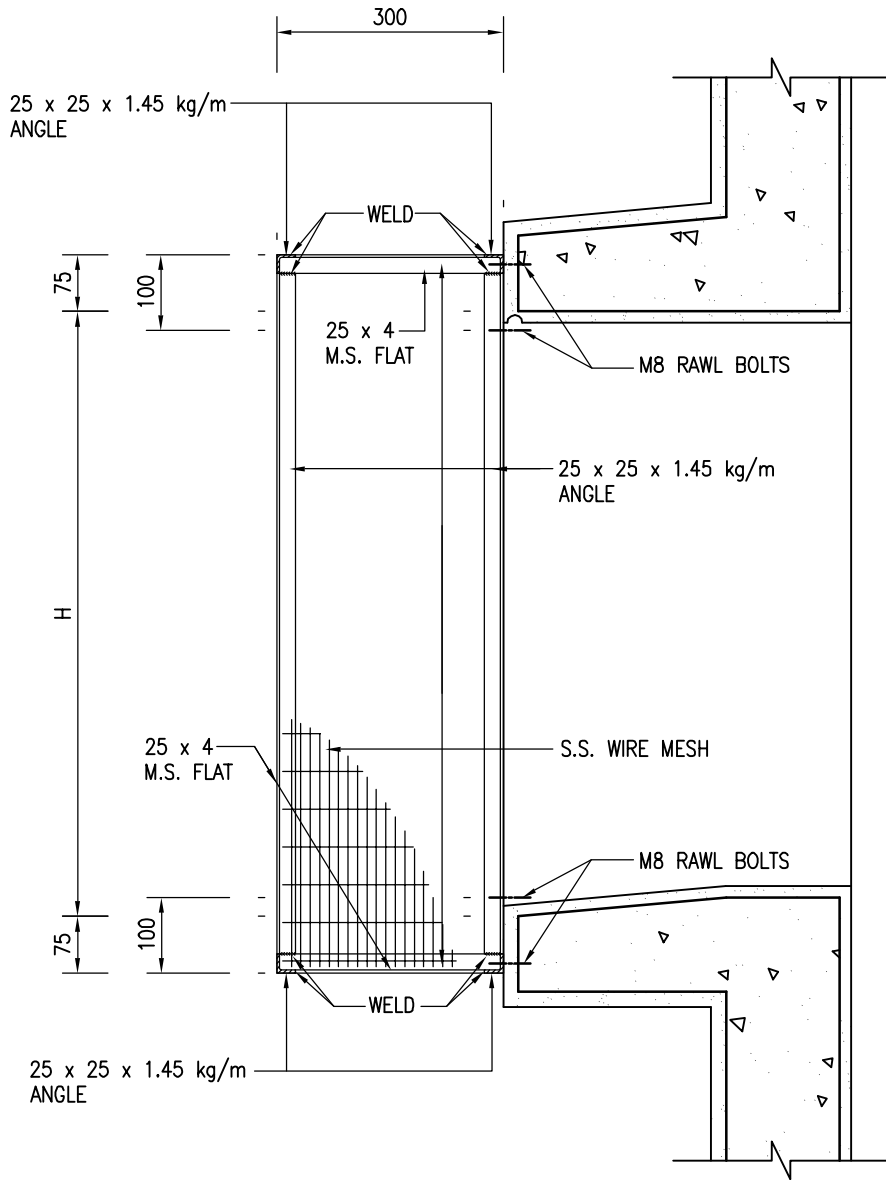


ANTI-BURGLAR GRATING FOR
AIR-CONDITIONING OPENING

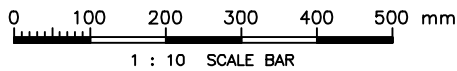


水務署
Water Supplies Department

APPROVED	G.C. LEE AD/NW	DRAWING NO. WSD 6.8B (SHEET 2 OF 4)	CSWP
DATE	9/6/92		
SCALE	1 : 10		



SECTION B - B



Cad Ref. : WSD060803-B.dwg

ANTI-BURGLAR GRATING FOR
AIR-CONDITIONING OPENING



水務署
Water Supplies Department

APPROVED

G.C. LEE
AD/NW

DATE

9/6/92

SCALE

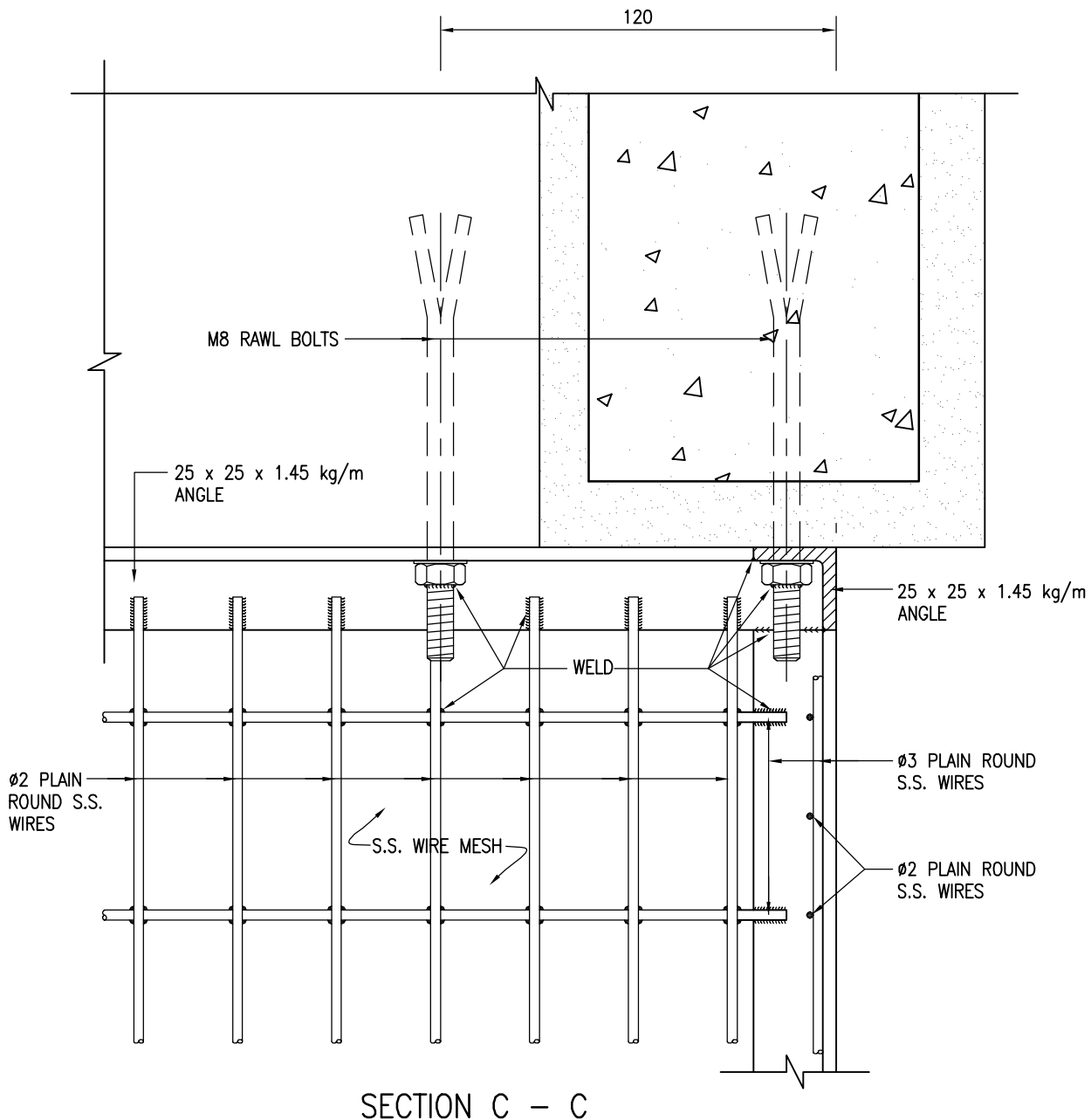
1 : 10

DRAWING NO.

WSD 6.8B

(SHEET 3 OF 4)

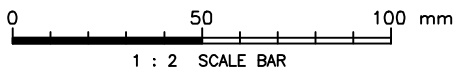
CSWP



SECTION C - C

NOTES :

1. ALL DIMENSIONS ARE IN MILLIMETRES.
2. THE STEEL WIRE MESH SHALL BE FORMED BY WELDING PLAIN ROUND S.S. WIRES AND COMPLY WITH THE FOLLOWING OR EQUIVALENT.
 - (i) MAIN WIRES - 3mm DIAMETER WITH PITCH NOT GREATER THAN 60mm.
 - (ii) CROSS WIRES - 2mm DIAMETER WITH PITCH NOT GREATER THAN 30mm.
3. THE OVERALL DIMENSION W, H AND D SHALL BE AS SHOWN ON THE CONTRACT DRAWINGS.
4. ALL WELDS SHALL BE 3mm FILLLET WELDS.



ANTI-BURGLAR GRATING FOR
AIR-CONDITIONING OPENING



水務署
Water Supplies Department

APPROVED

G.C. LEE
AD/NW

DATE

9/6/92

SCALE

1 : 2

DRAWING NO.

WSD 6.8B

(SHEET 4 OF 4)

CSWP