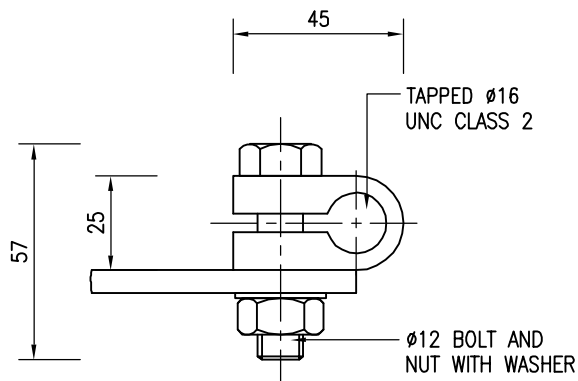
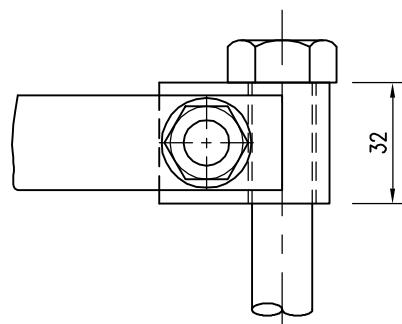


**COPPER-STEEL EARTHING ROD**  
SCALE 1 : 5



**PLAN**

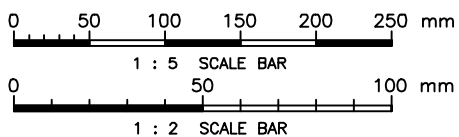


**ELEVATION**

**EARTH CONNECTION CLAMP FOR EARTHING ROD**  
SCALE 1 : 2

NOTES :

1. ALL DIMENSIONS ARE IN MILLIMETRES.
2. UNC DENOTES UNIFIED NATIONAL COARSE THREAD.



B	RE-FORMATTED TO CSWP	W.K. CHIU	14/11/03
A	GENERAL REVISION	W.K. CHIU	20/9/00
REF.	REVISION	APPROVED	DATE

Cad Ref. : WSD060701-B.dwg

EARTHING ELECTRODE



**水務署**  
**Water Supplies Department**

APPROVED	G.C. LEE AD/NW	DRAWING NO. <b>WSD 6.7B</b>	CSWP
DATE	9/6/92		
SCALE	1 : 5 OR AS SHOWN		