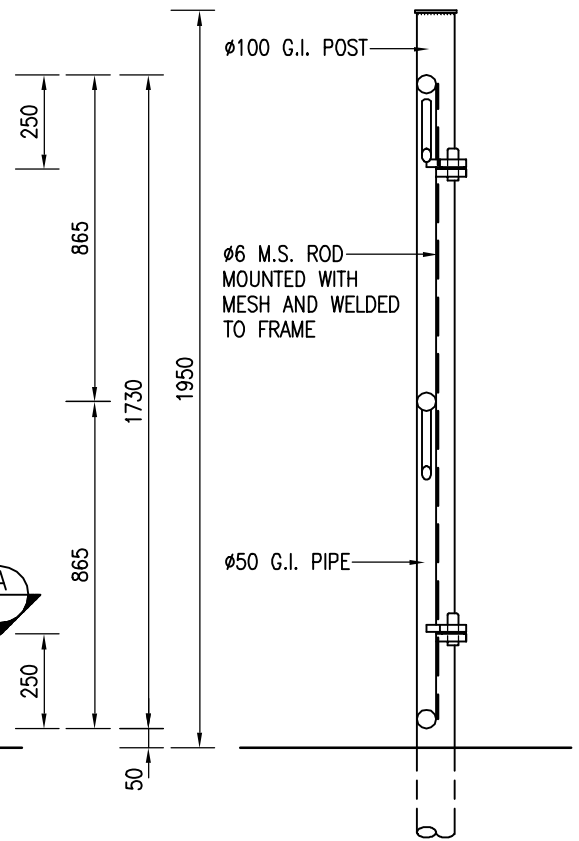
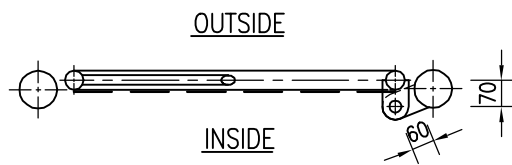


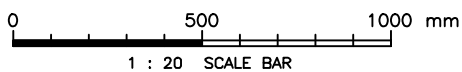
INSIDE ELEVATION



SECTION B - B



SECTION A - A



B	RE-FORMATTED TO CSWP	W.K. CHIU	14/11/03
A	GENERAL REVISION	W.K. CHIU	10/10/00
REF.	REVISION	APPROVED	DATE

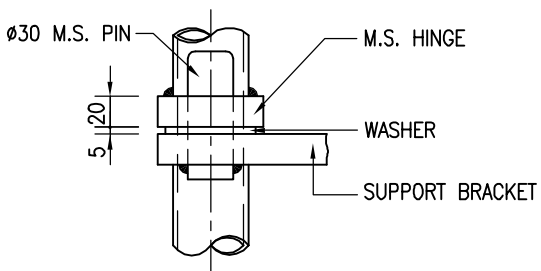
Cad Ref. : WSD060601-B.dwg

SIDE GATE FOR TYPE II
CHAIN LINK FENCE

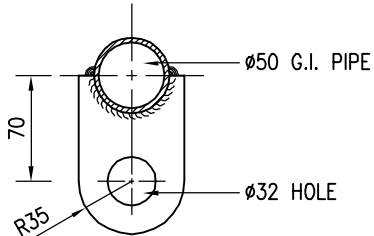


水務署
Water Supplies Department

APPROVED	G.C. LEE AD/NW	DRAWING NO. WSD 6.6B (SHEET 1 OF 2)	CSWP
DATE	9/6/92		
SCALE	1 : 20		

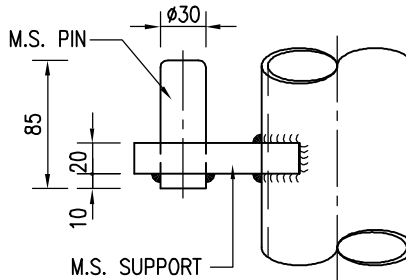


ELEVATION

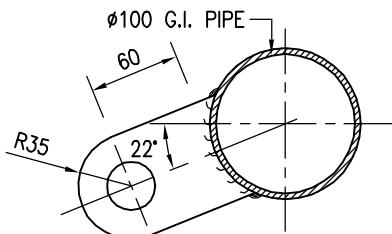


SECTIONAL PLAN

M.S. HINGE ON GATE

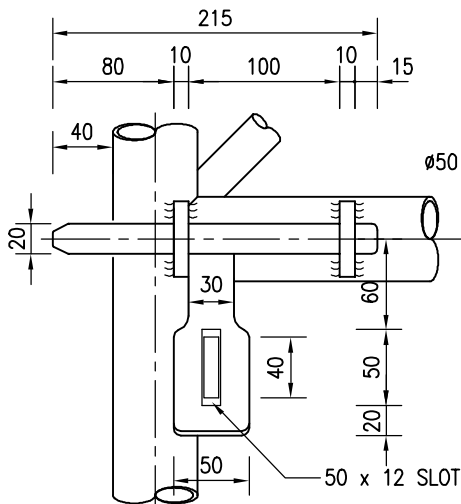


ELEVATION

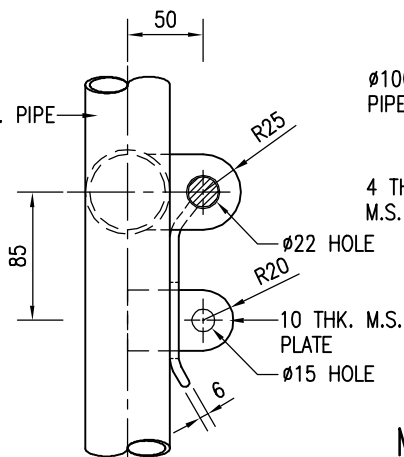


SECTIONAL PLAN

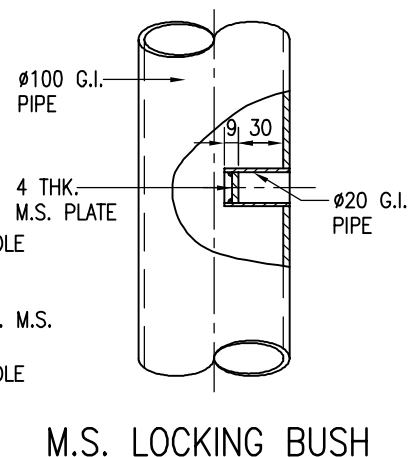
M.S. SUPPORT BRACKET ON POST



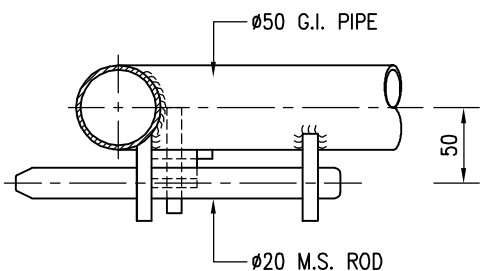
FRONT ELEVATION



SIDE ELEVATION



M.S. LOCKING BUSH

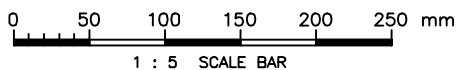


SECTIONAL PLAN

M.S. LOCKING BOLT

NOTES :

1. ALL DIMENSIONS ARE IN MILLIMETRES.
2. ALL WELDS SHALL BE 6mm FILLET WELD.



Cad Ref. : WSD060602-B.dwg

SIDE GATE FOR TYPE II
CHAIN LINK FENCE



水務署
Water Supplies Department

APPROVED

G.C. LEE
AD/NW

DATE

9/6/92

SCALE

1 : 5

DRAWING NO.

WSD 6.6B

(SHEET 2 OF 2)

CSWP