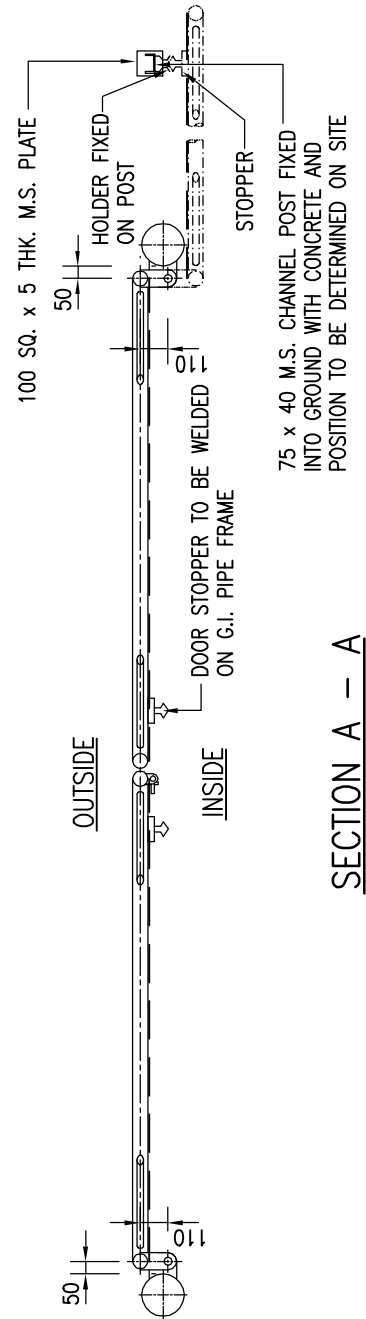


INSIDE ELEVATION

SECTION B - B



SECTION A - A

MAIN GATE FOR TYPE II
CHAIN LINK FENCE

B	RE-FORMATTED TO CSWP	W.K. CHIU	14/11/03
A	GENERAL REVISION	W.K. CHIU	20/9/00
REF.	REVISION	APPROVED	DATE

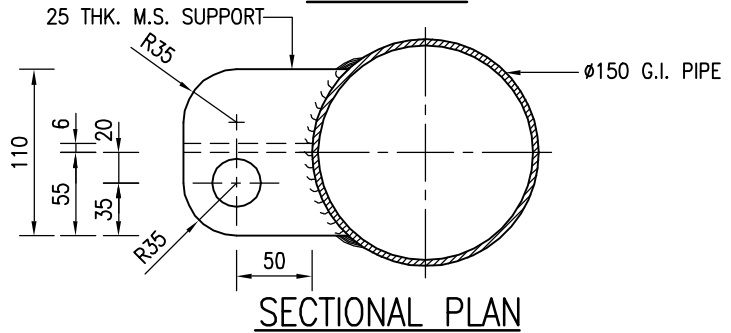
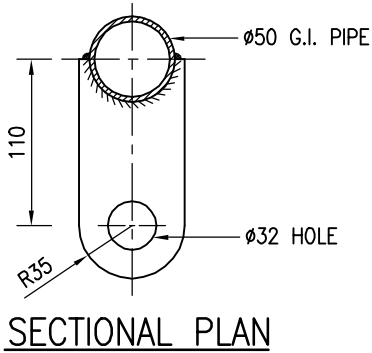
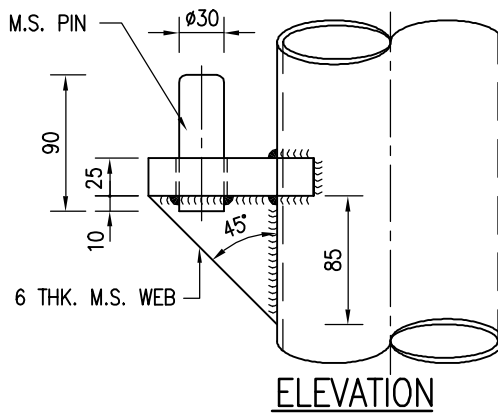
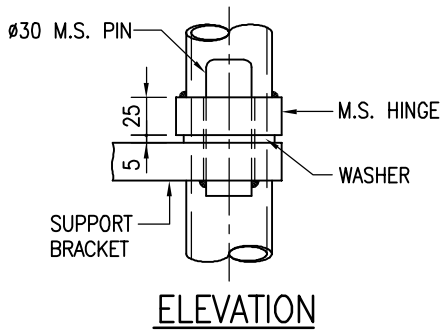


水務署
Water Supplies Department

APPROVED	G.C. LEE AD/NW
DATE	9/6/92
SCALE	N.T.S.

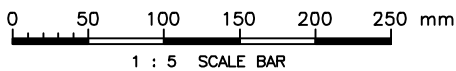
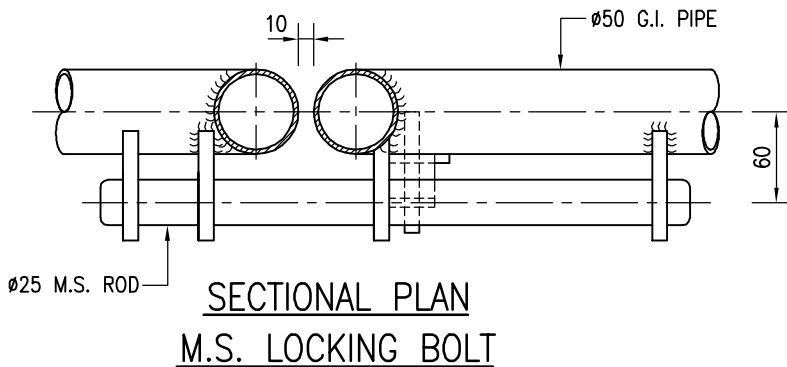
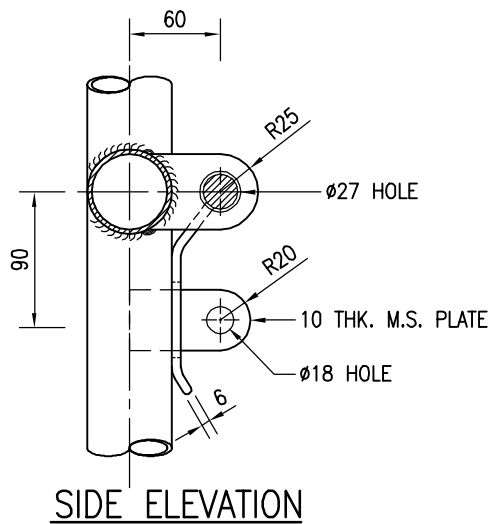
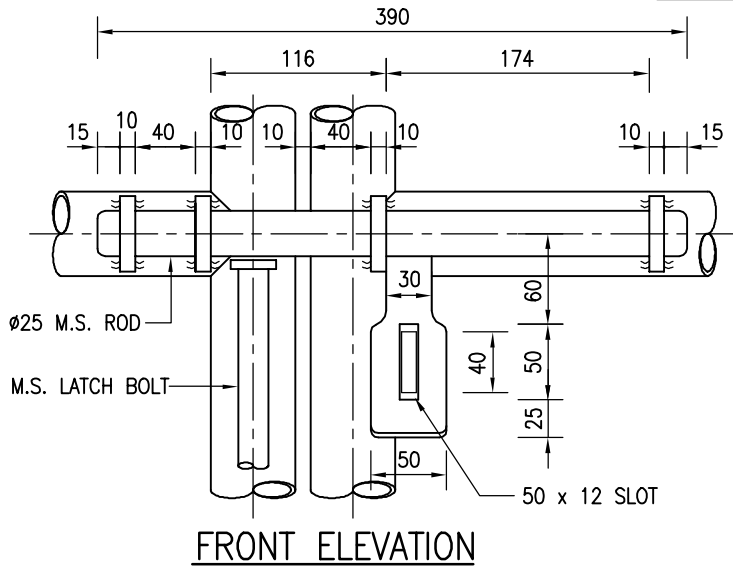
DRAWING NO.
WSD 6.5B
(SHEET 1 OF 3)

CSWP



M.S. HINGE ON GATE

M.S. SUPPORT BRACKET ON POST



Cad Ref. : WSD060502-B.dwg

MAIN GATE FOR TYPE II
CHAIN LINK FENCE



水務署
Water Supplies Department

APPROVED

G.C. LEE
AD/NW

DATE

9/6/92

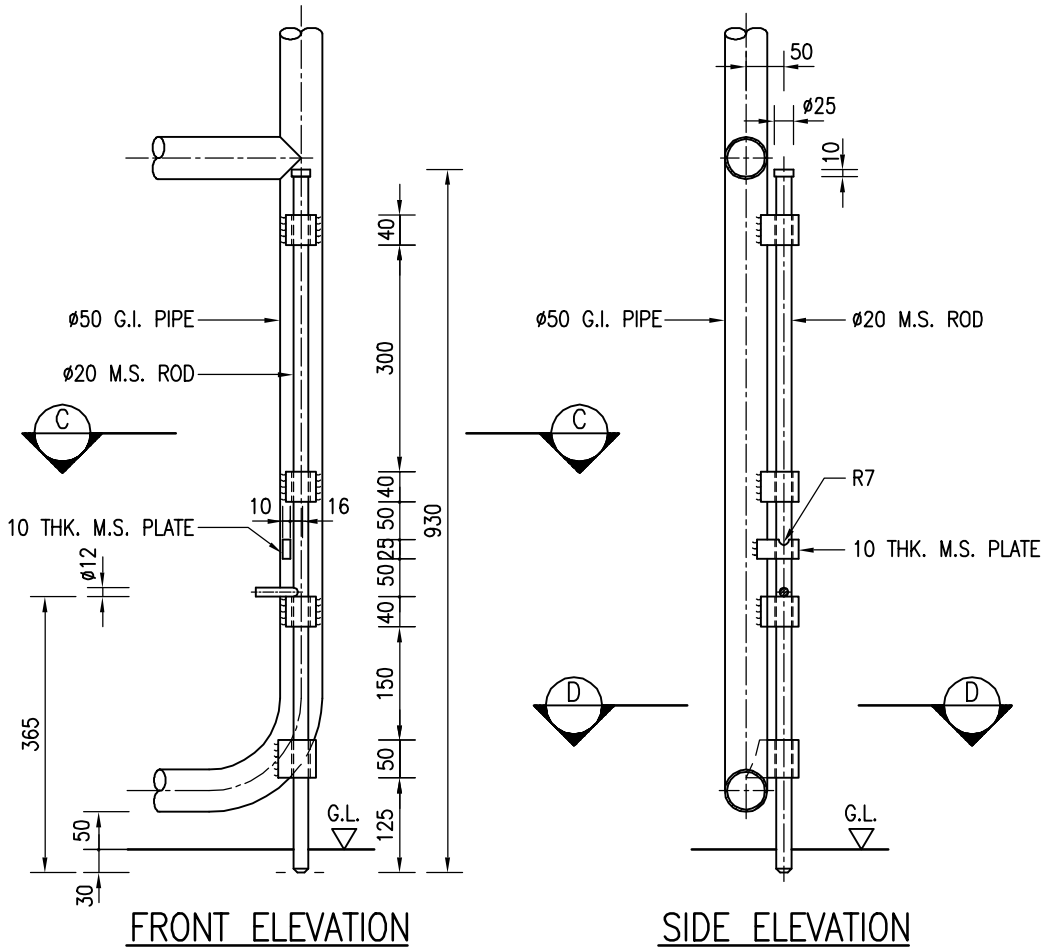
SCALE

1 : 5

DRAWING NO.

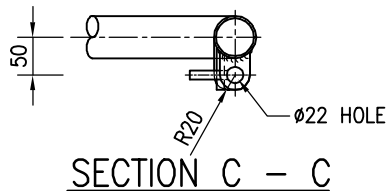
WSD 6.5B
(SHEET 2 OF 3)

CSWP

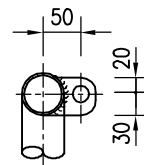


FRONT ELEVATION

SIDE ELEVATION



SECTION C - C

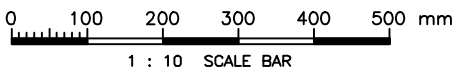


SECTION D - D

M.S. LATCH BOLT

NOTES :

1. ALL DIMENSIONS ARE IN MILLIMETRES.
2. ALL WELDS SHALL BE 6mm FILLET WELD.



Cad Ref. : WSD060503-B.dwg

MAIN GATE FOR TYPE II
CHAIN LINK FENCE



水務署
Water Supplies Department

APPROVED

G.C. LEE
AD/NW

DATE

9/6/92

SCALE

1 : 10

DRAWING NO.

WSD 6.5B
(SHEET 3 OF 3)

CSWP