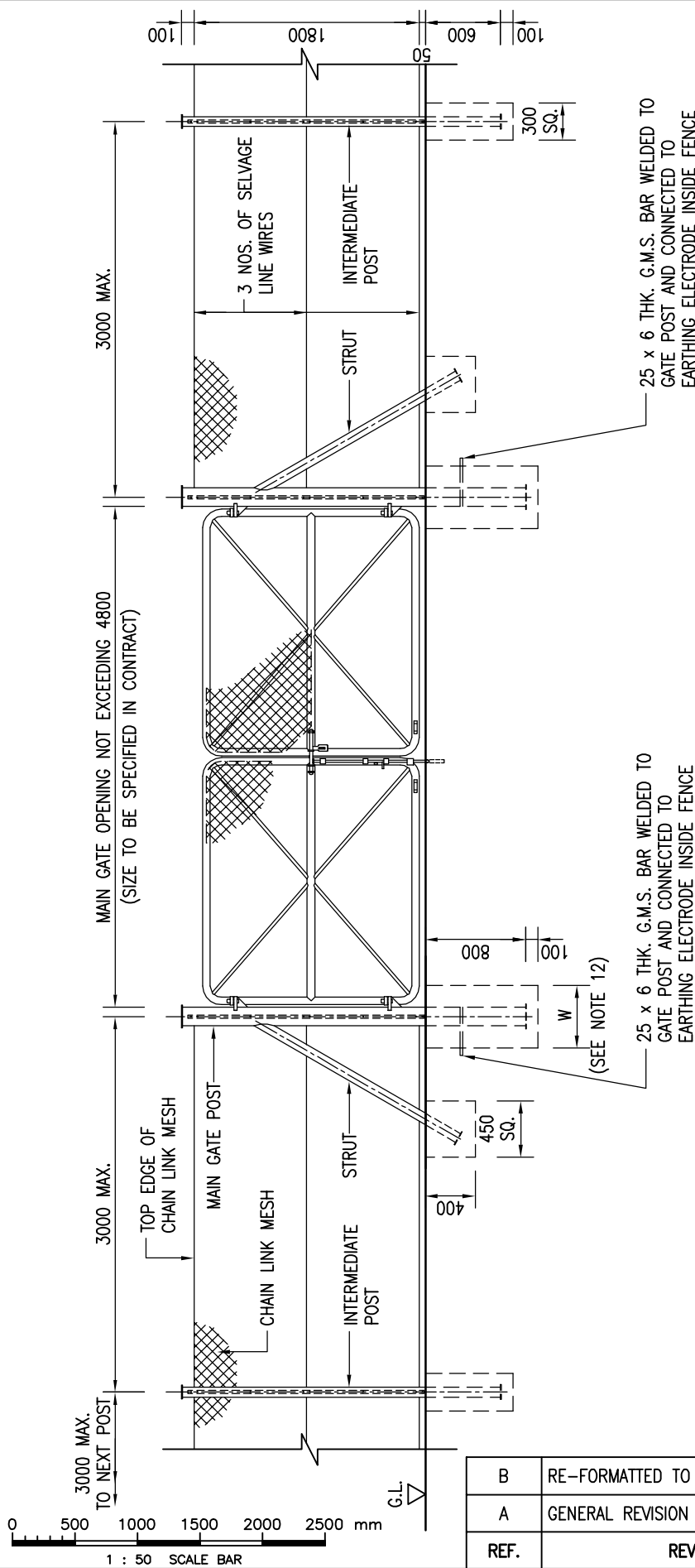


Cad Ref. : WSD060401-B.dwg



INSIDE ELEVATION  
(WITH MAIN GATE)

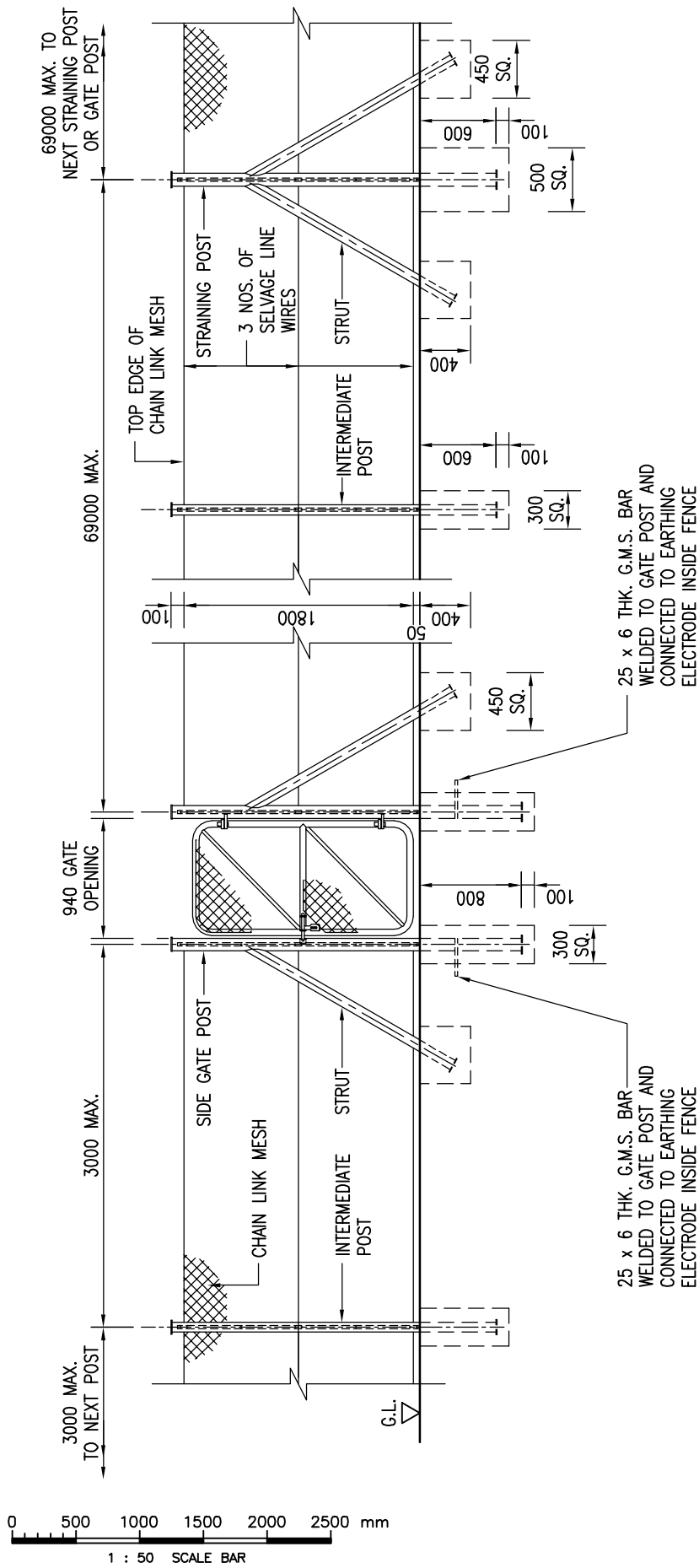
B	RE-FORMATTED TO CSWP	W.K. CHIU	14/11/03
A	GENERAL REVISION	W.K. CHIU	20/9/00
REF.	REVISION	APPROVED	DATE

CHAIN LINK FENCE - TYPE II



水務署  
Water Supplies Department

APPROVED	G.C. LEE AD/NW	DRAWING NO. WSD 6.4B (SHEET 1 OF 8)	CSWP
DATE	9/6/92		
SCALE	1 : 50		



**INSIDE ELEVATION  
(WITH SIDE GATE)**

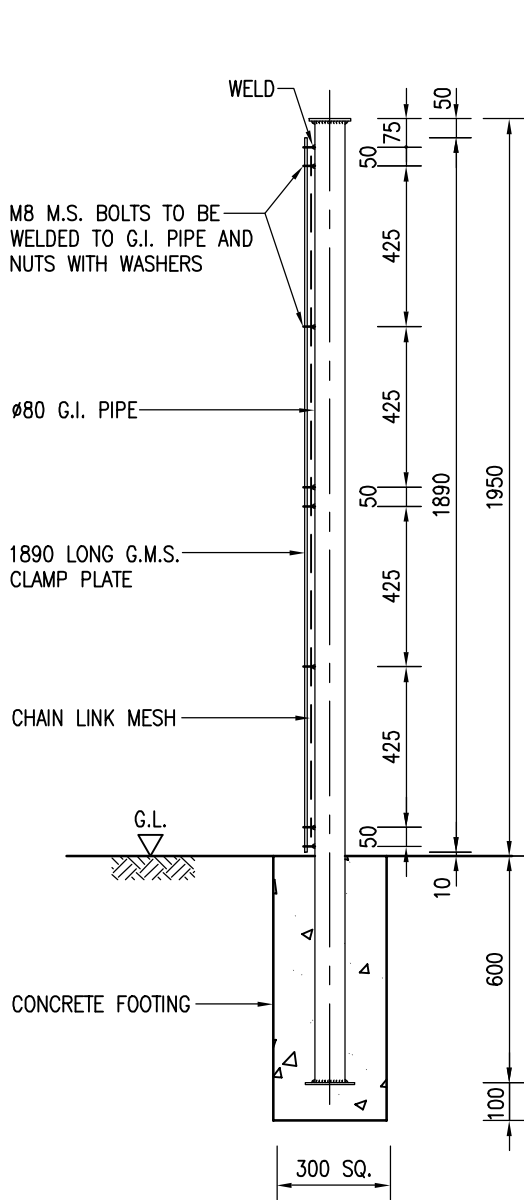
**CHAIN LINK FENCE - TYPE II**



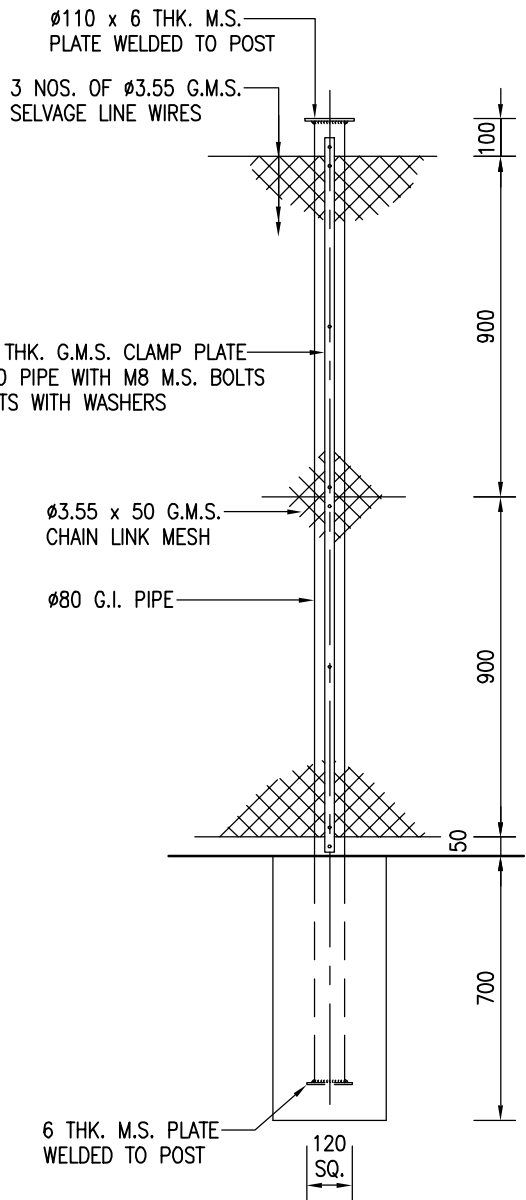
**水務署  
Water Supplies Department**

APPROVED	G.C. LEE AD/NW
DATE	9/6/92
SCALE	1 : 50

DRAWING NO.	CSWP
WSD 6.4B (SHEET 2 OF 8)	

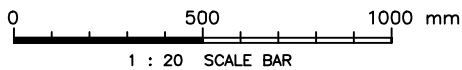


SECTION



OUTSIDE ELEVATION

INTERMEDIATE POST



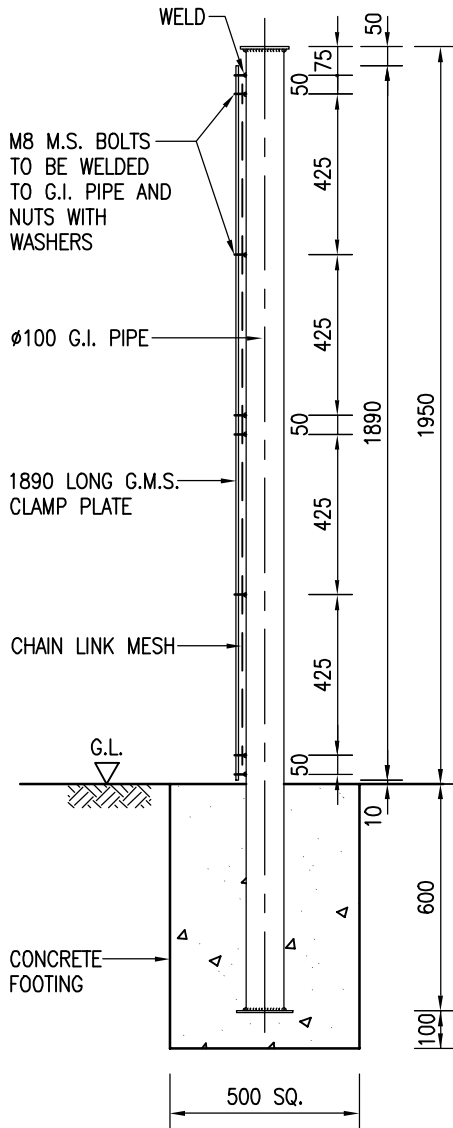
Cad Ref. : WSD060403-B.dwg

CHAIN LINK FENCE - TYPE II

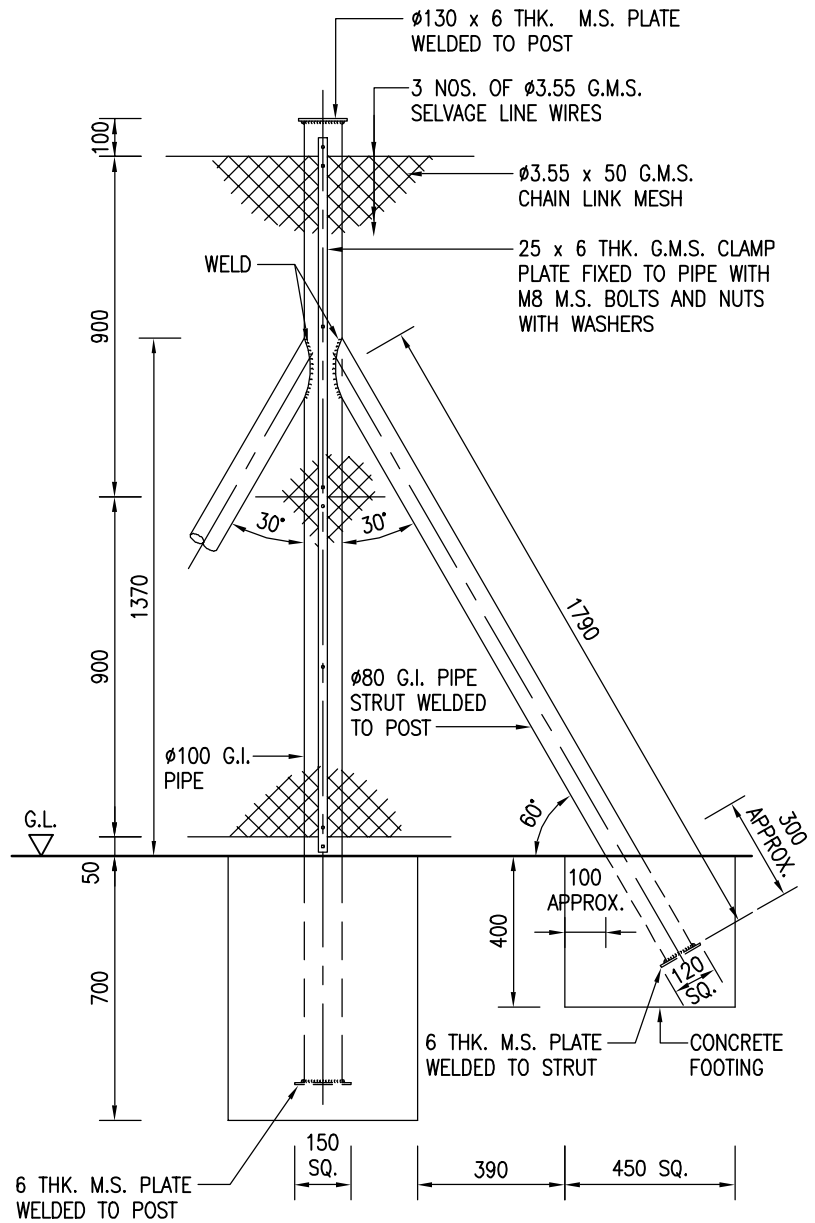


水務署  
Water Supplies Department

APPROVED	G.C. LEE AD/NW	DRAWING NO.	CSWP
DATE	9/6/92	WSD 6.4B	
SCALE	1 : 20	(SHEET 3 OF 8)	

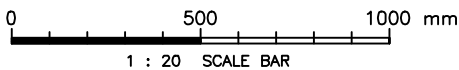


SECTION



OUTSIDE ELEVATION

STRAINING POST AND STRUTS



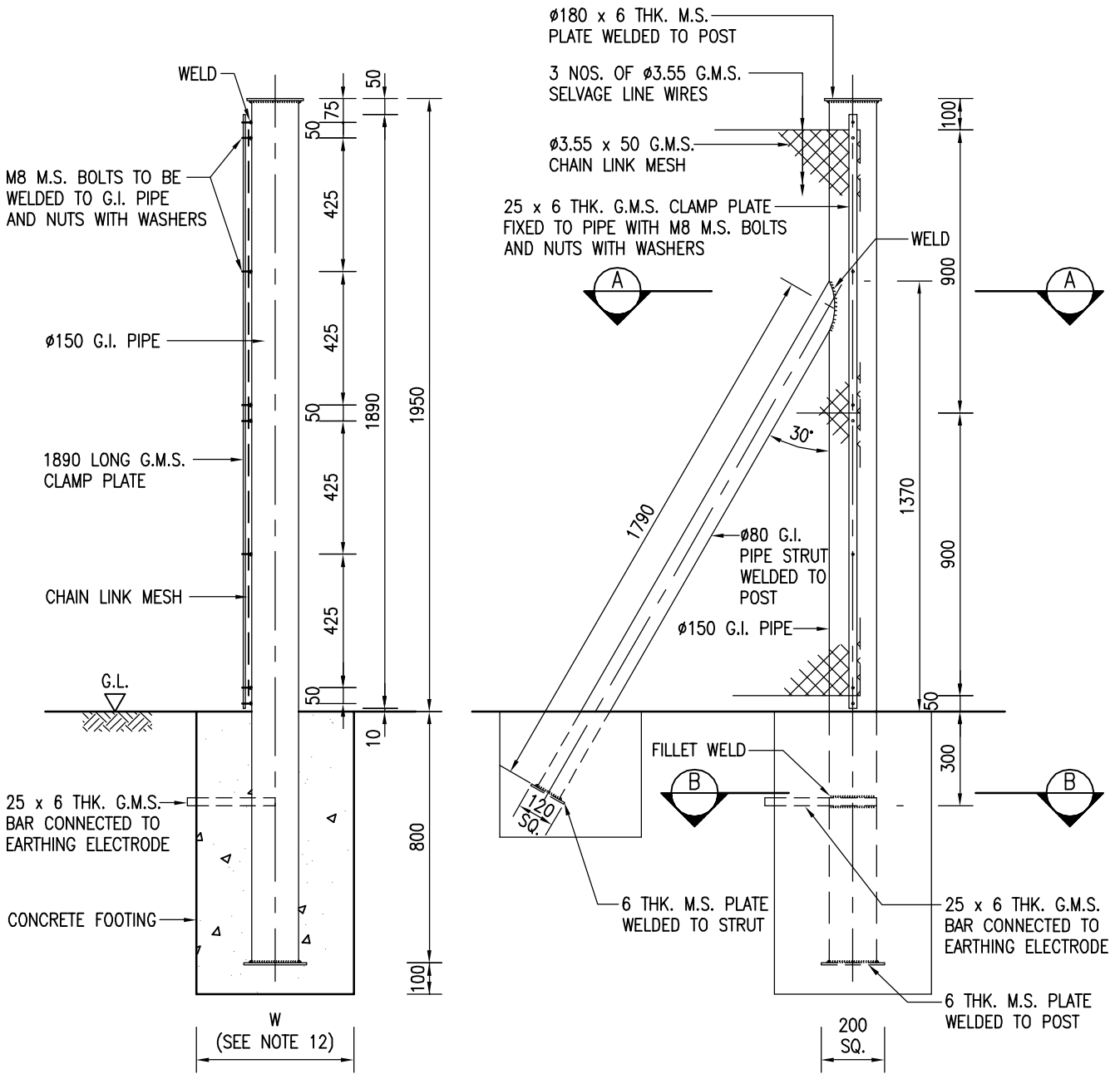
Cad Ref. : WSD060404-B.dwg

CHAIN LINK FENCE - TYPE II



水務署  
Water Supplies Department

APPROVED	G.C. LEE AD/NW	DRAWING NO. WSD 6.4B (SHEET 4 OF 8)	CSWP
DATE	9/6/92		
SCALE	1 : 20		

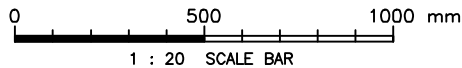


SECTION

OUTSIDE ELEVATION

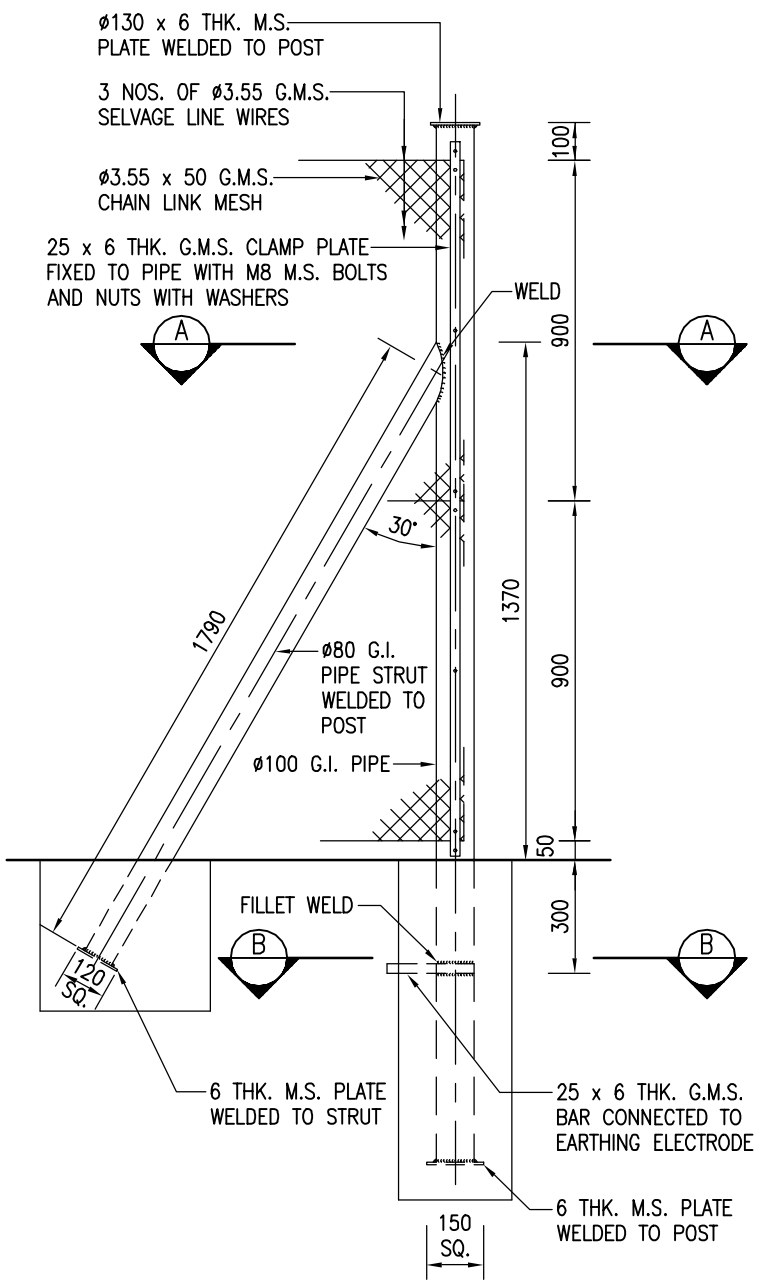
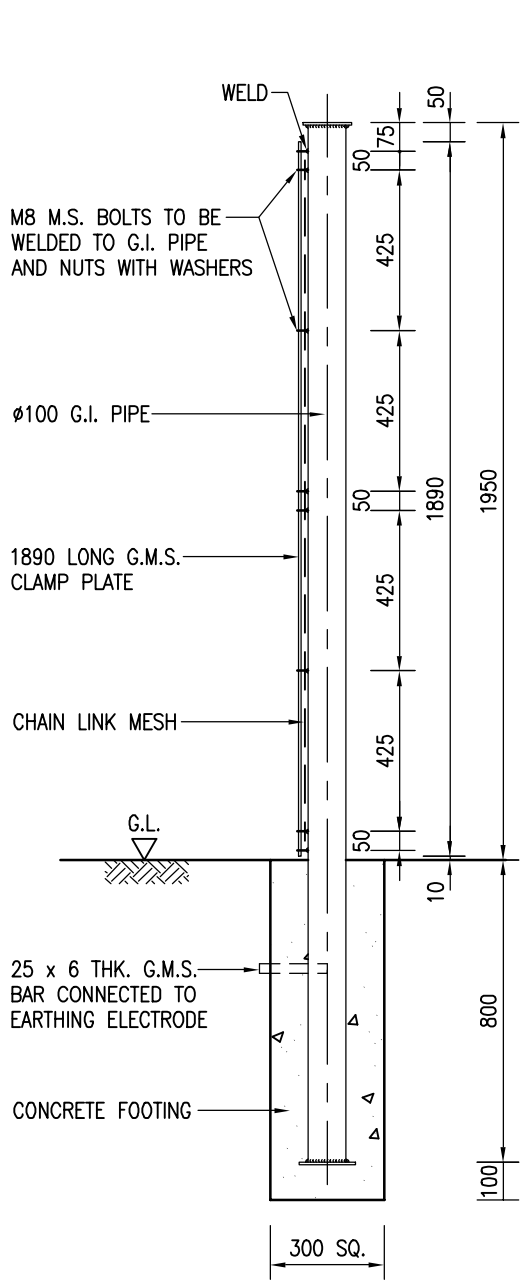
MAIN GATE POST

(DETAILS OF GATE POST ON OTHER SIDE SIMILAR BUT RIGHT HANDED)



Cad Ref. : WSD060405-B.dwg

<p>CHAIN LINK FENCE - TYPE II</p>	<p style="margin: 0;">水務署 Water Supplies Department</p>		<p>CSWP</p>
	<p>APPROVED</p>	<p>G.C. LEE AD/NW</p>	<p>DRAWING NO. WSD 6.4B (SHEET 5 OF 8)</p>
	<p>DATE</p>	<p>9/6/92</p>	
<p>SCALE</p>	<p>1 : 20</p>		

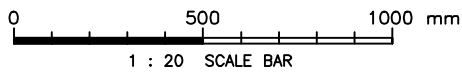


SECTION

OUTSIDE ELEVATION

**SIDE GATE POST**

(DETAILS OF GATE POST ON OTHER SIDE SIMILAR BUT RIGHT HANDED)



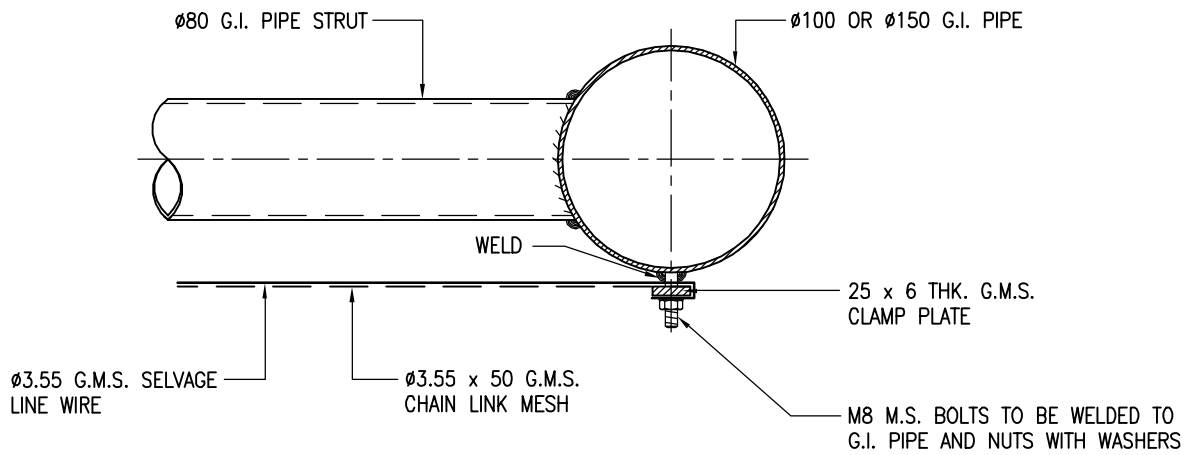
Cad Ref. : WSD060406-B.dwg

CHAIN LINK FENCE - TYPE II

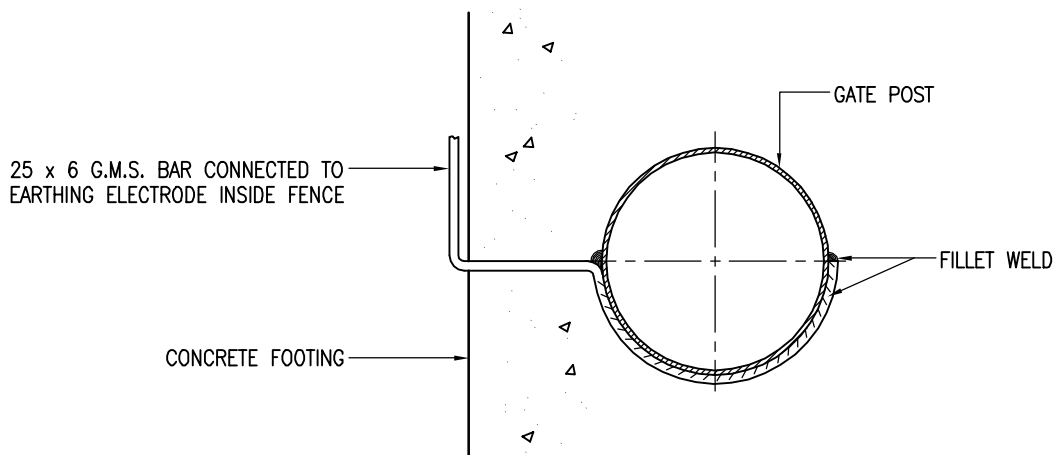


**水務署**  
Water Supplies Department

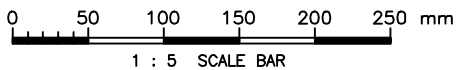
APPROVED	G.C. LEE AD/NW	DRAWING NO. WSD 6.4B (SHEET 6 OF 8)	CSWP
DATE	9/6/92		
SCALE	1 : 20		



SECTION A - A



SECTION B - B



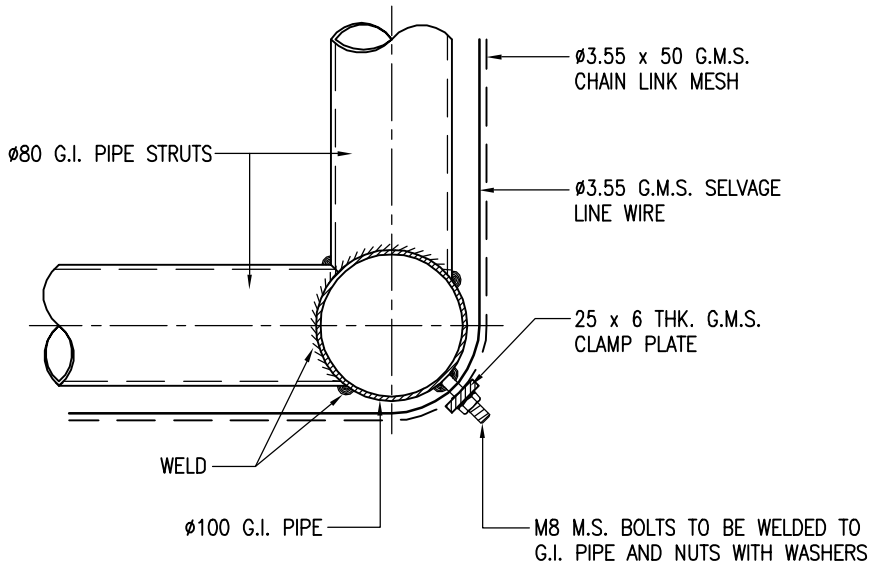
Cad Ref. : WSD060407-B.dwg

CHAIN LINK FENCE - TYPE II



水務署  
Water Supplies Department

APPROVED	G.C. LEE AD/NW	DRAWING NO. WSD 6.4B (SHEET 7 OF 8)	CSWP
DATE	9/6/92		
SCALE	1 : 5		

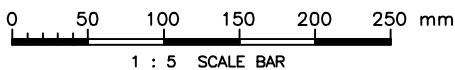


## DETAILS OF STRAINING POST AT CORNER

NOTES :

1. ALL DIMENSIONS ARE IN MILLIMETRES.
2. UNLESS OTHERWISE SHOWN, MATERIALS FOR THE ERECTION OF CHAIN LINK FENCE SHALL BE IN ACCORDANCE WITH BS 1722 : PART 10.
3. STRAINING POSTS SHALL BE PROVIDED AT ALL ENDS AND CORNERS OF FENCE, AT CHANGES IN DIRECTION OR ACUTE CHANGES IN LEVEL, AND AT INTERVALS NOT EXCEEDING 69m IN STRAIGHT LENGTHS OF FENCE. THE ANGLE AT ANY CHANGE OF DIRECTION IN THE FENCE SHALL, WHEREVER POSSIBLE, BE NOT LESS THAN 130° TO AVOID PROVIDING FACILITIES FOR CLIMBING.
4. STRUTS SHALL BE FITTED TO ALL STRAINING POSTS IN THE DIRECTION OF THE LINE OF FENCE.
5. CONCRETE FOR FOOTINGS SHALL BE GRADE 20/20S.
6. ALL CONNECTIONS OF POSTS AND STRUTS SHALL BE WELDED CONSTRUCTIONS.
7. OTHER THAN GALVANIZED MILD STEEL, STEELWORKS SHALL BE PAINTED WITH 2 COATS OF ZINC CHROMATE PRIMER AND 2 COATS OF FINISHING PAINT.
8. ONE NUMBER EARTHING ELECTRODE AS SHOWN ON DRAWING NO. WSD 6.7 SHALL BE INSTALLED FOR EVERY 40m OF CHAIN LINK FENCE. THE EXACT LOCATIONS SHALL BE DETERMINED BY THE ENGINEER.
9. A 25 x 6 THK. G.M.S. CONNECTING BAR SHALL BE LAID AT A DEPTH NOT EXCEEDING 500mm BETWEEN THE CHAIN LINK FENCE AND THE ELECTRODE UP TO A MAXIMUM DISTANCE OF 5m.
10. FOR DETAILS OF GATES REFER TO DRAWING NOS. WSD 6.5 AND 6.6.
11. ALL WELDS SHALL BE 6mm FILLET WELD.
12. DIMENSIONS OF W ARE AS FOLLOWS :

W	MAIN GATE OPENING SIZE
500 SQ. MIN.	UP TO 4000
600 SQ. MIN.	EXCEEDING 4000 BUT NOT EXCEEDING 4800



CHAIN LINK FENCE – TYPE II



**水務署**  
Water Supplies Department

APPROVED

G.C. LEE  
AD/NW

DATE

9/6/92

SCALE

1 : 5

DRAWING NO.

WSD 6.4B

(SHEET 8 OF 8)

CSWP