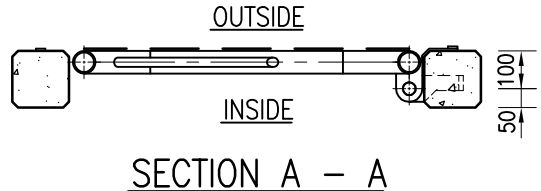
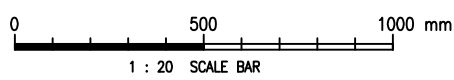


ELEVATION (FROM INSIDE)

SECTION B - B



SECTION A - A



C	NOTE 3 UPDATED	W.K. CHIU	18/7/08
B	ANTI-BURGLAR AND WEATHER-PROOF BOX ADDED AND RE-FORMATTED TO CSWP	W.K. CHIU	14/11/03
A	GENERAL REVISION	W.K. CHIU	10/10/00
REF.	REVISION	APPROVED	DATE

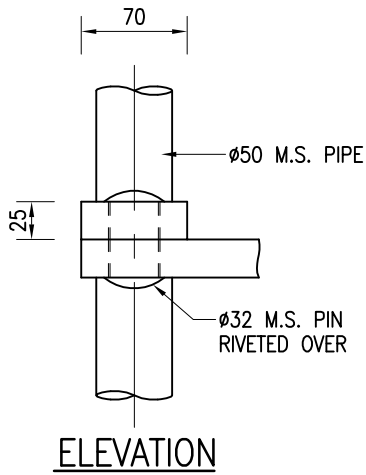
Cad Ref. : WSD060301-C.dwg

SIDE GATE FOR TYPE I CHAIN LINK FENCE

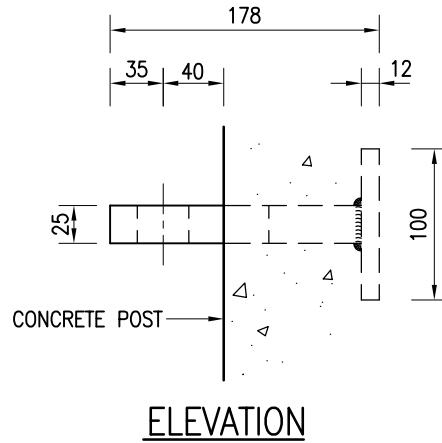


水務署
Water Supplies Department

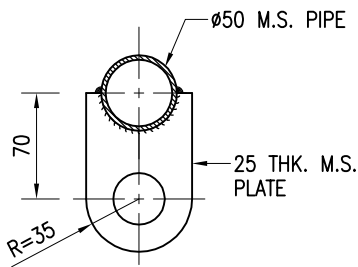
APPROVED	G.C. LEE AD/NW	DRAWING NO. WSD 6.3C (SHEET 1 OF 4)	CSWP
DATE	9/6/92		
SCALE	1 : 20		



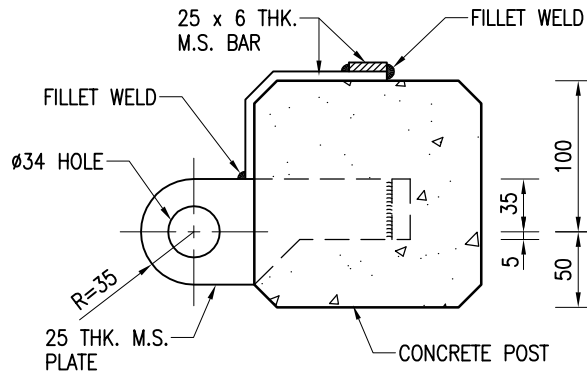
ELEVATION



ELEVATION



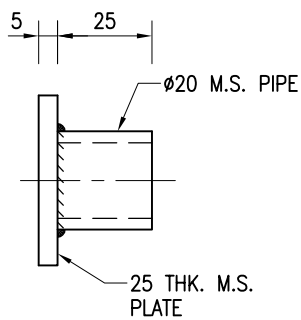
SECTIONAL PLAN



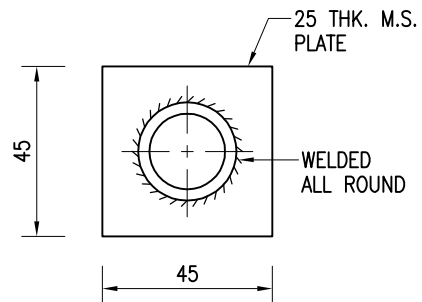
SECTIONAL PLAN

M.S. HINGE ON GATE

M.S. HINGE IN CONCRETE POST



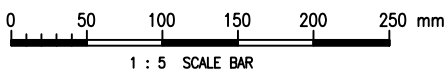
ELEVATION



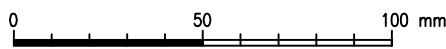
SIDE ELEVATION

M.S. LOCKING BUSH

SCALE 1 : 2



1 : 5 SCALE BAR



1 : 2 SCALE BAR

Cad Ref. : WSD060302-C.dwg

SIDE GATE FOR TYPE I
CHAIN LINK FENCE



水務署
Water Supplies Department

APPROVED

G.C. LEE
AD/NW

DATE

9/6/92

SCALE

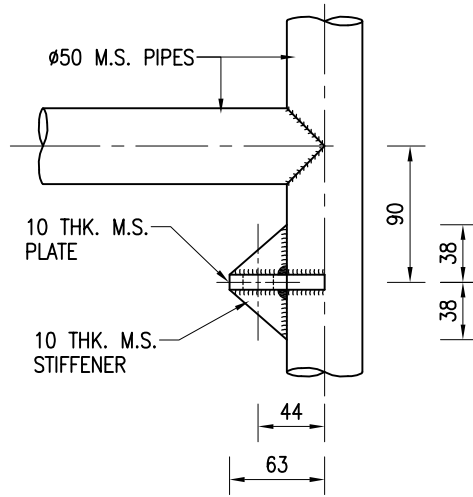
1 : 5 OR AS SHOWN

DRAWING NO.

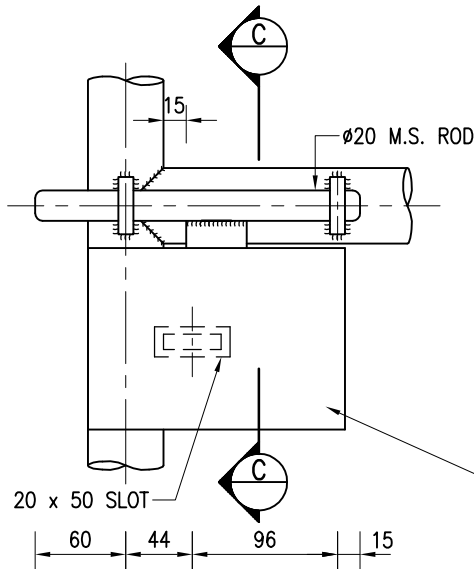
WSD 6.3C

(SHEET 2 OF 4)

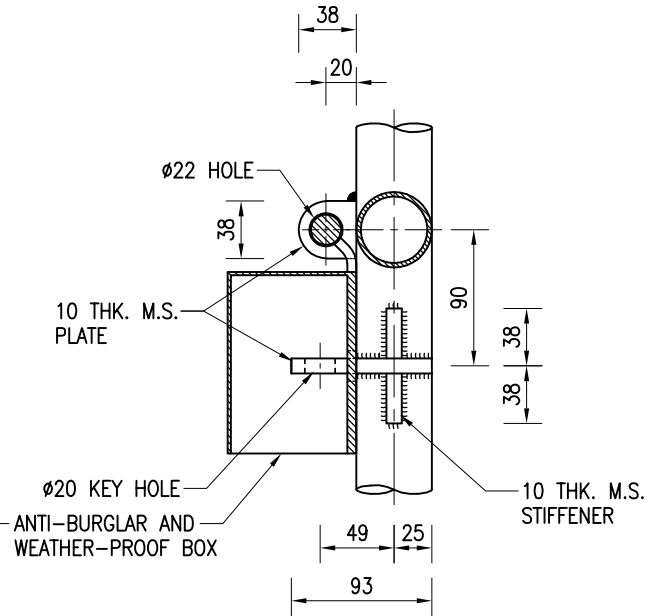
CSWP



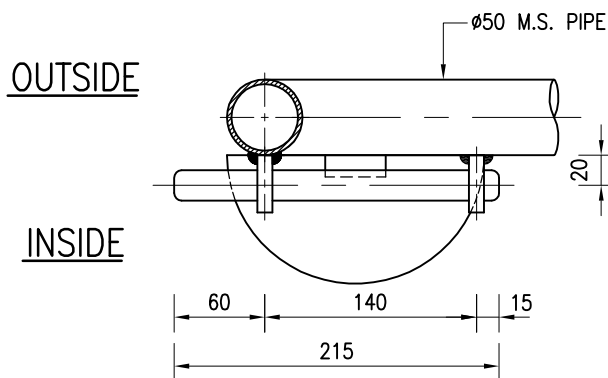
REAR ELEVATION



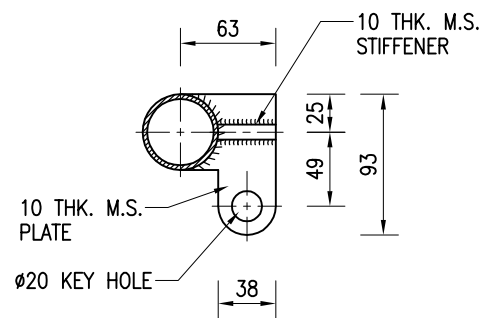
FRONT ELEVATION



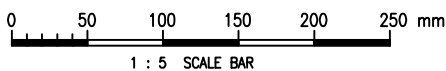
SECTION C - C



**SECTIONAL PLAN
M.S. LOCKING BOLT**



DETAILS OF KEY HOLE



Cad Ref. : WSD060303-C.dwg

SIDE GATE FOR TYPE I
CHAIN LINK FENCE



水務署
Water Supplies Department

APPROVED

G.C. LEE
AD/NW

DATE

9/6/92

SCALE

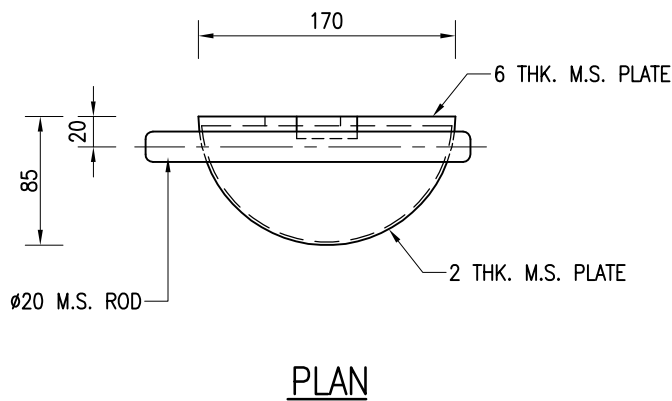
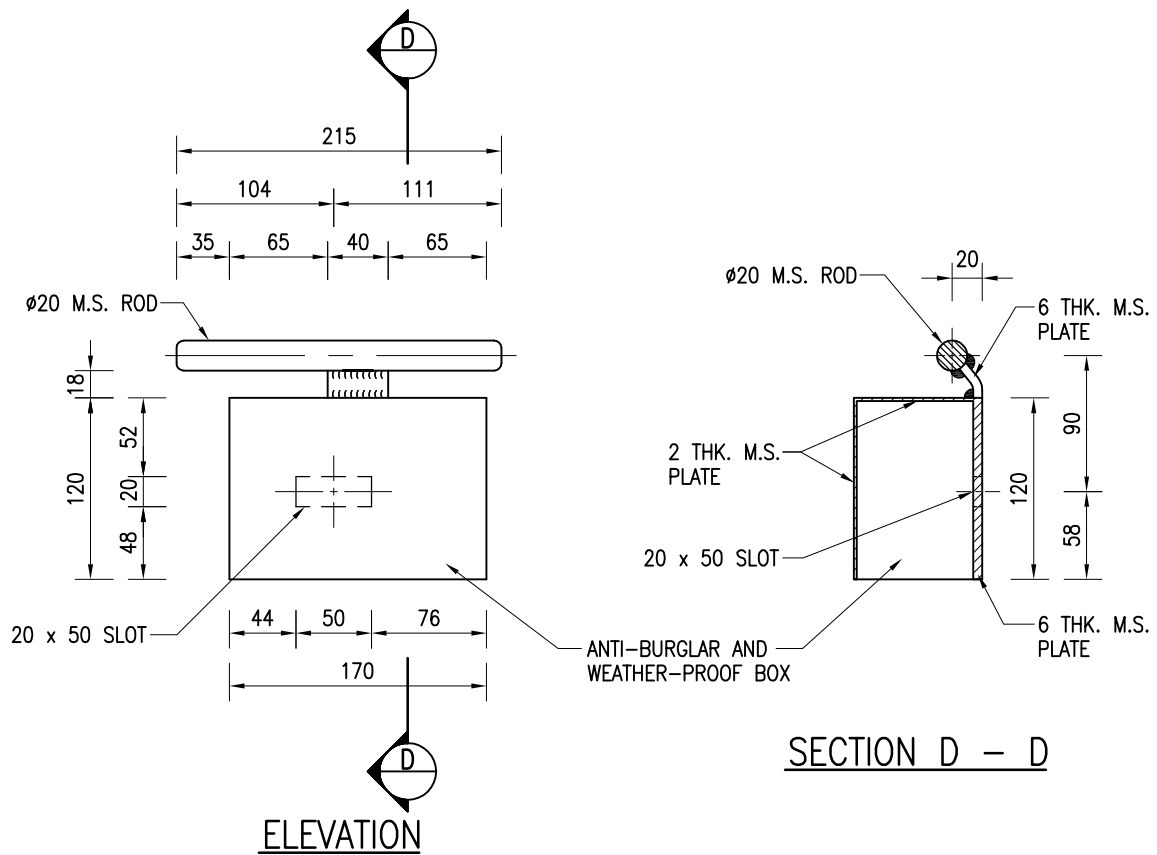
1 : 5

DRAWING NO.

WSD 6.3C

(SHEET 3 OF 4)

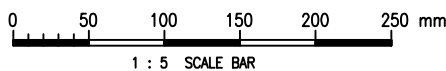
CSWP



**ANTI-BURGLAR AND
WEATHER-PROOF BOX FOR PAD-LOCK**

NOTES :

1. ALL DIMENSIONS ARE IN MILLIMETRES.
2. ALL WELDS SHALL BE 6mm FILLET WELD.
3. ALL STEEL MATERIALS SHALL BE HOT-DIP GALVANIZED TO BS EN ISO 1461:1999.



Cad Ref. : WSD060304-C.dwg



水務署
Water Supplies Department

SIDE GATE FOR TYPE I
CHAIN LINK FENCE

APPROVED

G.C. LEE
AD/NW

DATE

9/6/92

SCALE

1 : 5

DRAWING NO.

WSD 6.3C

(SHEET 4 OF 4)

CSWP