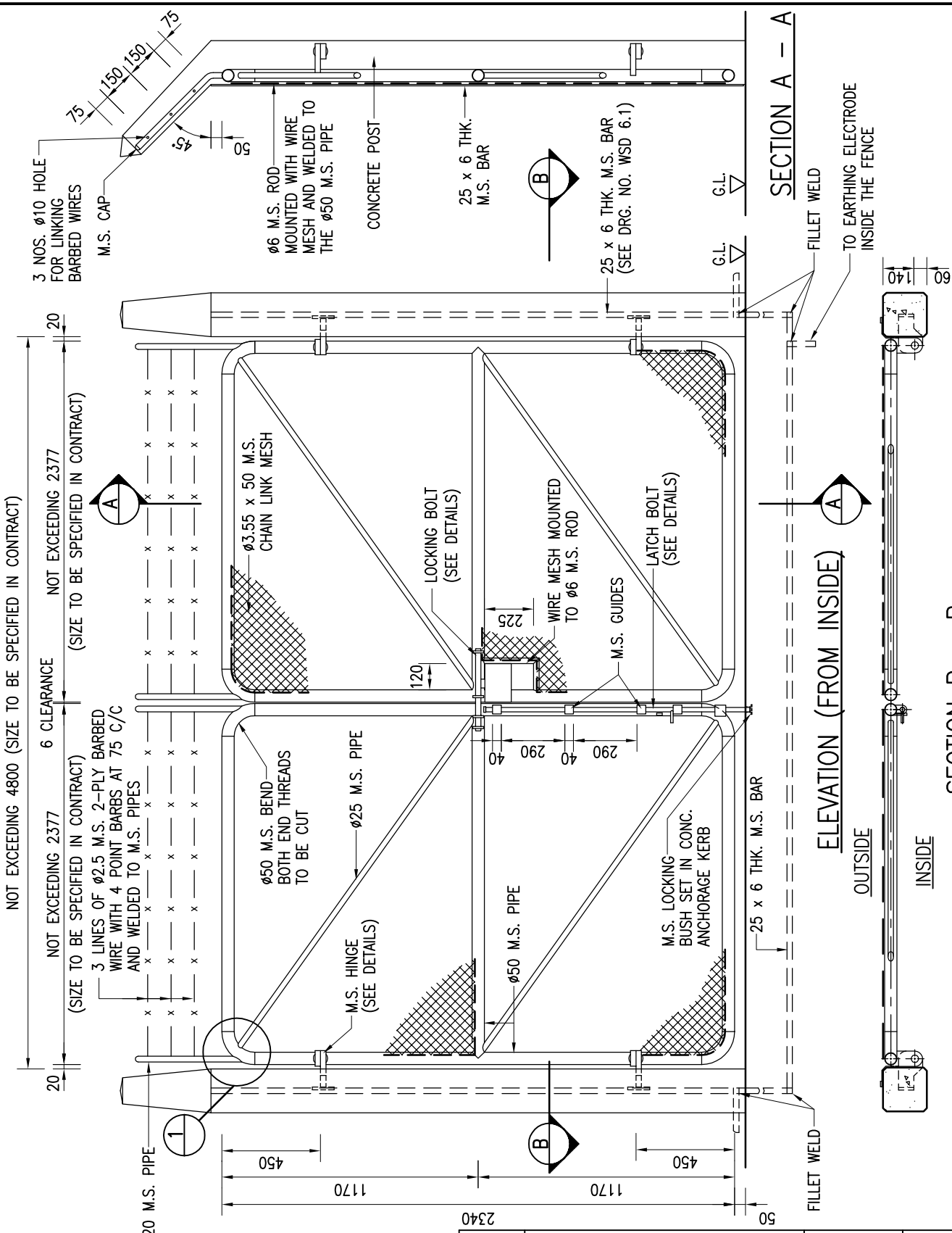



Cad Ref. : WSD060201-D.dwg



D	M.S. LATCH BOLT REVISED	S.K. YEUNG	31/10/12
REF.	REVISION	APPROVED	DATE

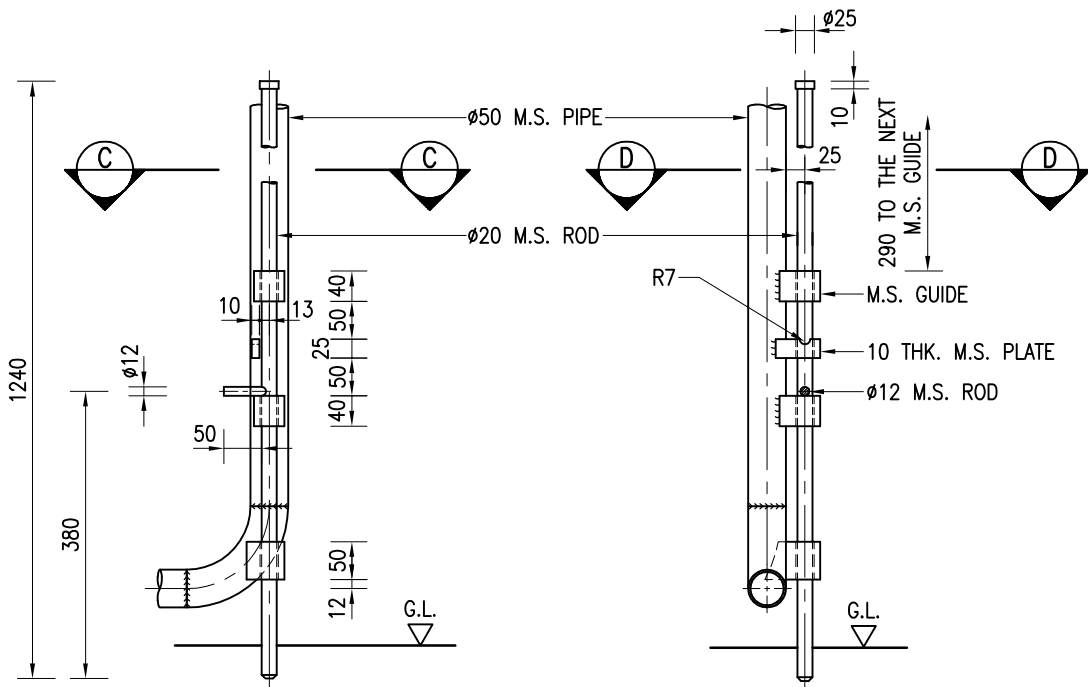
C	NOTE 3 UPDATED	W.K. CHIU	18/7/08
B	ANTI-BURGLAR AND WEATHER-PROOF BOX ADDED AND RE-FORMATTED TO CSWP	W.K. CHIU	14/11/03
A	GENERAL REVISION	W.K. CHIU	10/10/00
REF.	REVISION	APPROVED	DATE

MAIN GATE FOR TYPE I  
CHAIN LINK FENCE



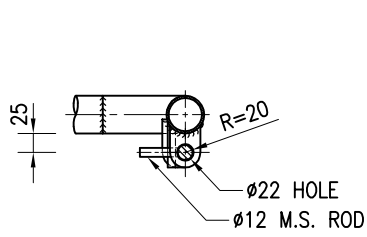
**水務署**  
**Water Supplies Department**

APPROVED	G.C. LEE AD/NW	DRAWING NO. <b>WSD 6.2D</b> (SHEET 1 OF 5)	CSWP
DATE	9/6/92		
SCALE	1 : 25		

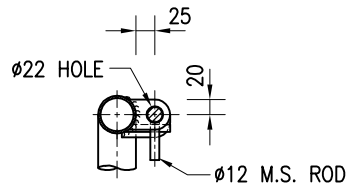


FRONT ELEVATION

SIDE ELEVATION

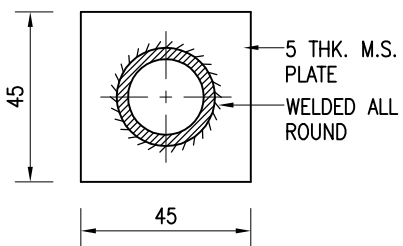


SECTION C - C

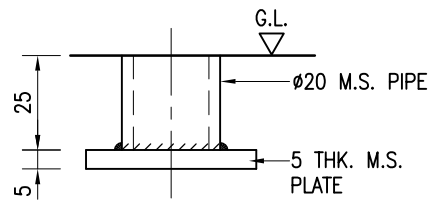


SECTION D - D

M.S. LATCH BOLT



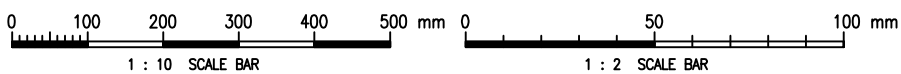
SECTIONAL PLAN



ELEVATION

M.S. LOCKING BUSH

SCALE 1 : 2



Cad Ref. : WSD060202-D.dwg

MAIN GATE FOR TYPE I  
CHAIN LINK FENCE



水務署  
Water Supplies Department

APPROVED

G.C. LEE  
AD/NW

DATE

9/6/92

SCALE

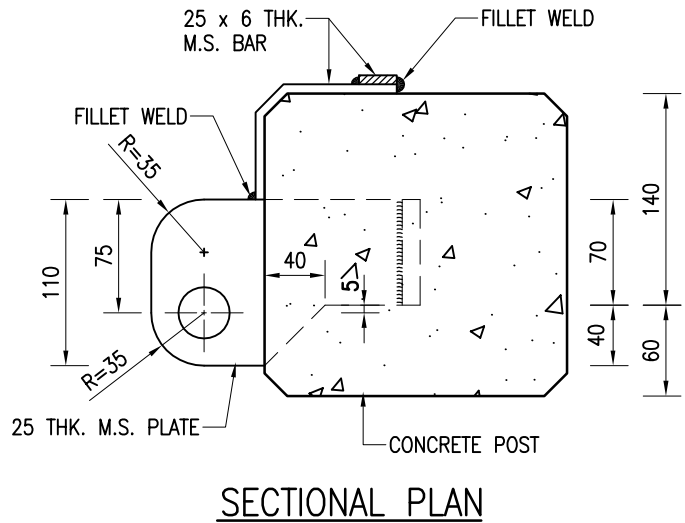
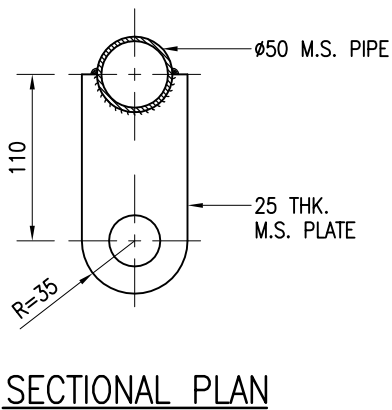
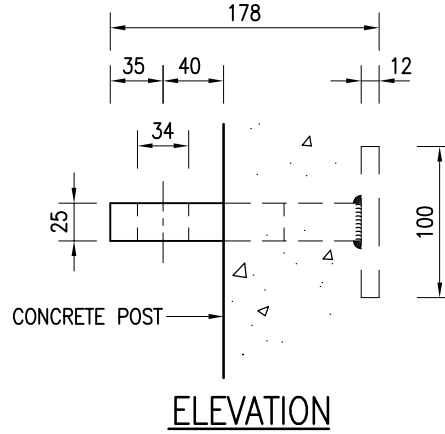
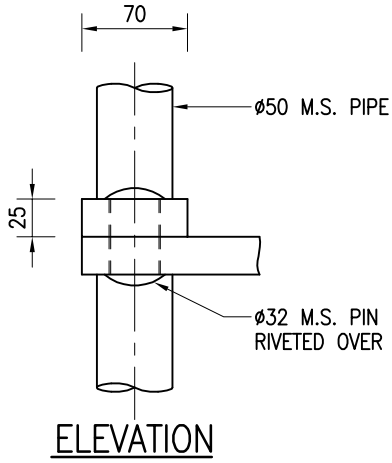
1 : 10 OR AS SHOWN

DRAWING NO.

WSD 6.2D

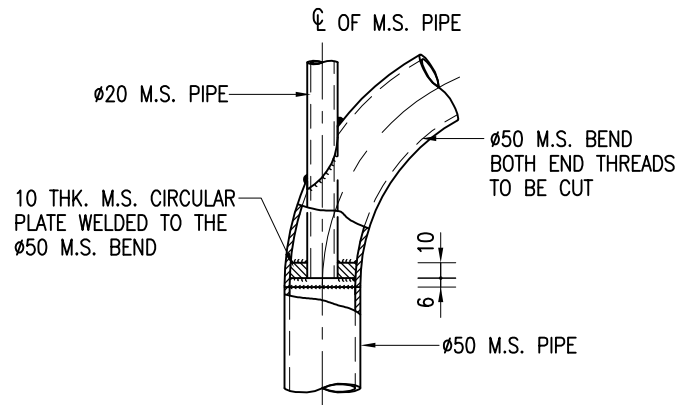
(SHEET 2 OF 5)

CSWP

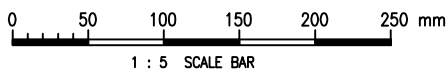


M.S. HINGE ON GATE

M.S. HINGE IN CONCRETE POST



DETAIL '1'



Cad Ref. : WSD060203-D.dwg

MAIN GATE FOR TYPE I  
CHAIN LINK FENCE



水務署  
Water Supplies Department

APPROVED

G.C. LEE  
AD/NW

DATE

9/6/92

SCALE

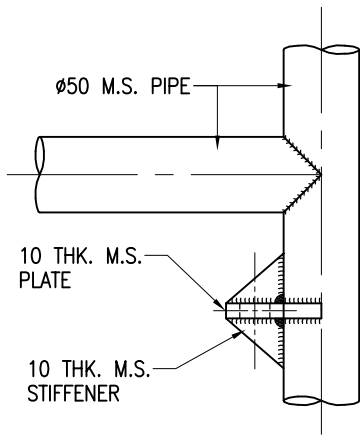
1 : 5

DRAWING NO.

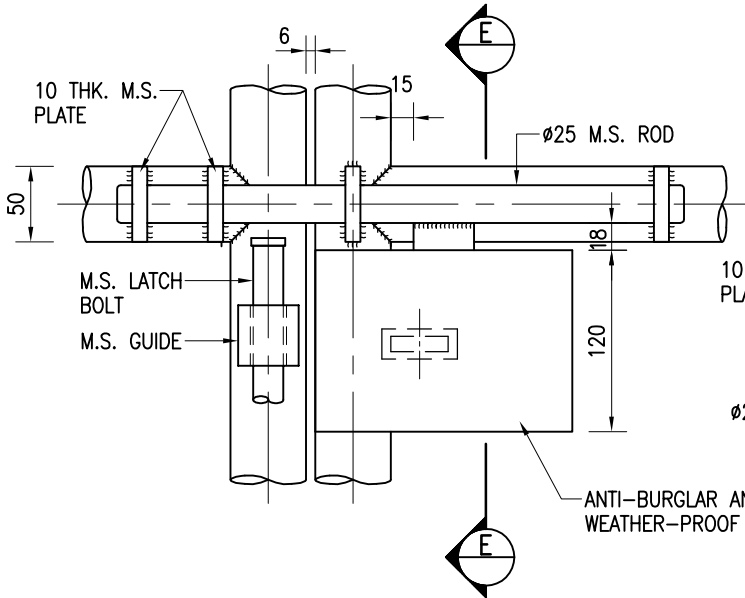
WSD 6.2D

(SHEET 3 OF 5)

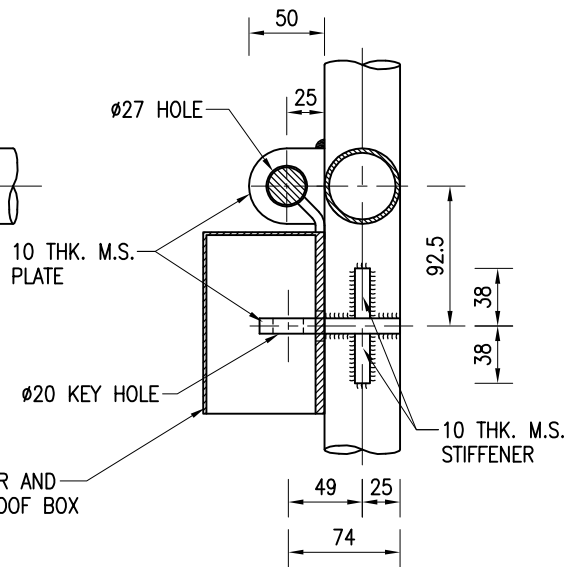
CSWP



REAR ELEVATION

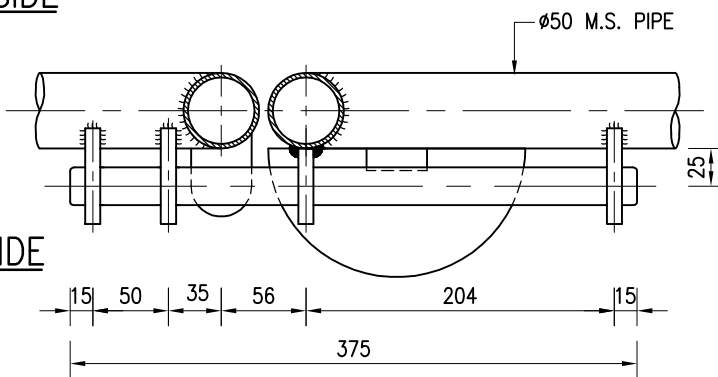


FRONT ELEVATION



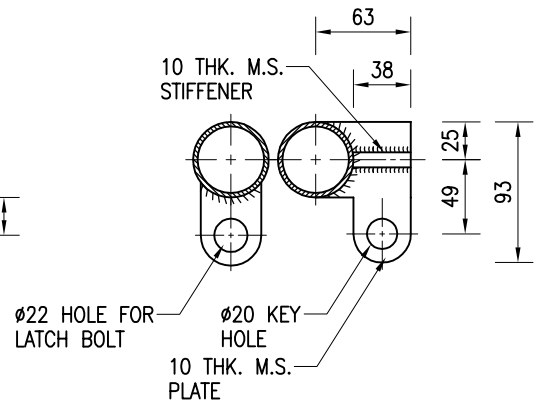
SECTION E - E

OUTSIDE

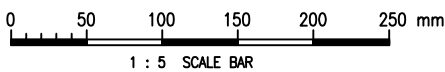


SECTIONAL PLAN  
M.S. LOCKING BOLT

INSIDE



DETAILS OF KEY HOLE



Cad Ref. : WSD060204-D.dwg



**水務署**  
**Water Supplies Department**

MAIN GATE FOR TYPE I  
CHAIN LINK FENCE

APPROVED

G.C. LEE  
AD/NW

DATE

9/6/92

SCALE

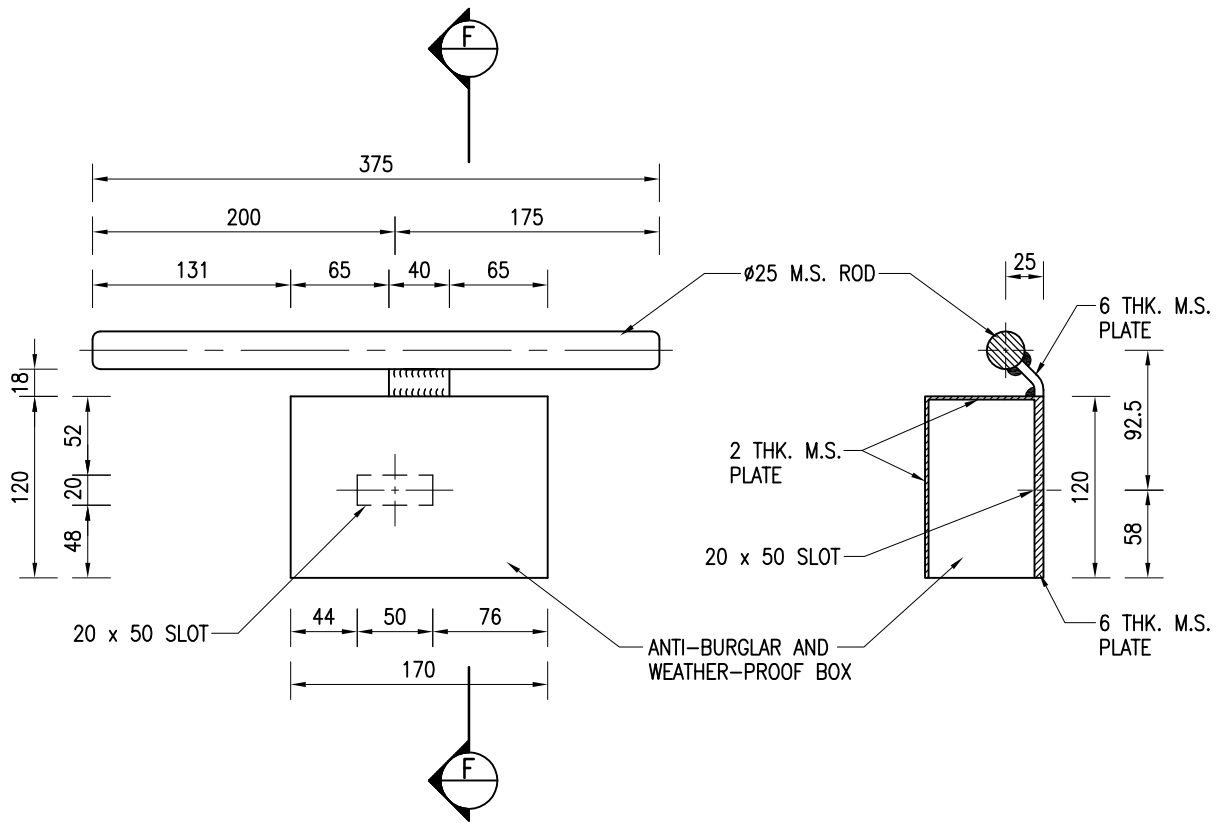
1 : 5

DRAWING NO.

WSD 6.2D

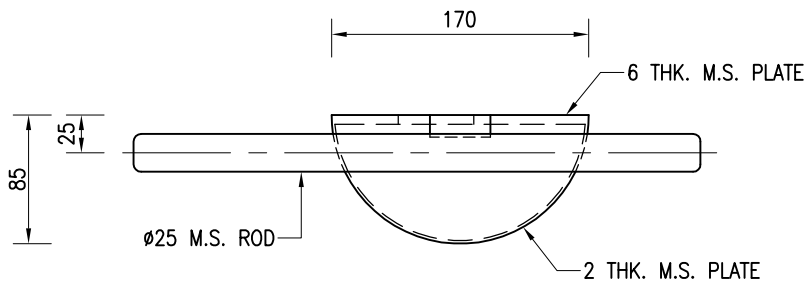
(SHEET 4 OF 5)

CSWP



ELEVATION

SECTION F - F

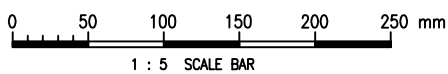


PLAN

ANTI-BURGLAR AND  
WEATHER-PROOF BOX FOR PAD-LOCK

NOTES :

1. ALL DIMENSIONS ARE IN MILLIMETRES.
2. ALL WELDS SHALL BE 6mm FILLET WELD.
3. ALL STEEL MATERIALS SHALL BE HOT-DIP GALVANIZED TO BS EN ISO 1461:1999.



Cad Ref. : WSD060205-D.dwg

MAIN GATE FOR TYPE I  
CHAIN LINK FENCE



水務署  
Water Supplies Department

APPROVED

G.C. LEE  
AD/NW

DATE

9/6/92

SCALE

1 : 5

DRAWING NO.

WSD 6.2D

(SHEET 5 OF 5)

CSWP