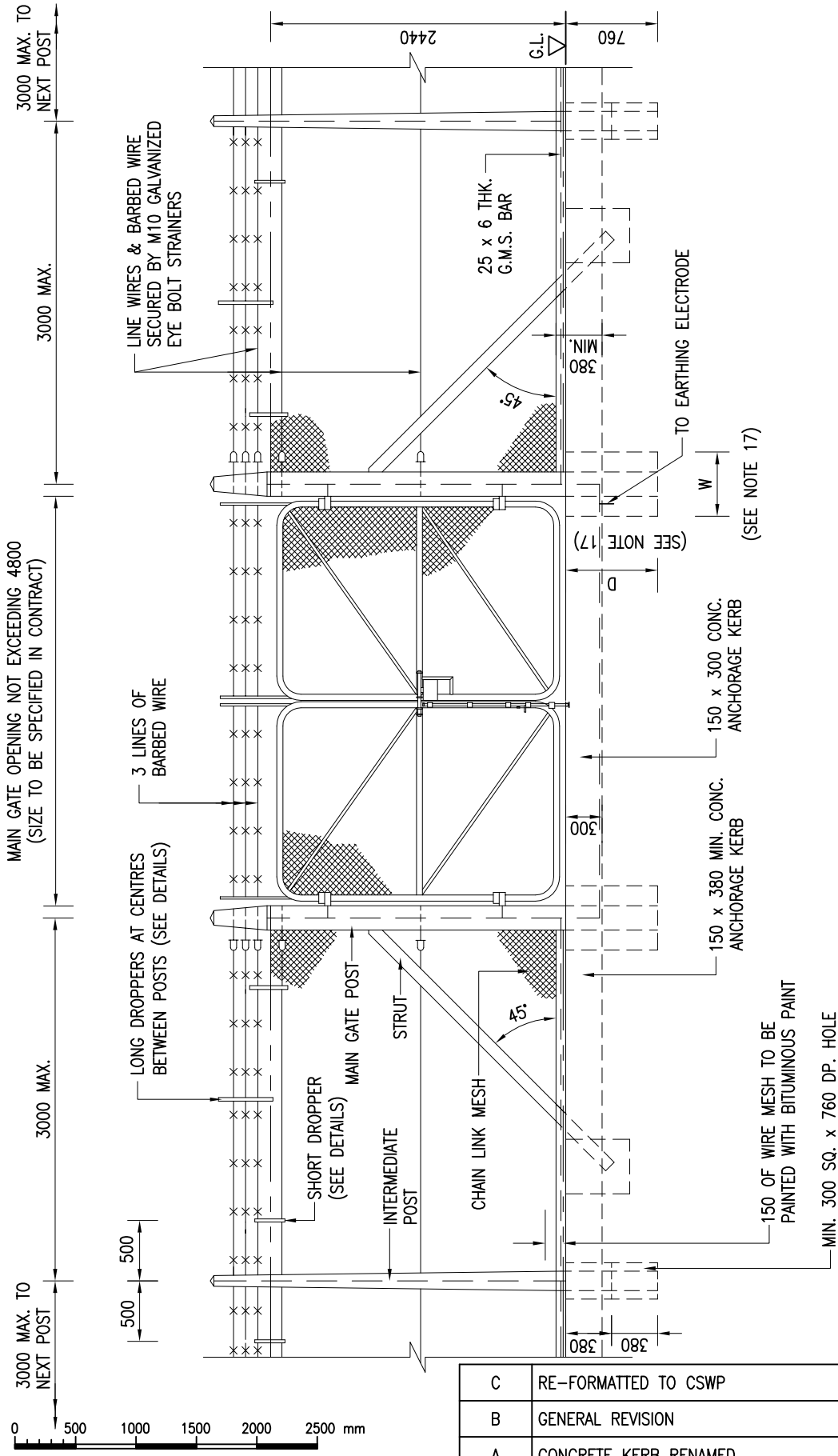


Cad Ref : WSD060101-D.dwg



**INSIDE ELEVATION  
(WITH MAIN GATE)**

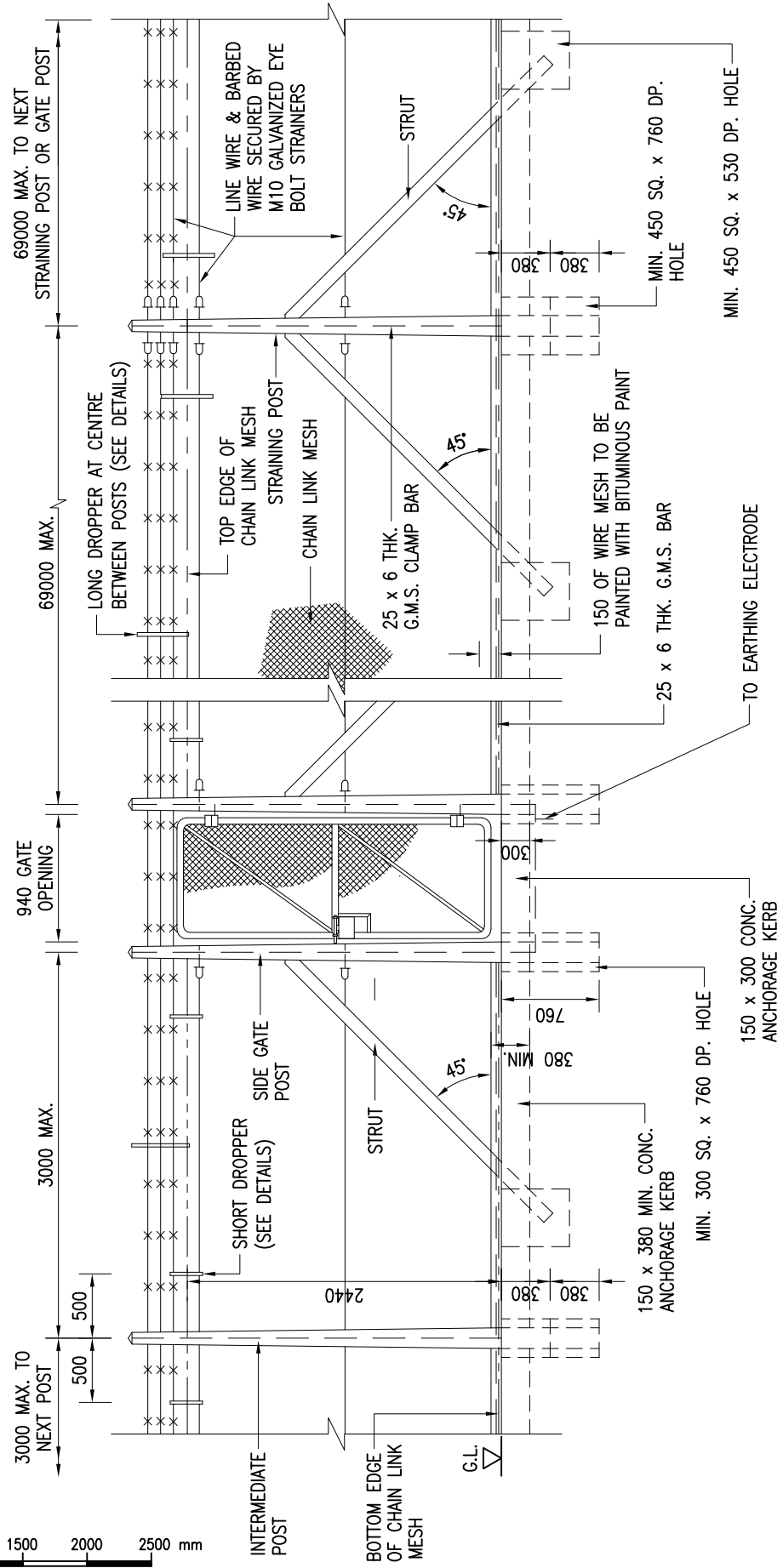
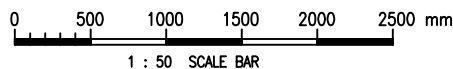
C	RE-FORMATTED TO CSWP	W.K. CHIU	14/11/03
B	GENERAL REVISION	W.K. CHIU	10/10/00
A	CONCRETE KERB RENAMED	K.W. CHAN	15/10/97

D	GENERAL REVISION	S.K. YEUNG	2/1/15
---	------------------	------------	--------

REF.	REVISION	APPROVED	DATE
------	----------	----------	------

**CHAIN LINK FENCE - TYPE I**

 <b>水務署</b> <b>Water Supplies Department</b>		DRAWING NO.	CSWP <b>WSD 6.1D</b> (SHEET 1 OF 9)
		APPROVED	
DATE	9/6/92		
SCALE	1 : 50		



**INSIDE ELEVATION  
(WITH SIDE GATE)**

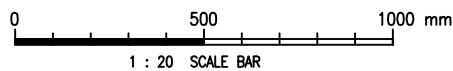
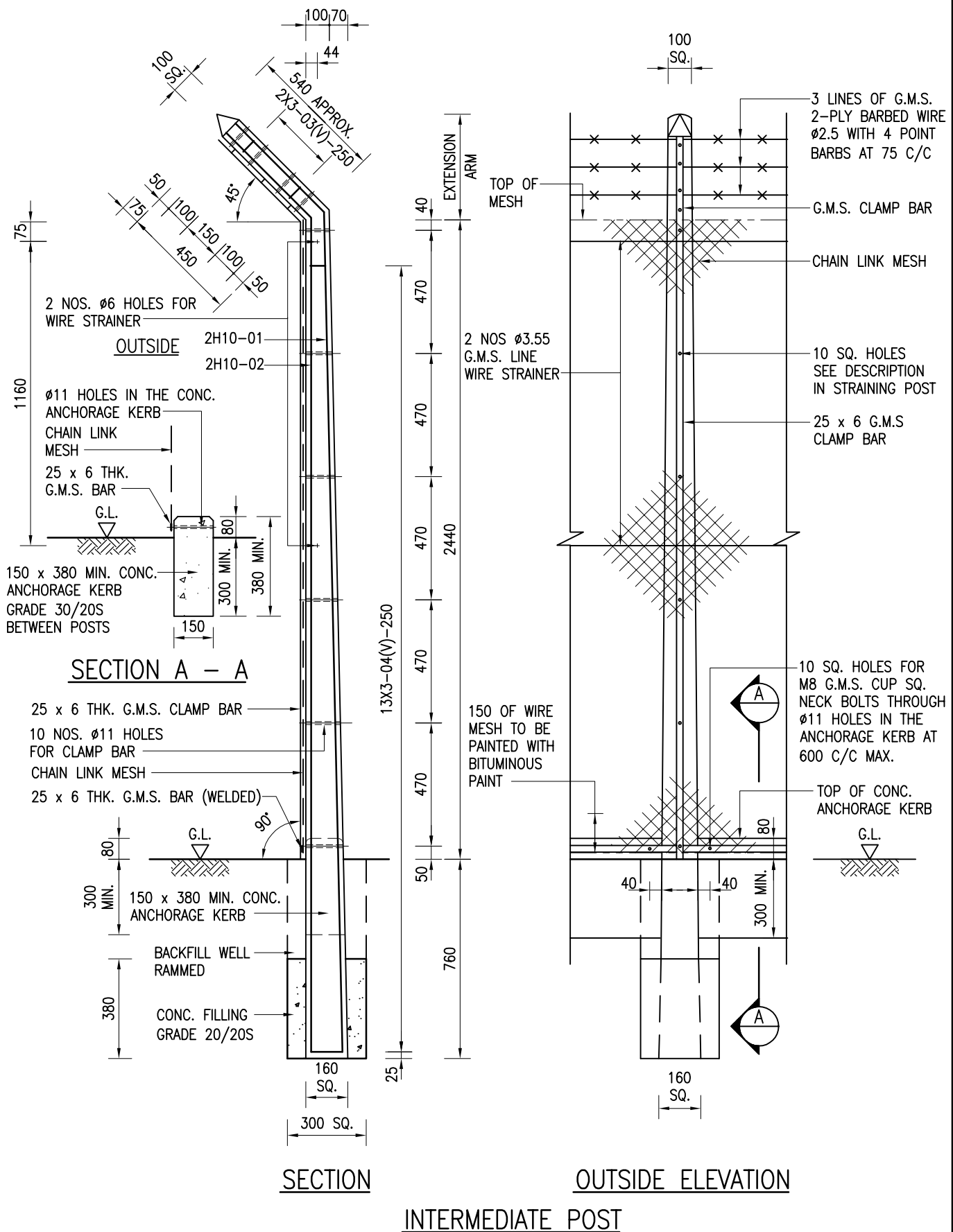
**CHAIN LINK FENCE - TYPE I**



**水務署  
Water Supplies Department**

APPROVED	G.C. LEE AD/NW
DATE	9/6/92
SCALE	1 : 50

DRAWING NO.	WSD 6.1D (SHEET 2 OF 9)
CSWP	



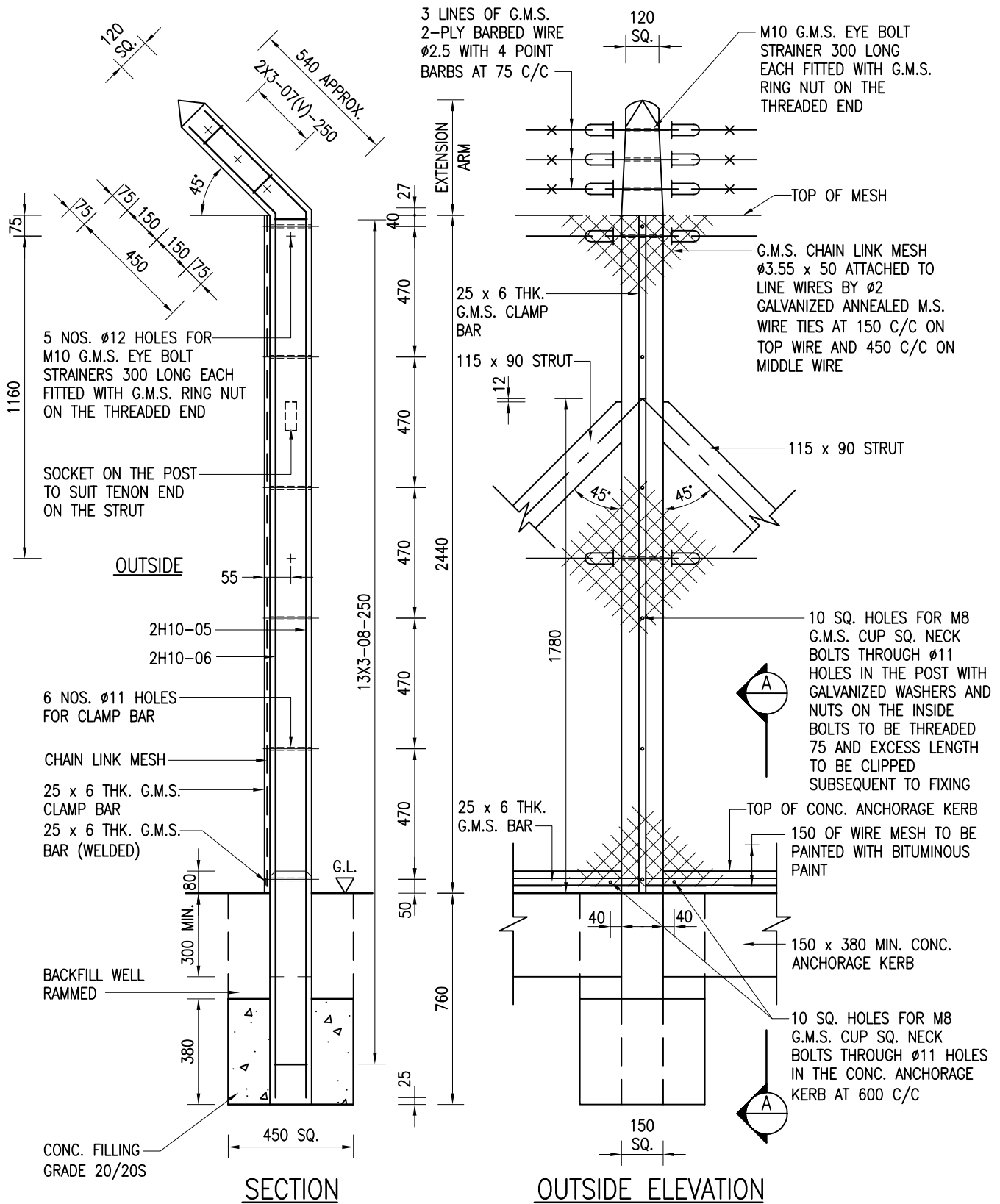
Cad Ref. : WSD060103-D.dwg

CHAIN LINK FENCE - TYPE I

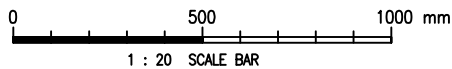


水務署  
Water Supplies Department

APPROVED	G.C. LEE AD/NW	DRAWING NO.	CSWP
DATE	9/6/92	WSD 6.1D (SHEET 3 OF 9)	
SCALE	1 : 20		



Cad Ref. : WSD060104-D.dwg



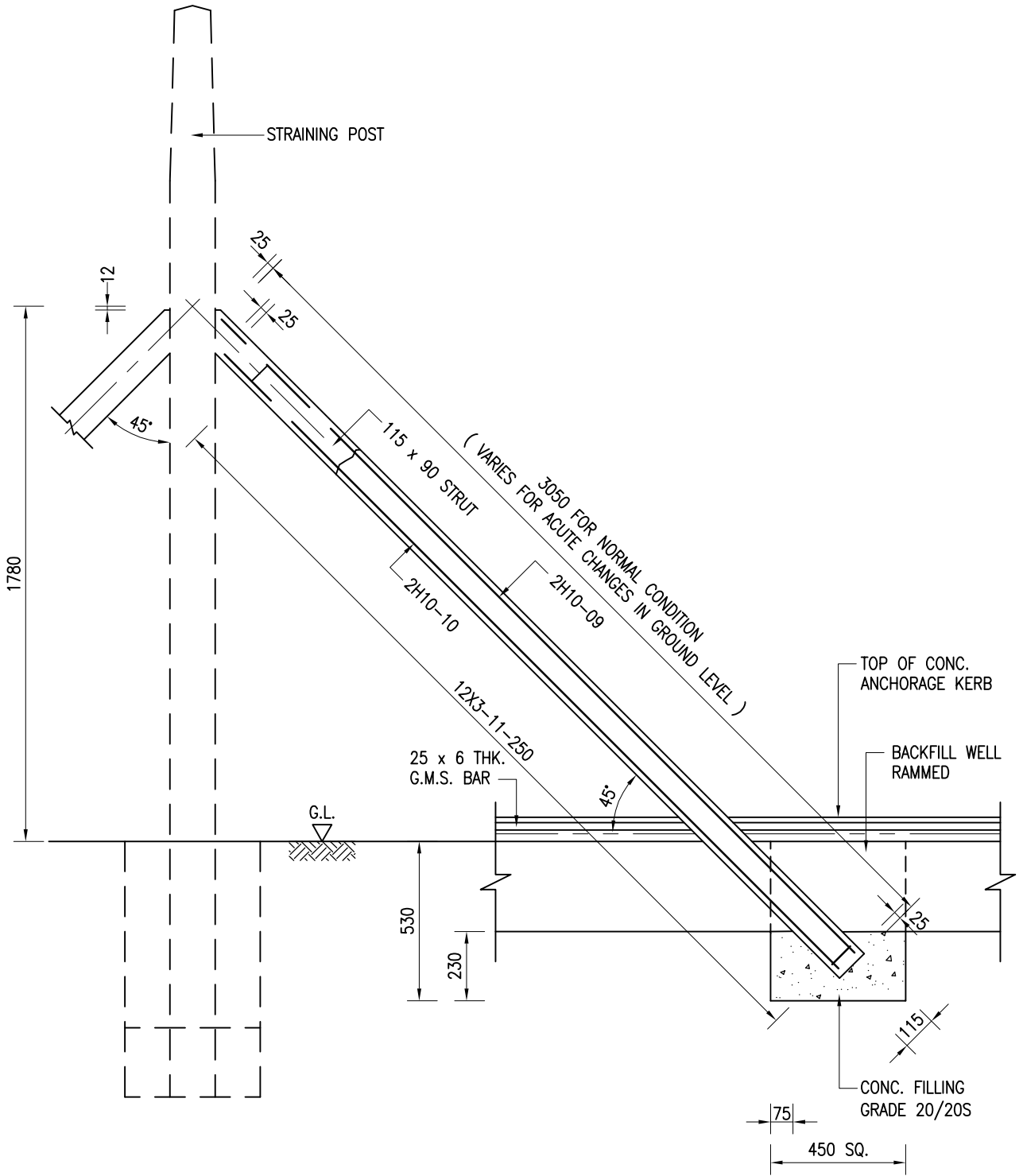
CHAIN LINK FENCE - TYPE I



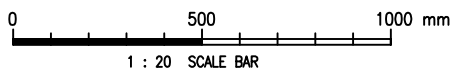
水務署  
Water Supplies Department

APPROVED	G.C. LEE AD/NW	DRAWING NO.	CSWP
DATE	9/6/92	WSD 6.1D (SHEET 4 OF 9)	
SCALE	1 : 20		

Cad Ref. : WSD060105-D.dwg



OUTSIDE ELEVATION  
STRUT

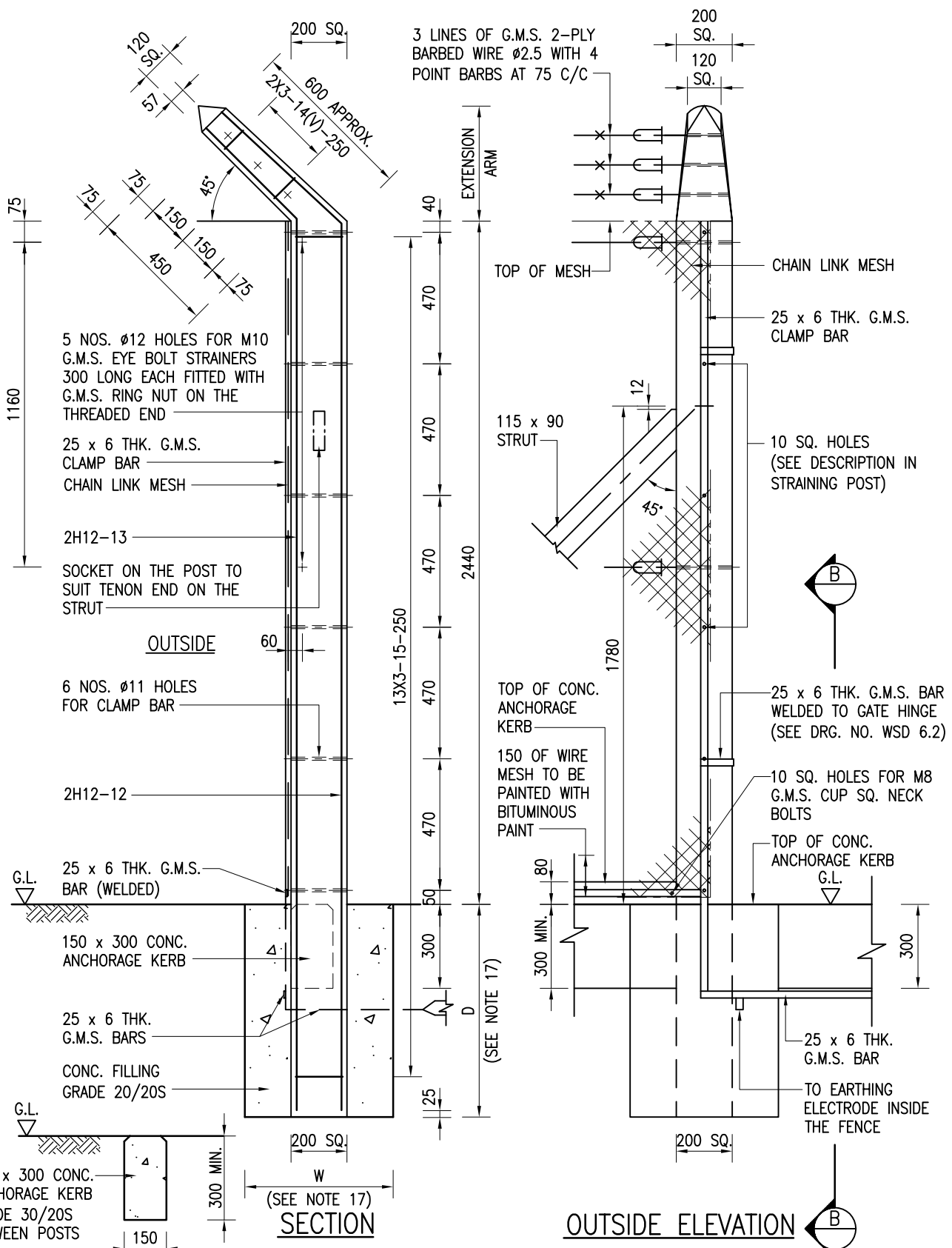


CHAIN LINK FENCE - TYPE I

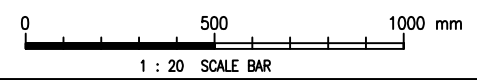



**水務署**  
**Water Supplies Department**

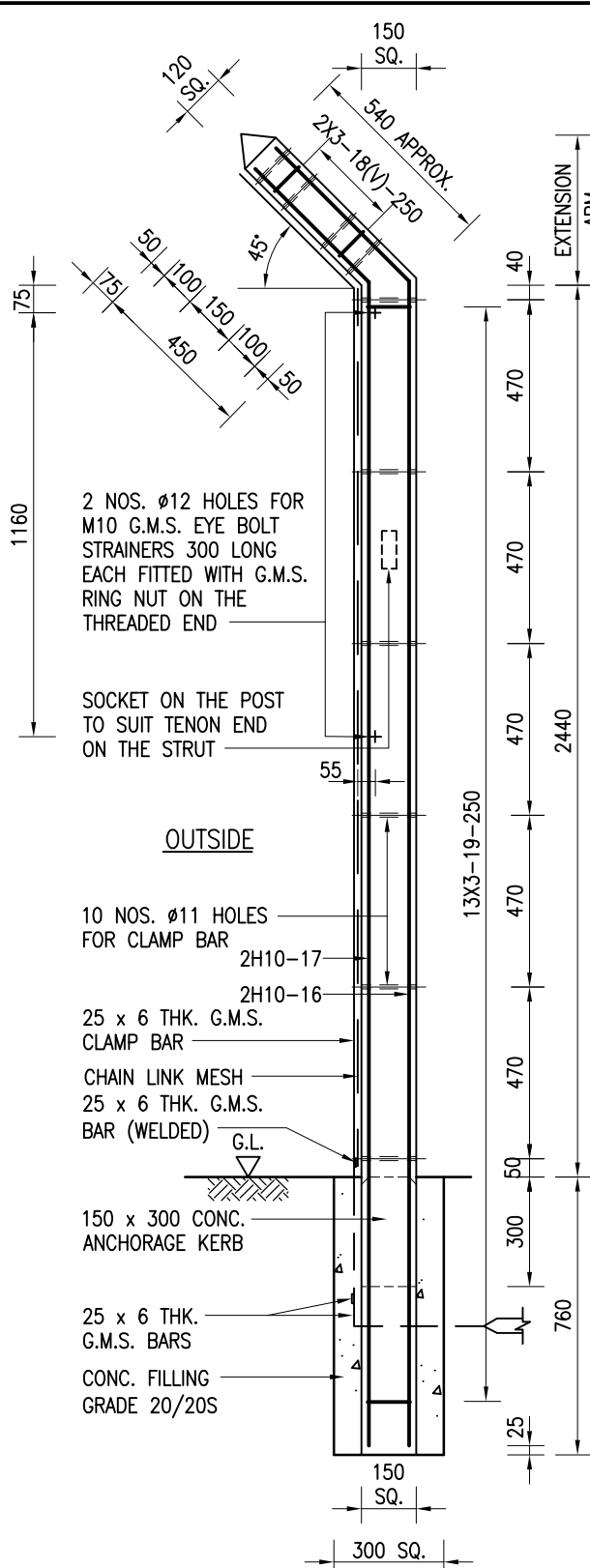
APPROVED	G.C. LEE AD/NW	DRAWING NO.	CSWP
DATE	9/6/92	WSD 6.1D (SHEET 5 OF 9)	
SCALE	1 : 20		



Cad Ref. : WSD060106-D.dwg



CHAIN LINK FENCE - TYPE I	 <b>水務署</b> <b>Water Supplies Department</b>		DRAWING NO. <span style="border: 1px solid black; padding: 2px;">CSWP</span> <b>WSD 6.1D</b> <b>(SHEET 6 OF 9)</b>
	APPROVED	G.C. LEE AD/NW	
	DATE	9/6/92	
	SCALE	1 : 20	



2 NOS.  $\phi 12$  HOLES FOR M10 G.M.S. EYE BOLT STRAINERS 300 LONG EACH FITTED WITH G.M.S. RING NUT ON THE THREADED END

SOCKET ON THE POST TO SUIT TENON END ON THE STRUT

OUTSIDE

10 NOS.  $\phi 11$  HOLES FOR CLAMP BAR

2H10-17

2H10-16

25 x 6 THK. G.M.S. CLAMP BAR

CHAIN LINK MESH

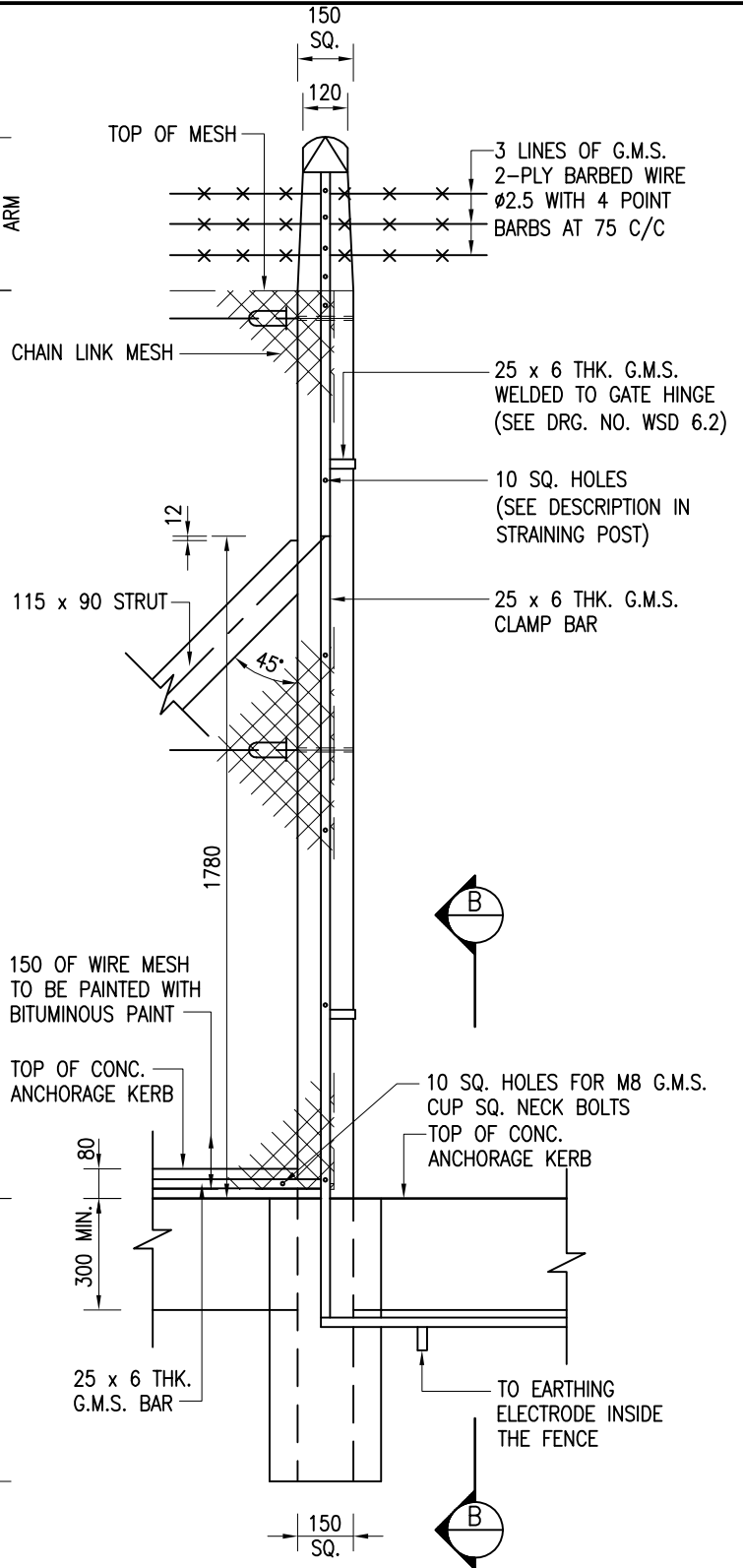
25 x 6 THK. G.M.S. BAR (WELDED)

G.L.

150 x 300 CONC. ANCHORAGE KERB

25 x 6 THK. G.M.S. BARS

CONC. FILLING GRADE 20/20S



3 LINES OF G.M.S. 2-PLY BARBED WIRE  $\phi 2.5$  WITH 4 POINT BARBS AT 75 C/C

25 x 6 THK. G.M.S. WELDED TO GATE HINGE (SEE DRG. NO. WSD 6.2)

10 SQ. HOLES (SEE DESCRIPTION IN STRAINING POST)

25 x 6 THK. G.M.S. CLAMP BAR

150 OF WIRE MESH TO BE PAINTED WITH BITUMINOUS PAINT

TOP OF CONC. ANCHORAGE KERB

10 SQ. HOLES FOR M8 G.M.S. CUP SQ. NECK BOLTS

TOP OF CONC. ANCHORAGE KERB

25 x 6 THK. G.M.S. BAR

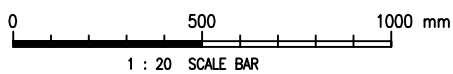
TO EARTHING ELECTRODE INSIDE THE FENCE

SECTION

OUTSIDE ELEVATION

SIDE GATE POST

(DETAILS OF GATE POST ON OTHER SIDE SIMILAR BUT RIGHT HANDED)



Cad Ref. : WSD060107-D.dwg

CHAIN LINK FENCE - TYPE I



水務署  
Water Supplies Department

APPROVED

G.C. LEE  
AD/NW

DATE

9/6/92

SCALE

1 : 20

DRAWING NO.

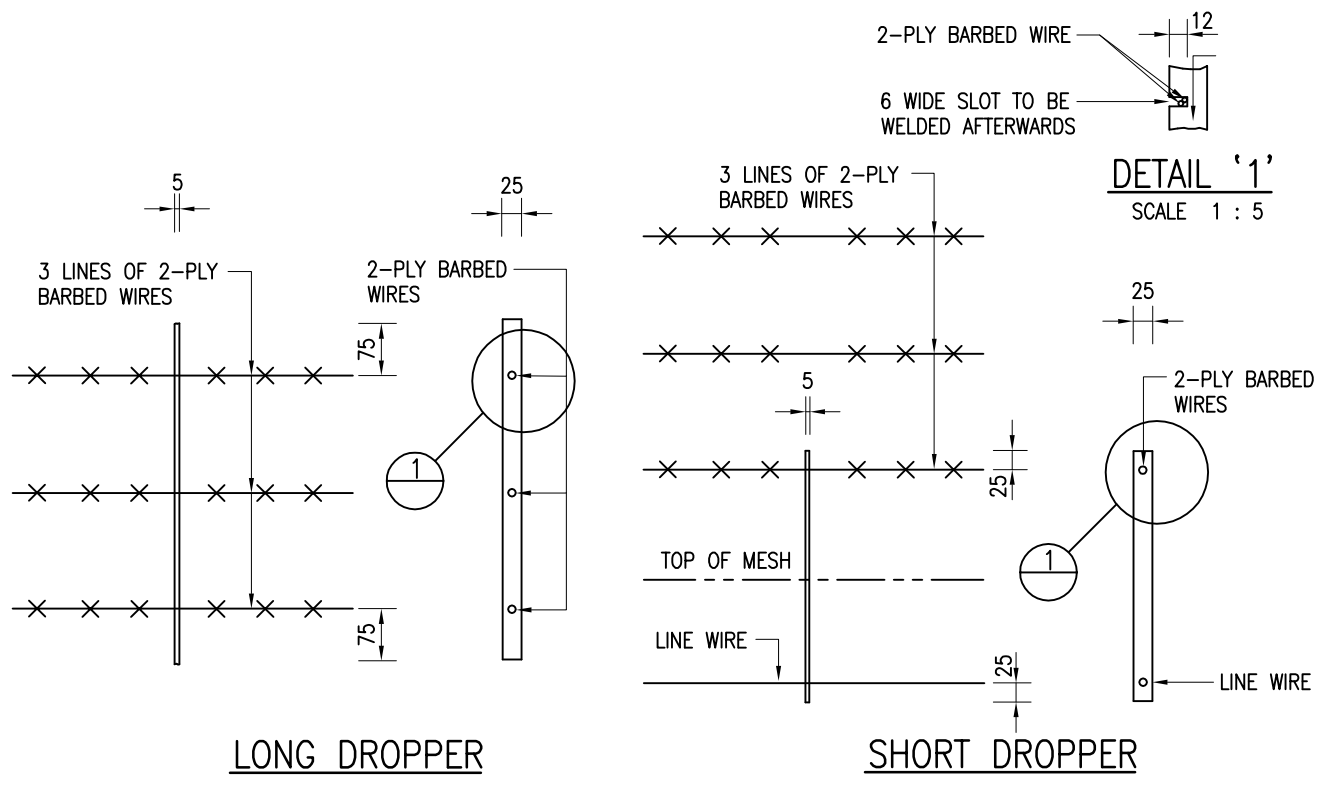
WSD 6.1D

(SHEET 7 OF 9)

CSWP







LONG DROPPER

SHORT DROPPER

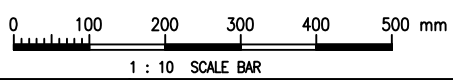
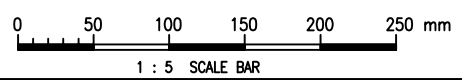
DETAILS OF G.M.S. DROPPERS

SCALE 1 : 10

NOTES :

1. ALL DIMENSIONS ARE IN MILLIMETRES.
2. UNLESS OTHERWISE SHOWN, MATERIALS FOR THE ERECTION OF CHAIN LINK FENCE SHALL BE IN ACCORDANCE WITH BS 1722 : PART 10.
3. STRAINING POSTS SHALL BE PROVIDED AT ALL ENDS AND CORNERS OF FENCE, AT CHANGES IN DIRECTION OR ACUTE CHANGES IN LEVEL, AND AT INTERVALS NOT EXCEEDING 69m IN STRAIGHT LENGTHS OF FENCE. THE ANGLE AT ANY CHANGE OF DIRECTION IN THE FENCE SHALL, WHEREVER POSSIBLE, BE NOT LESS THAN 130° TO AVOID PROVIDING FACILITIES FOR CLIMBING.
4. STRUTS SHALL BE FITTED TO ALL STRAINING POSTS IN THE DIRECTION OF THE LINE OF FENCE.
5. CONCRETE FOR PRECAST POSTS SHALL BE GRADE 40/10D.
6. NOMINAL COVER TO REINFORCEMENT SHALL BE 30mm UNLESS OTHERWISE SPECIFIED.
7. 12mm CHAMFER SHALL BE PROVIDED AT ARRISSES OF ALL PRECAST UNITS AND THE TOP OF CONCRETE ANCHORAGE KERB.
8. ALL HOLES IN POSTS SHALL BE FREE FROM OBSTRUCTIONS AND ACCURATELY POSITIONED.
9. OTHER THAN GALVANIZED MILD STEEL, STEELWORKS SHALL BE PAINTED WITH 2 COATS OF ZINC CHROMATE PRIMER AND 2 COATS OF FINISHING PAINT.
10. ONE NUMBER EARTHING ELECTRODE AS SHOWN ON DRAWING NO. WSD 6.7 SHALL BE INSTALLED FOR EVERY 40m OF CHAIN LINK FENCE. THE EXACT LOCATIONS WILL BE DETERMINED BY THE ENGINEER.
11. A 25 x 6 THK. G.M.S. CONNECTING BAR SHALL BE LAID AT A DEPTH NOT EXCEEDING 500mm BETWEEN THE CHAIN LINK FENCE AND THE ELECTRODE UP TO A MAXIMUM DISTANCE OF 5m.
12. THE 25 x 6 G.M.S. CLAMP BAR ALSO ACTS AS AN EARTHING CONDUCTOR.
13. FOR DETAILS OF GATES REFER TO DRAWING NO. WSD 6.2 AND WSD 6.3.
14. FOR DESCRIPTION OF REINFORCEMENT REFER TO DRAWING NO. WSD 7.1.
15. ALL WELDS SHALL BE 6mm FILLET WELD.
16. BITUMINOUS PAINT SHALL COMPLY WITH BS 6949.
17. DIMENSIONS OF W AND D ARE AS FOLLOWS :

W	D	MAIN GATE OPENING SIZE
530 SQ. MIN.	760 MIN.	UP TO 3500
750 SQ. MIN.	850 MIN.	EXCEEDING 3500 BUT NOT EXCEEDING 4800



Cad Ref. : WSD060109-D.dwg

CHAIN LINK FENCE - TYPE I



水務署  
Water Supplies Department

APPROVED	G.C. LEE AD/NW	DRAWING NO.	CSWP
DATE	9/6/92	WSD 6.1D	
SCALE	1 : 10 OR AS SHOWN	(SHEET 9 OF 9)	