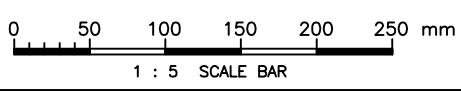



Cad Ref. : WSD051001-C.dwg



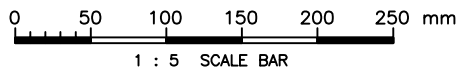
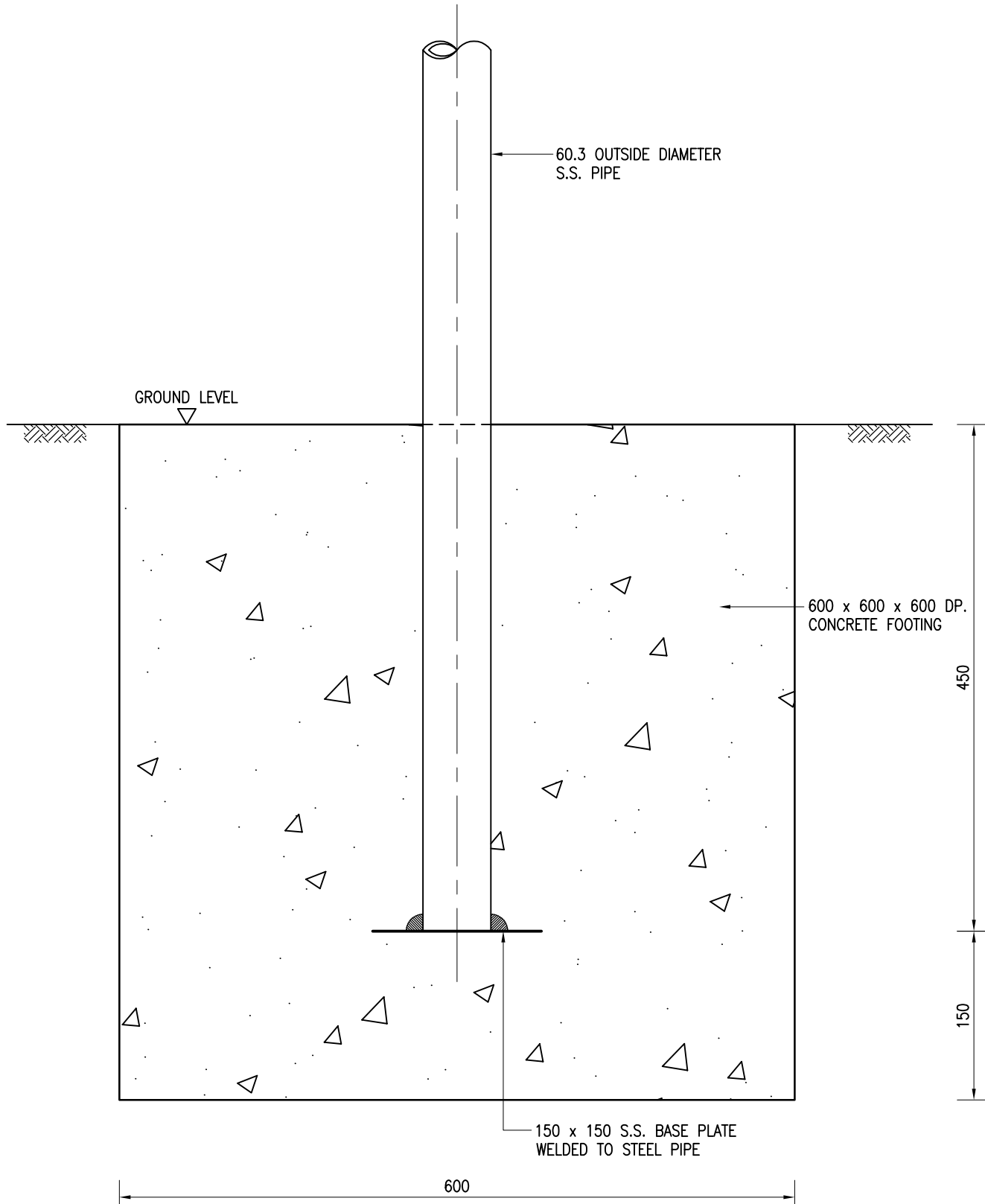
ELEVATION

C	GENERAL REVISION	K.H. HO	11/3/21
B	RE-FORMATTED TO CSWP	W.K. CHIU	14/11/03
A	GENERAL REVISION	W.K. CHIU	10/10/00
REF.	REVISION	APPROVED	DATE

“NO-ENTRY” SIGNBOARD FOR ACCESS ROAD

 水務署 Water Supplies Department		DRAWING NO. WSD 5.10C (SHEET 1 OF 3)	CSWP
APPROVED	K.P. MOK AD/NW		
DATE	10/6/96		
SCALE	1 : 5		

Cad Ref. : WSD051002-C.dwg



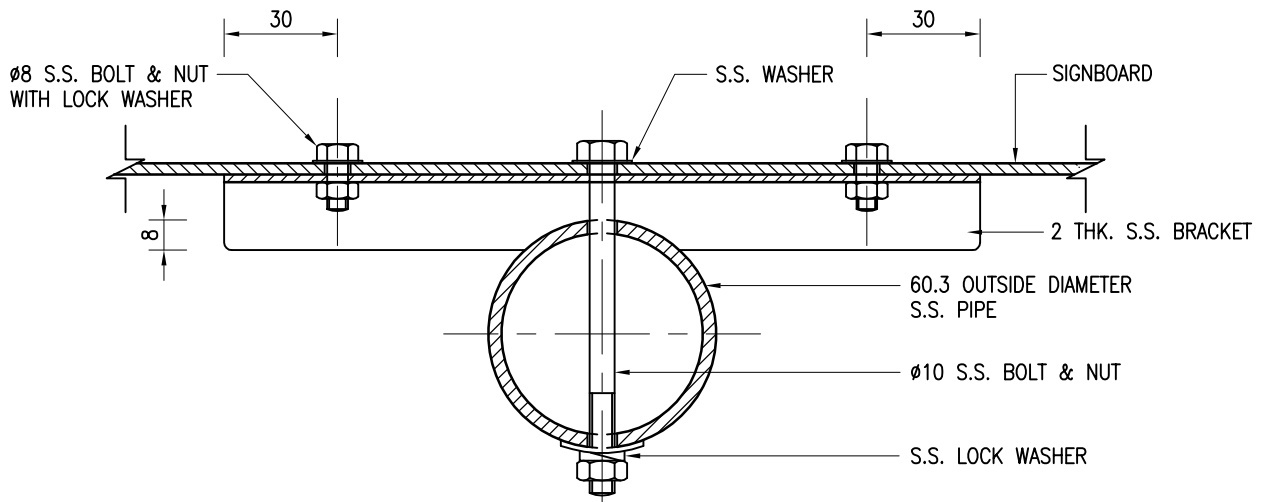
CONCRETE FOOTING

“NO ENTRY” SIGNBOARD FOR
ACCESS ROAD

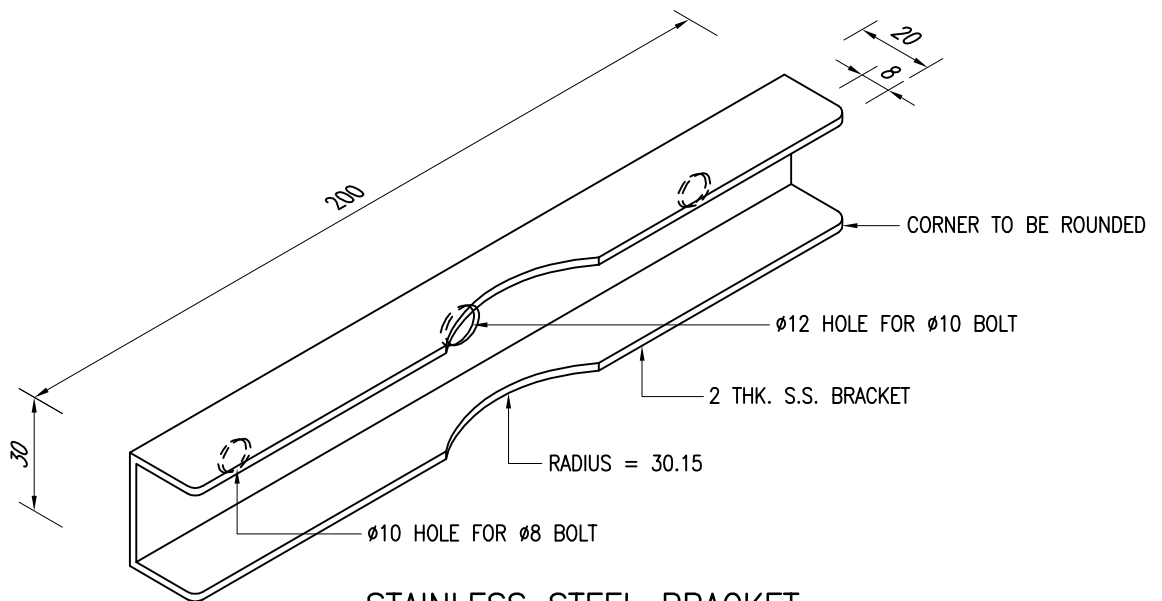


水務署
Water Supplies Department

APPROVED	K.P. MOK AD/NW	DRAWING NO.	CSWP
DATE	10/6/96	WSD 5.10C (SHEET 2 OF 3)	
SCALE	1 : 5		



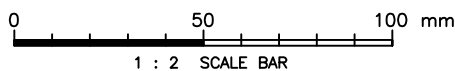
FIXING DETAILS FOR SIGNBOARD



STAINLESS STEEL BRACKET

NOTES :

1. ALL DIMENSIONS ARE IN MILLIMETRES.
2. SIGNBOARD AND BASE PLATE SHALL BE MADE OF 3mm THICK STAINLESS STEEL COMPLYING WITH BS 1449 : PART 2 GRADE 304 S 15, UNLESS OTHERWISE SPECIFIED.
3. STAINLESS STEEL PIPE SHALL BE 3.6mm THICK AND COMPLY WITH BS 6323 : PART 1 AND 8, DESIGNATION LW21 GZF (S), UNLESS OTHERWISE SPECIFIED.
4. STAINLESS STEEL BOLTS AND NUTS AND BRACKETS SHALL COMPLY WITH BS 6105, GRADE A4 AND PROPERTY CLASS 80. STAINLESS STEEL WASHERS SHALL COMPLY WITH BS 1449 : PART 2, GRADE 304 S 15 IN THE SOFTENED CONDITION.
5. STAINLESS STEEL PLATES AND TUBES SHALL BE POLISHED.
6. ALL LETTERINGS AND CHINESE CHARACTERS SHALL BE PAINTED BLACK (00 E 53) OF BS 5252F UNLESS OTHERWISE SPECIFIED.
7. WSD LOGO SHALL BE PAINTED ULTRA MARINE BLUE, i.e. PANTONE COLOUR 293C (APPROXIMATE TO CODE 20 E 53 OF BS 5252F). FOR DETAILS REFER TO DRG. NO. WSD 7.17 (SHEET 1 OF 3).
8. THE LAYOUT OF THE LETTERINGS AND CHINESE CHARACTERS SHALL CONFORM TO THAT SHOWN ON THE DRAWING AS FAR AS POSSIBLE AND SUBJECT TO THE APPROVAL OF THE ENGINEER.
9. THE WSD LOGO, ALL LETTERINGS AND CHINESE CHARACTERS SHALL BE INCISED 1mm DEEP. FOR DETAILS REFER TO DRG. NO. WSD 7.17 (SHEET 3 OF 3).
10. CONCRETE FOR FOOTING SHALL BE GRADE 20/20S.



Cad Ref. : WSD051003-C.dwg

“NO ENTRY” SIGNBOARD FOR ACCESS ROAD



水務署
Water Supplies Department

APPROVED

K.P. MOK
AD/NW

DATE

10/6/96

SCALE

1 : 2

DRAWING NO.

WSD 5.10C
(SHEET 3 OF 3)

CSWP