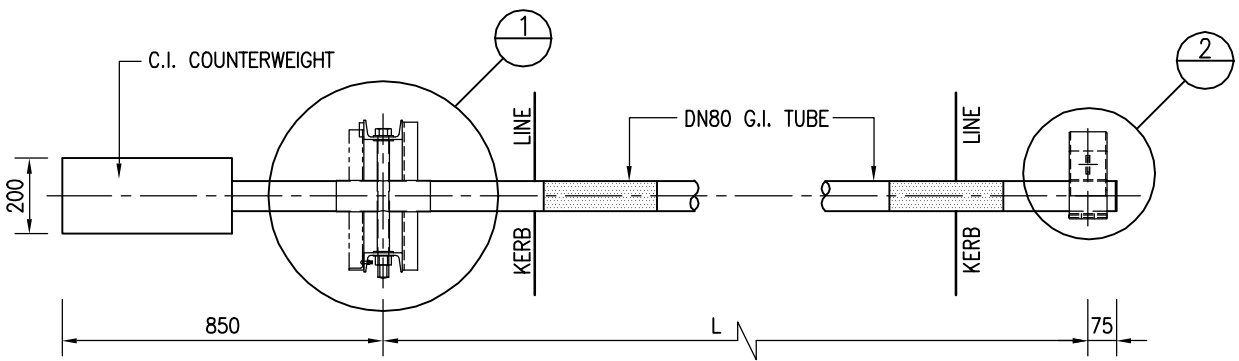
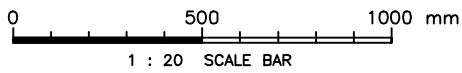


ELEVATION



PLAN



Cad Ref. : WSD050901-B.dwg

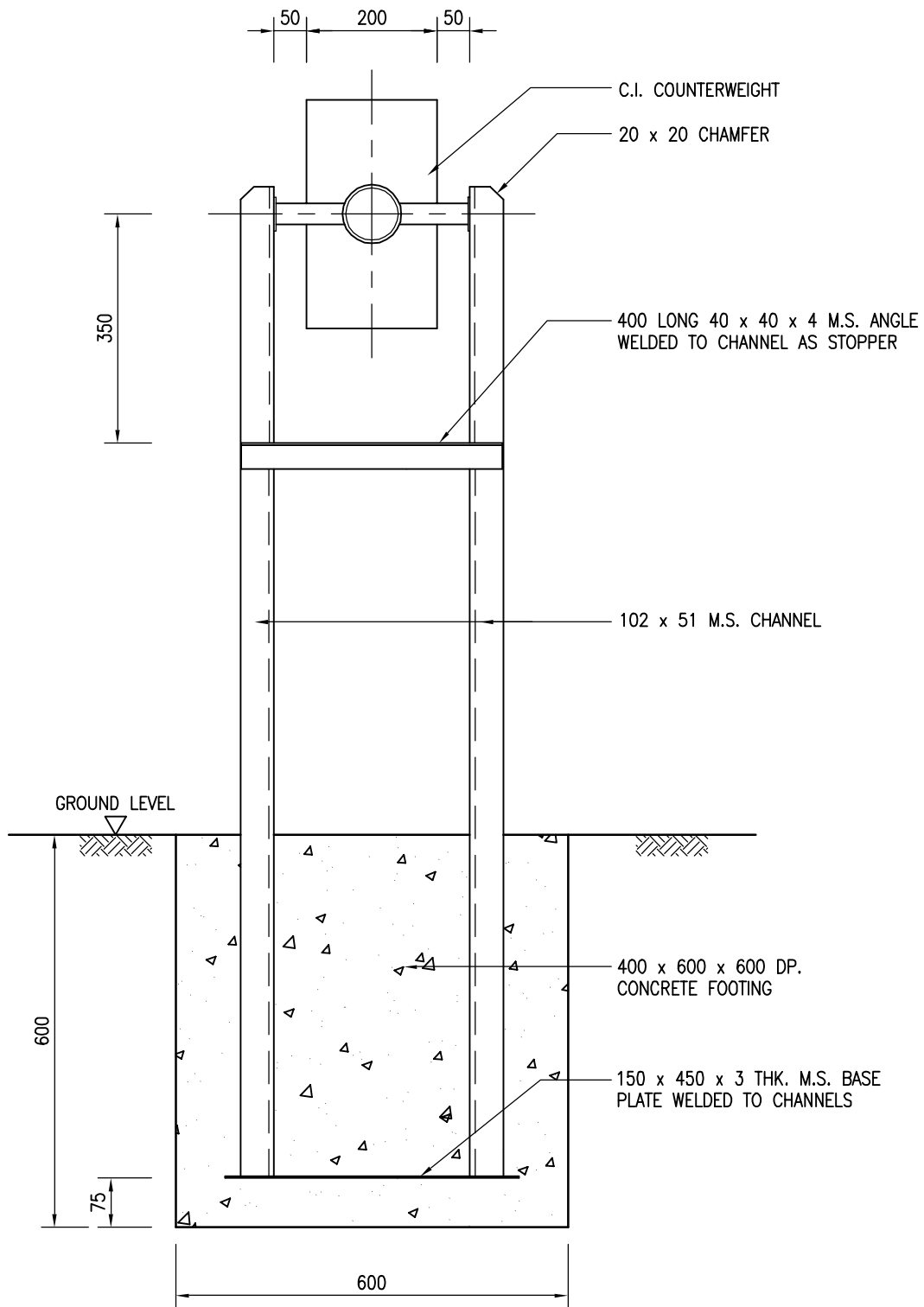
B	RE-FORMATTED TO CSWP	W.K. CHIU	14/11/03
A	GENERAL REVISION	W.K. CHIU	10/10/00
REF.	REVISION	APPROVED	DATE

DROP BARRIER GATE

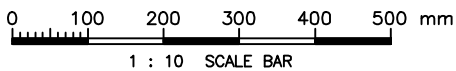


水務署
Water Supplies Department

APPROVED	K.P. MOK AD/NW	DRAWING NO. WSD 5.9B (SHEET 1 OF 5)	CSWP
DATE	17/3/94		
SCALE	1 : 20		



SECTION A - A



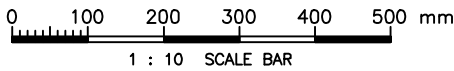
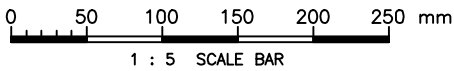
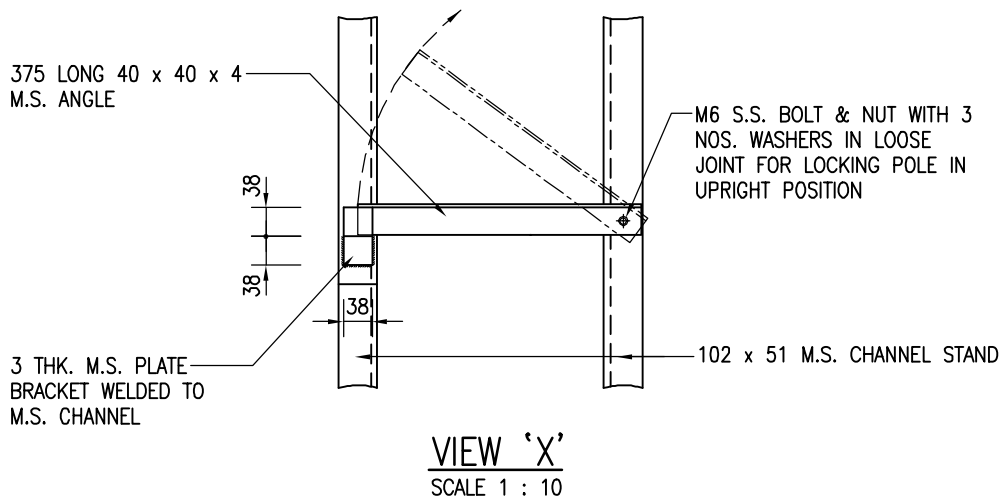
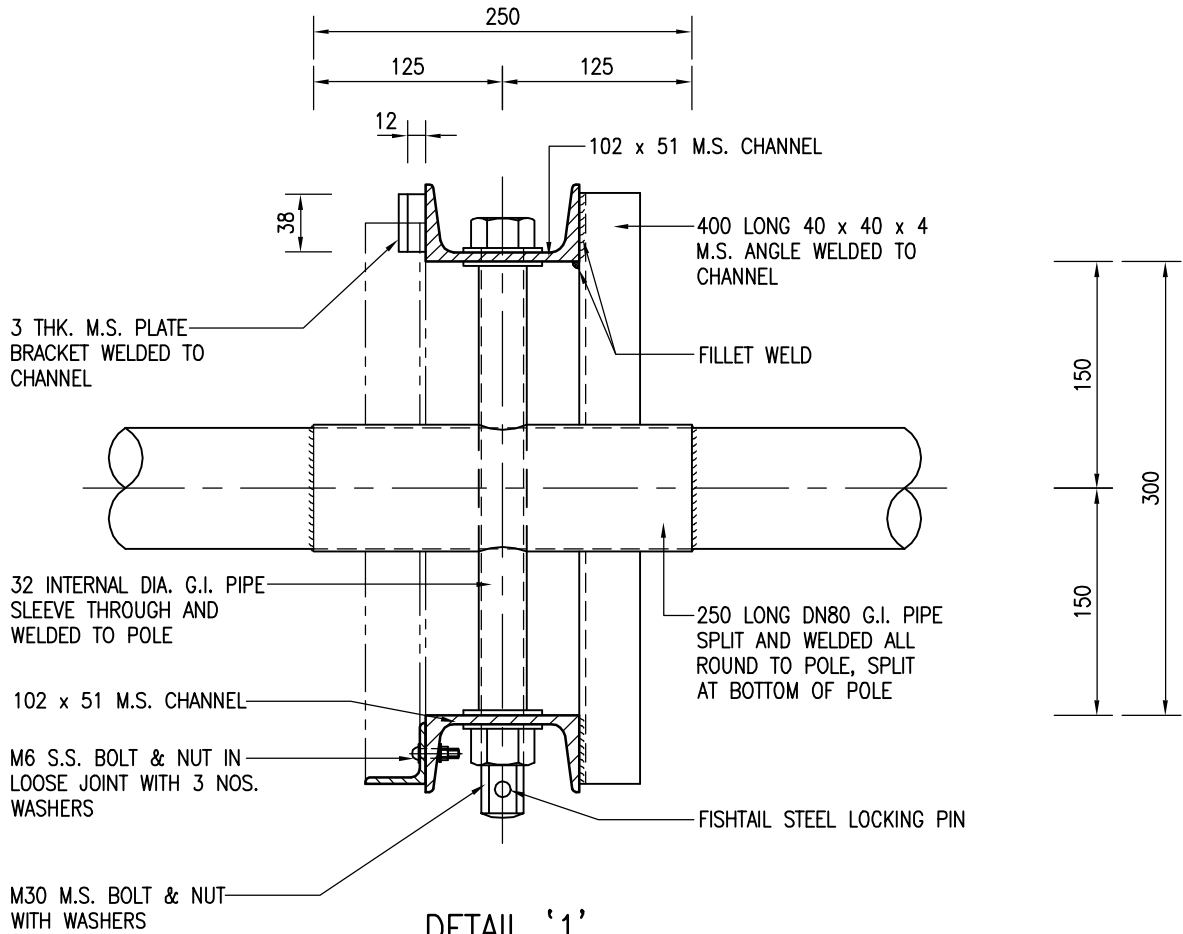
Cad Ref. : WSD050902-B.dwg

DROP BARRIER GATE



水務署
Water Supplies Department

APPROVED	K.P. MOK AD/NW	DRAWING NO. WSD 5.9B (SHEET 2 OF 5)	CSWP
DATE	17/3/94		
SCALE	1 : 10		



Cad Ref. : WSD050903-B.dwg

DROP BARRIER GATE



水務署
Water Supplies Department

APPROVED

K.P. MOK
AD/NW

DATE

17/3/94

SCALE

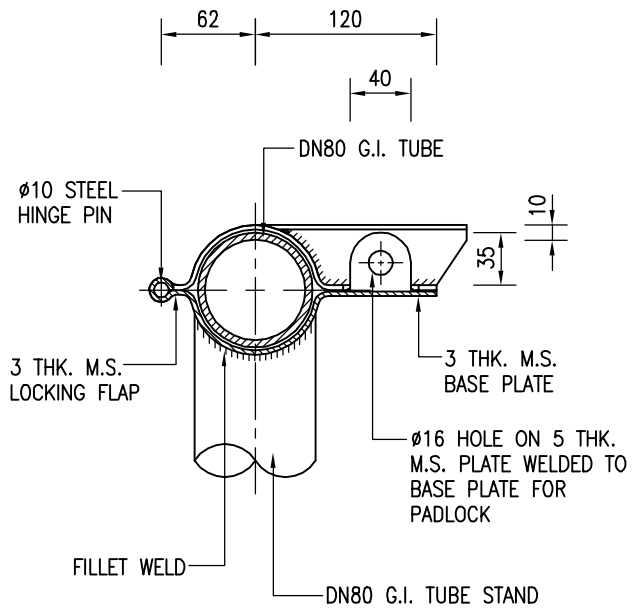
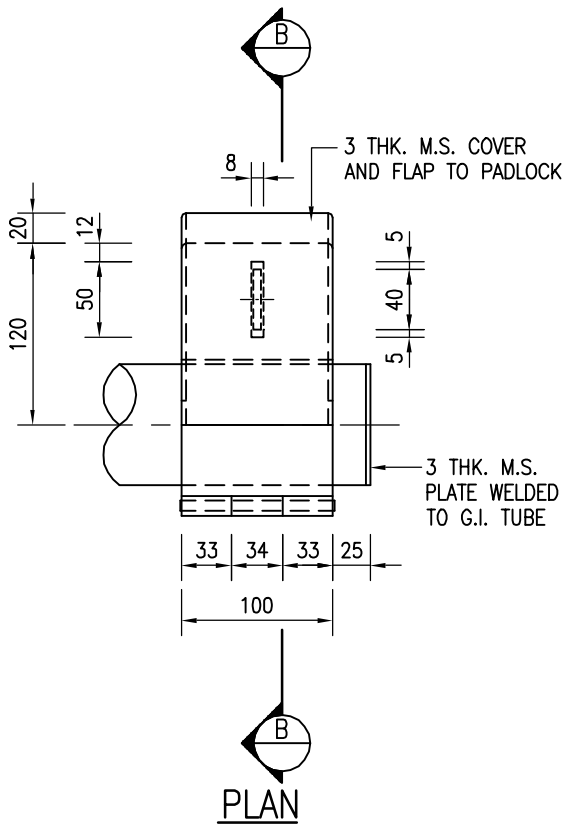
1 : 5 OR AS SHOWN

DRAWING NO.

WSD 5.9B

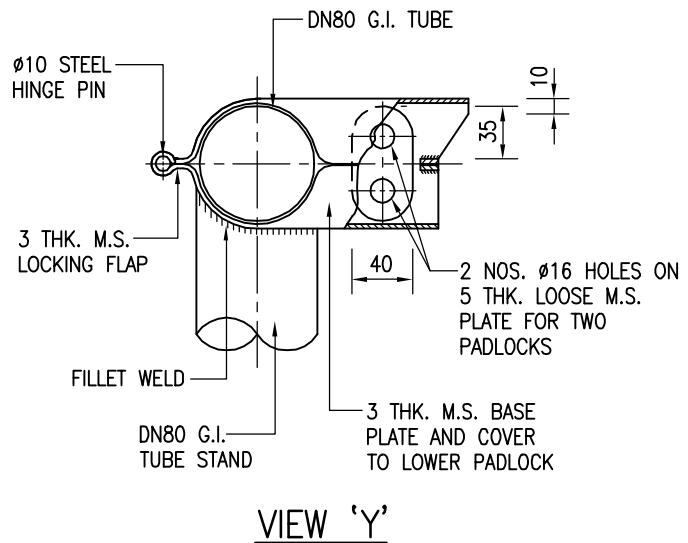
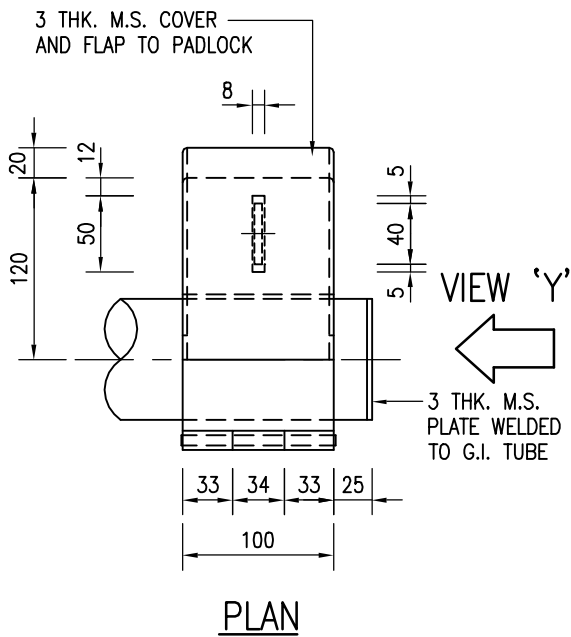
(SHEET 3 OF 5)

CSWP



SECTION B - B

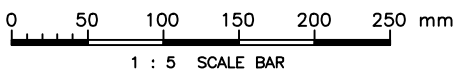
SINGLE LOCKING SYSTEM



DOUBLE LOCKING SYSTEM

NOTE : THE PADLOCKS ARE SEPARATELY CONTROLLED BY TWO PARTIES, EITHER PARTY CAN OPEN THE DROP BARRIER GATE WITHOUT REMOVING THE PADLOCK CONTROLLED BY THE OTHER PARTY.

DETAIL '2'



DROP BARRIER GATE



水務署
Water Supplies Department

APPROVED

K.P. MOK
AD/NW

DATE

17/3/94

SCALE

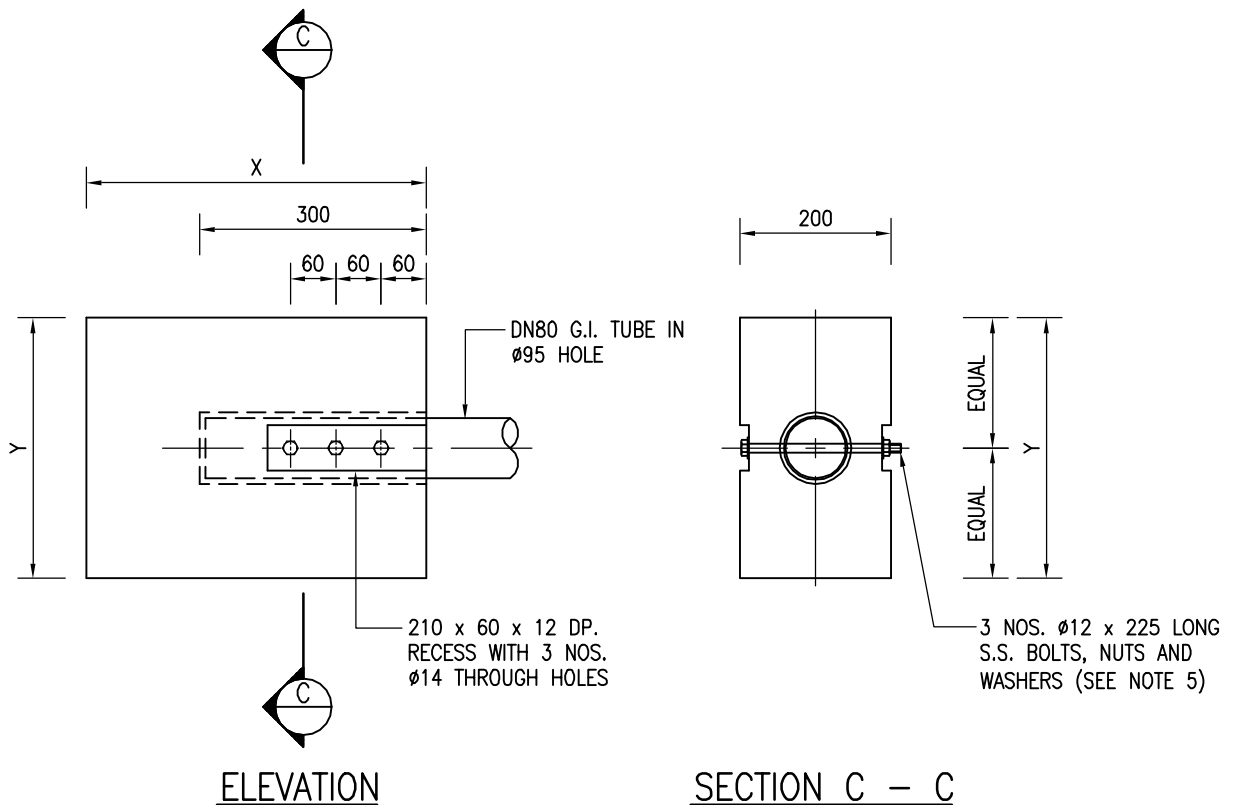
1 : 5

DRAWING NO.

WSD 5.9B

(SHEET 4 OF 5)

CSWP



C.I. COUNTERWEIGHT

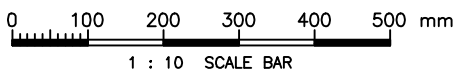
SCALE 1 : 10

DROP BARRIER GATE TYPE	LENGTH (L)	COUNTERWEIGHT DIMENSION		
		X	Y	APPROX. WEIGHT IN Kg
I	3500	300	200	71
II	4000	300	250	92
III	4500	400	250	127
IV	5000	400	300	156
V	5500	450	350	209

SCHEDULE OF C.I. COUNTERWEIGHT

NOTES :

1. ALL DIMENSIONS ARE IN MILLIMETRES.
2. GRADE OF CONCRETE FOR FOUNDATION SHALL BE 20/20.
3. ALL STEELWORKS AND C.I. WORKS SHALL BE PAINTED BLACK UNLESS SPECIFIED OTHERWISE.
4. ALL WELDS SHALL BE 4mm FILLET WELD.
5. A MINIMUM OF 2 BOLTS MUST BE USED FOR FIXING THE C.I. COUNTERWEIGHT ONTO THE ARM. THE DISTANCE FROM HINGE CAN BE VARIED BY ± 60 mm TO SUIT ACTUAL LENGTH OF THE BARRIER SUCH THAT THE BARRIER WILL REMAIN IN A HORIZONTAL POSITION WHEN THE M.S. LOCKING FLAP IS OPENED.
6. THE LOCKING SYSTEM USED FOR THE DROP BARRIER GATE SHALL BE SPECIFIED IN DRAWING OR AS DIRECTED.



Cad Ref. : WSD050905-B.dwg

DROP BARRIER GATE



水務署
Water Supplies Department

APPROVED

K.P. MOK
AD/NW

DRAWING NO.

CSWP

DATE

17/3/94

WSD 5.9B

SCALE

1 : 10

(SHEET 5 OF 5)