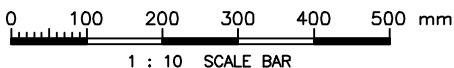


GENERAL DETAIL - FOOTWAY



B	RE-FORMATTED TO CSWP	W.K. CHIU	14/11/03
A	GENERAL REVISION	W.K. CHIU	26/6/00
REF.	REVISION	APPROVED	DATE

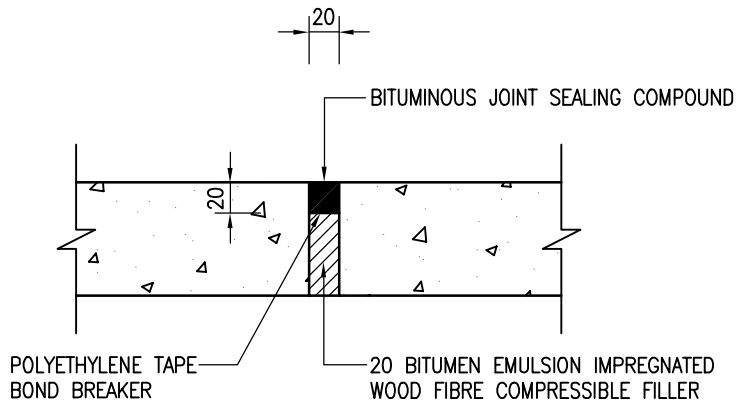
Cad Ref. : WSD050801-B.dwg

TYPICAL SECTIONS AND JOINT
DETAILS OF CONCRETE FOOTWAY

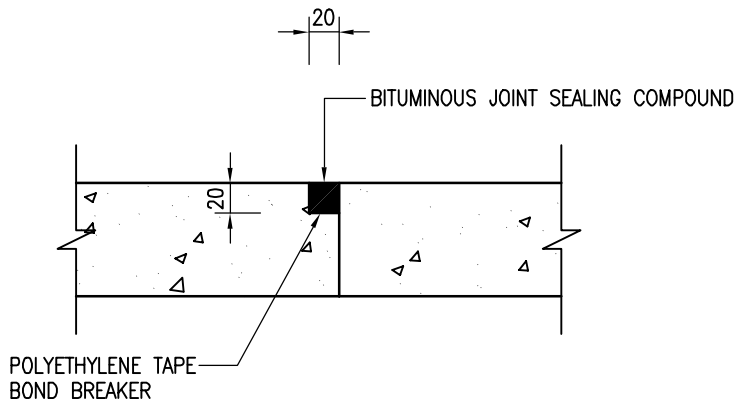


水務署
Water Supplies Department

APPROVED	G.C. LEE AD/NW	DRAWING NO. WSD 5.8B (SHEET 1 OF 2)	CSWP
DATE	9/6/92		
SCALE	1 : 10		



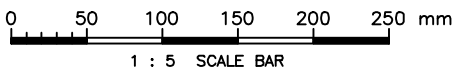
EXPANSION JOINT



CONTRACTION JOINT

NOTES :

1. ALL DIMENSIONS ARE IN MILLIMETRES.
2. THE CONCRETE SURFACE SHALL BE BRUSHED FINISH.
3. CONCRETE FOOTWAYS AND PAVED AREAS SHALL BE LAID IN BAYS NOT EXCEEDING 20m² WITH MAXIMUM SPACING OF JOINTS NOT EXCEEDING 15m, EVERY THIRD JOINT TO BE AN EXPANSION JOINT.
4. FOOTWAY JOINTS SHALL COINCIDE WITH OTHER JOINTS FORMED IN THE KERB AND CARRIAGEWAYS.



Cad Ref. : WSD050802-B.dwg

TYPICAL SECTIONS AND JOINT
DETAILS OF CONCRETE FOOTWAY



水務署
Water Supplies Department

APPROVED	G.C. LEE AD/NW	DRAWING NO. WSD 5.8B (SHEET 2 OF 2)	CSWP
DATE	9/6/92		
SCALE	1 : 5		