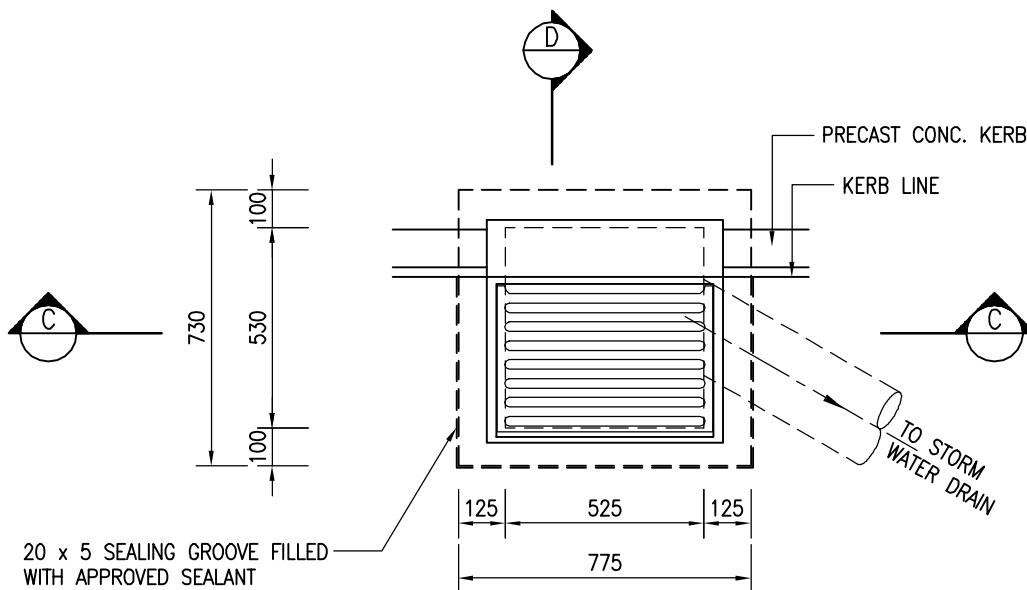
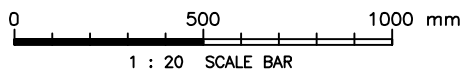


PLAN
FLEXIBLE PAVEMENT



PLAN
RIGID PAVEMENT



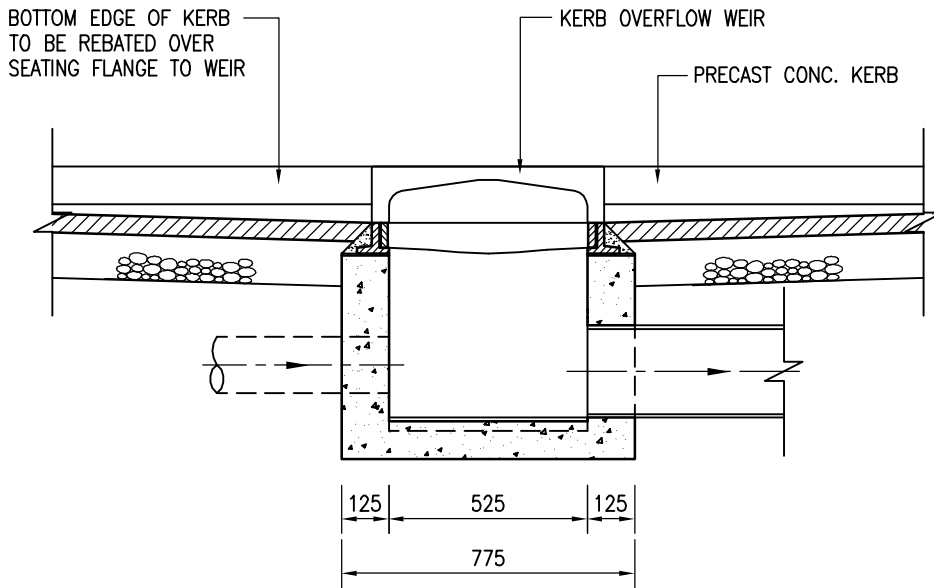
B	RE-FORMATTED TO CSWP	W.K. CHIU	14/11/03
A	TITLE BLOCK REVISED	W.K. CHIU	26/6/00
REF.	REVISION	APPROVED	DATE

ROAD GULLY

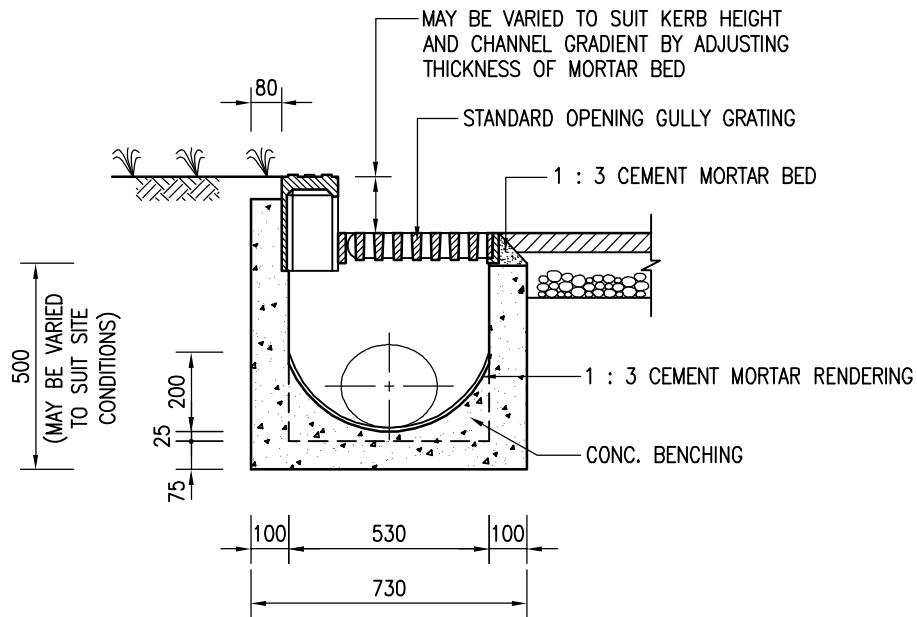


水務署
Water Supplies Department

APPROVED	G.C. LEE AD/NW	DRAWING NO. WSD 5.5B (SHEET 1 OF 3)	CSWP
DATE	9/6/92		
SCALE	1 : 20		

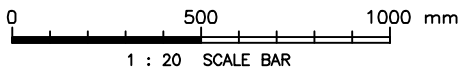


SECTION A - A



SECTION B - B

FLEXIBLE PAVEMENT



Cad Ref. : WSD050502-B.dwg

ROAD GULLY



水務署
Water Supplies Department

APPROVED

G.C. LEE
AD/NW

DATE

9/6/92

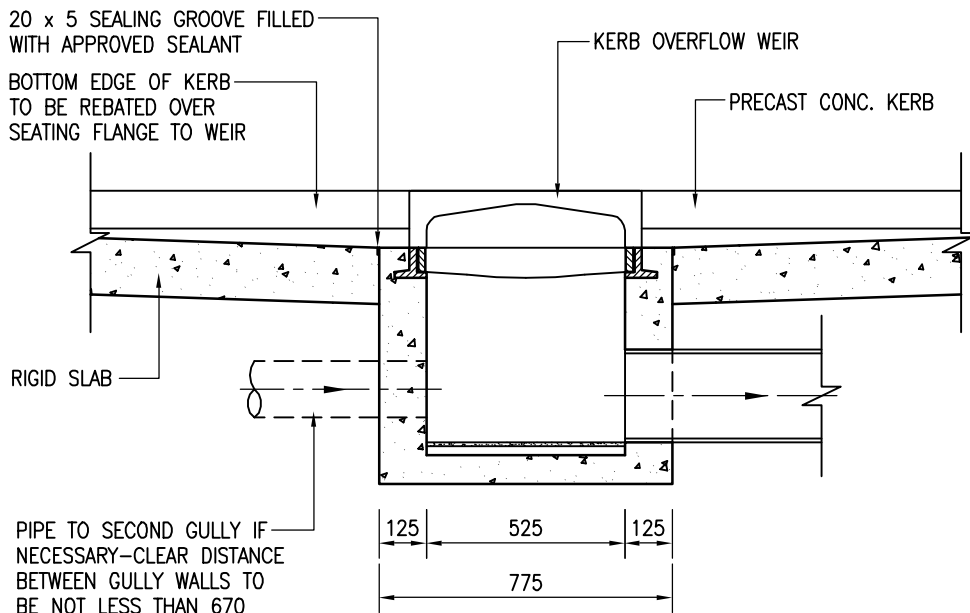
SCALE

1 : 20

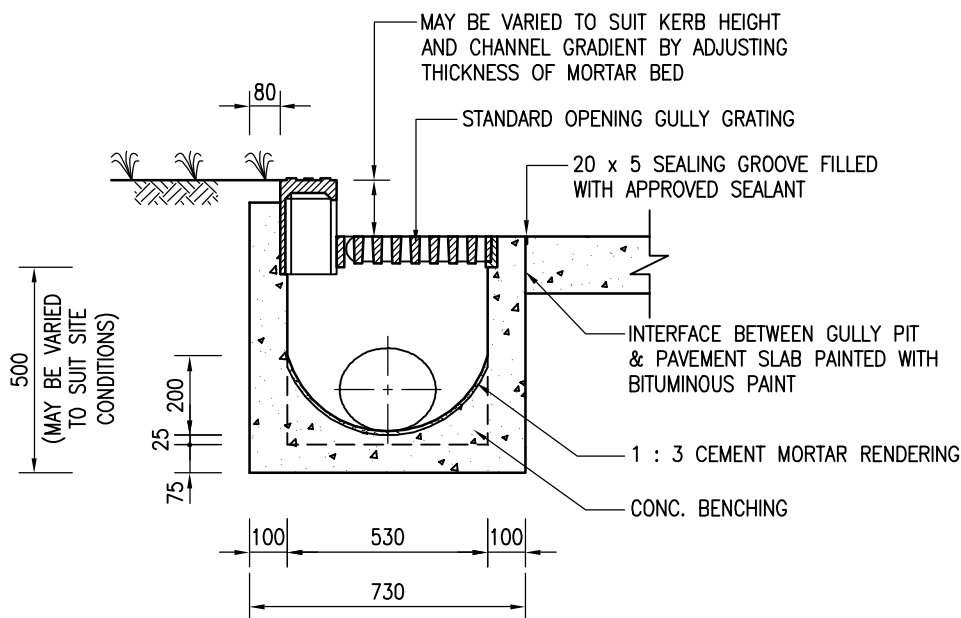
DRAWING NO.

WSD 5.5B
(SHEET 2 OF 3)

CSWP



SECTION C - C

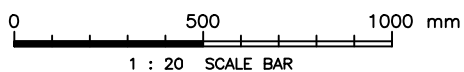


SECTION D - D

RIGID PAVEMENT

NOTES :

1. ALL DIMENSIONS ARE IN MILLIMETRES.
2. GRADE OF CONCRETE SHALL BE 20/20S.
3. TRANSVERSE JOINTS IN PAVEMENT SLABS MAY BE LOCATED TO MEET FRONT FACE OF GULLY PIT BUT MUST OTHERWISE BE LOCATED AT LEAST 2m AWAY FROM A SIDE FACE.
4. PAVEMENT SLABS SHALL BE PROVIDED WITH TRIMMING BAR REINFORCEMENT ACROSS CORNERS OF GULLY PITS AS SHOWN ELSEWHERE.



Cad Ref. : WSD050503-B.dwg

ROAD GULLY



水務署
Water Supplies Department

APPROVED

G.C. LEE
AD/NW

DATE

9/6/92

SCALE

1 : 20

DRAWING NO.

WSD 5.5B

(SHEET 3 OF 3)

CSWP