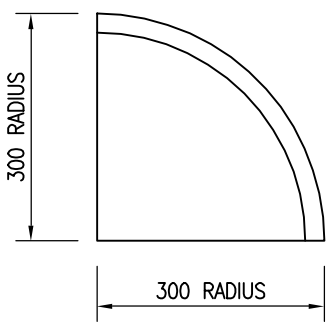
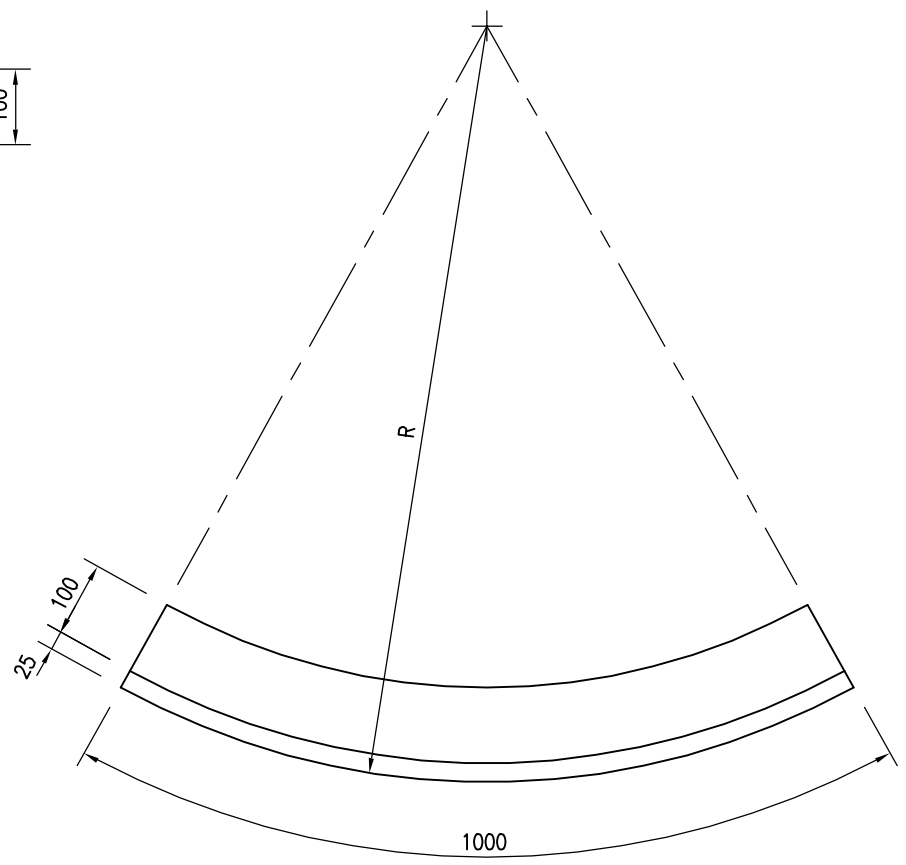


END VIEW



PLAN VIEW  
QUADRANT



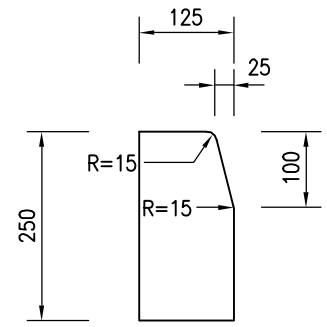
PLAN VIEW

EXTERNAL RADIUS KERBS SHALL HAVE A RADIUS (R) OF 1, 3, 6 OR 9 METRES AND SHALL BE OF KERB TYPE K1 SECTION

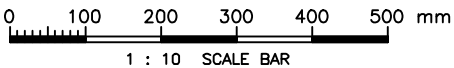
RADIUS KERB

NOTES :

1. ALL DIMENSIONS ARE IN MILLIMETRES.
2. KERBS SHALL BE 1000mm AND EDINGS 750mm IN LENGTH.
3. GRADE OF CONCRETE SHALL BE 30/20D.
4. EXPOSED SURFACE OF PRECAST CONCRETE KERBS SHALL BE OF F3 AND THE SURFACE LAYER SHALL BE PRODUCED AS AN INTEGRAL PART OF THE PRODUCT.
5. DROPPER KERB SHALL BE USED IN RUN-IN/RUN-OUT.



TYPE K1  
STRAIGHT KERB



B	RE-FORMATTED TO CSWP	W.K. CHIU	14/11/03
A	GENERAL REVISION	W.K. CHIU	26/6/00
REF.	REVISION	APPROVED	DATE

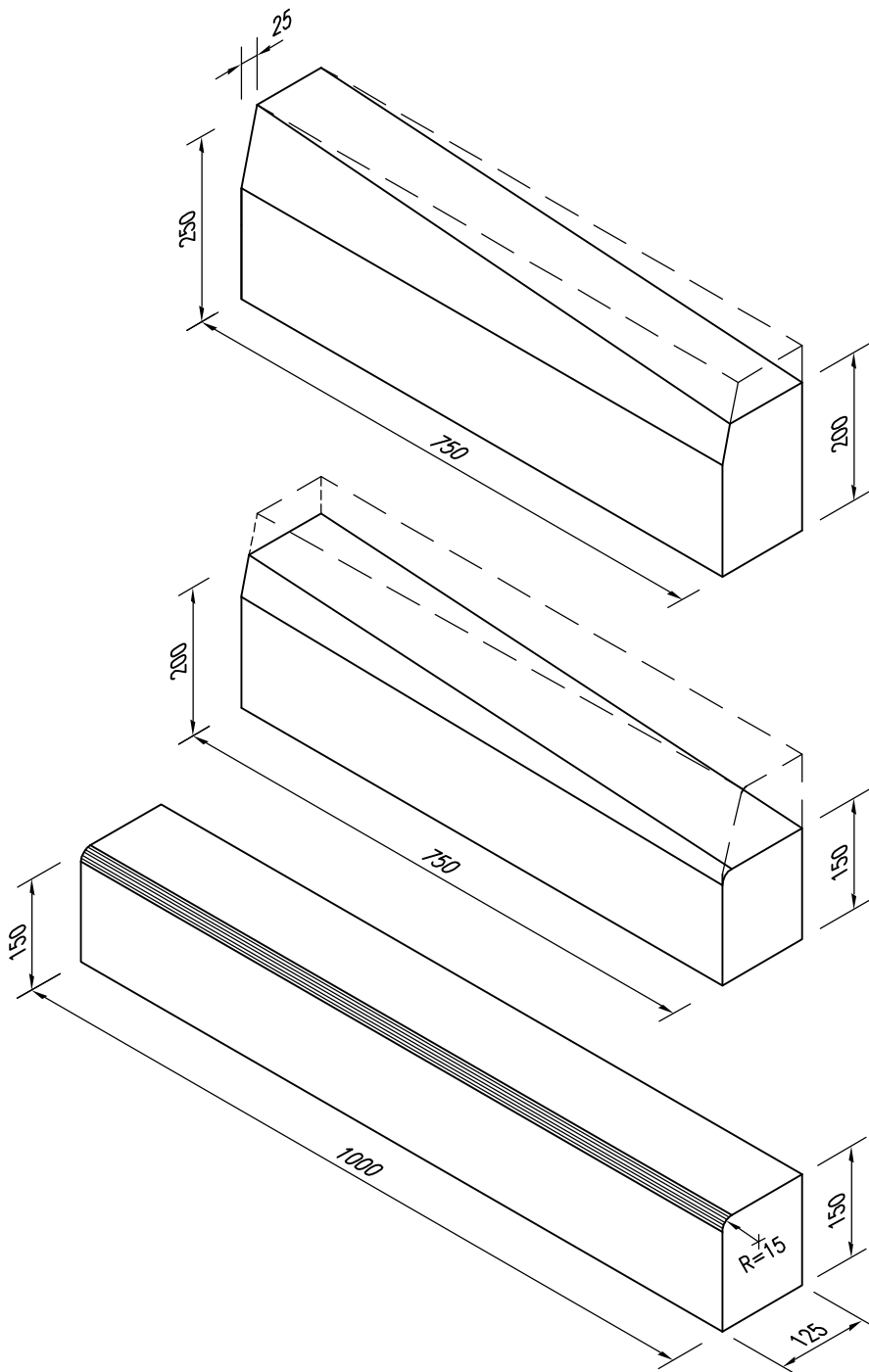
Cad Ref. : WSD050401-B.dwg

PRECAST CONCRETE KERBS



水務署  
Water Supplies Department

APPROVED	G.C. LEE AD/NW	DRAWING NO.	CSWP
DATE	9/6/92	WSD 5.4B	
SCALE	1 : 10	(SHEET 1 OF 2)	

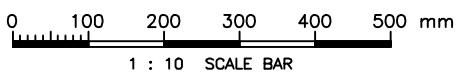
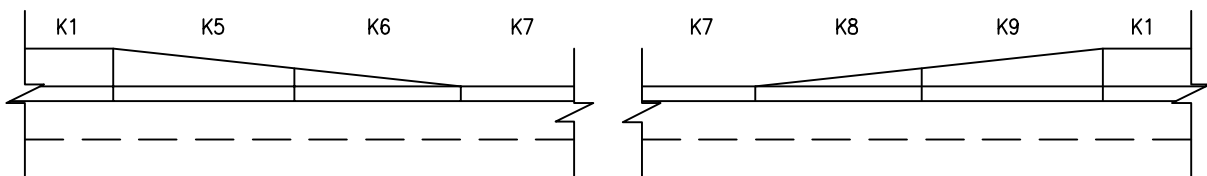


LEFT HAND DROPPER KERB  
TYPE K5 (RIGHT HAND - K9)

LEFT HAND DROPPER KERB  
TYPE K6 (RIGHT HAND - K8)

CENTRE DROPPER KERB TYPE K7

DOUBLE DROP CROSSING KERBS



Cad Ref. : WSD050402-B.dwg

PRECAST CONCRETE KERBS



水務署  
Water Supplies Department

APPROVED	G.C. LEE AD/NW	DRAWING NO.	CSWP
DATE	9/6/92	WSD 5.4B (SHEET 2 OF 2)	
SCALE	1 : 10		