

Cad Ref. : WSD050301 - C.dwg

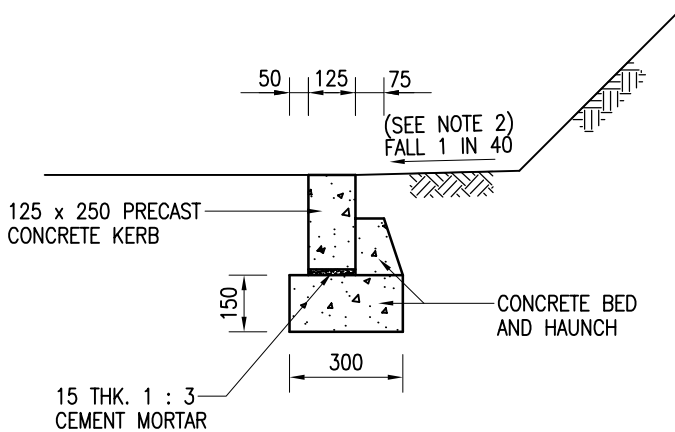
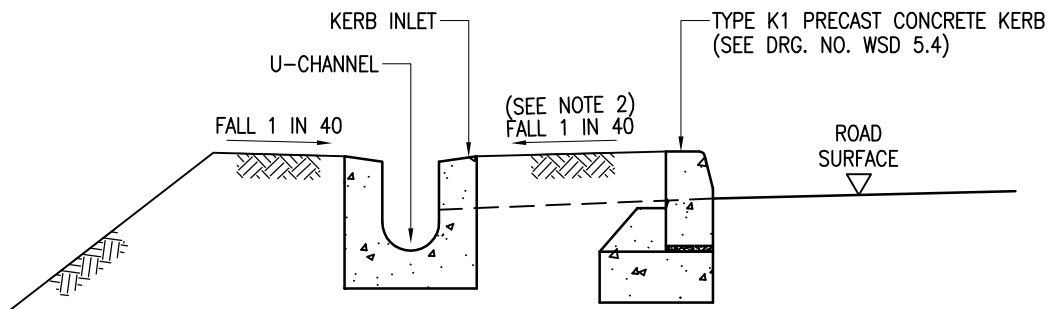
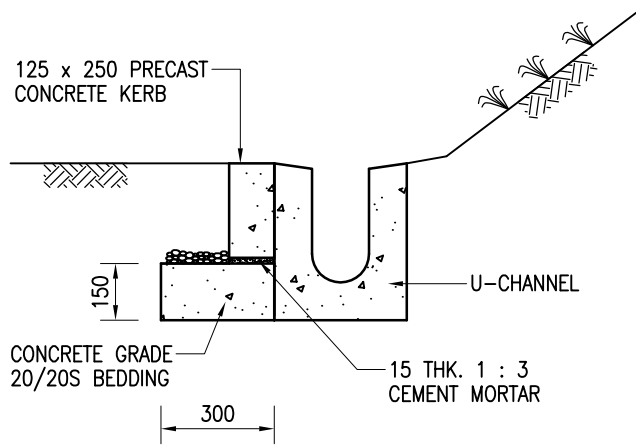
C	GENERAL REVISION	C.M. LEE	8/12/10
B	RE-FORMATTED TO CSWP	W.K. CHIU	14/11/03
A	GENERAL REVISION	W.K. CHIU	26/6/00
REF.	REVISION	APPROVED	DATE

EDGE AND KERB DETAILS



水務署
Water Supplies Department

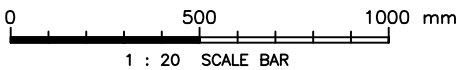
APPROVED	G.C. LEE AD/NW	DRAWING NO. WSD 5.3C (SHEET 1 OF 2)	CSWP
DATE	9/6/92		
SCALE	1 : 20		



ALTERNATIVE EDGE DETAILS

NOTE :

1. ALL DIMENSIONS ARE IN MILLIMETRES.
2. FALL SHALL BE 1 IN 40 NORMALLY OR TO SUIT LEVELS SHOWN IN LAYOUT PLANS OR OTHER RELEVANT DRAWINGS.



Cad Ref. : WSD050302-C.dwg

EDGE AND KERB DETAILS



水務署
Water Supplies Department

APPROVED	G.C. LEE AD/NW	DRAWING NO. WSD 5.3C (SHEET 2 OF 2)	CSWP
DATE	9/6/92		
SCALE	1 : 20		