

SCHEDULE OF FINISHES

LOCATION	FLOOR	SKIRTING	WALLS AND COLUMNS		CEILING AND ROOF BEAM
			DADO	ABOVE DADO	
POWER COMPANY TRANSFORMER ROOM	25mm THICK SCREEDING IN TROWELLED SMOOTH FINISH AND PAINTED WITH ONE COAT OF POLYURETHANE SEALER AND TWO COATS OF EPOXY DUST-PROOF COATING	NOT APPLICABLE	ONE COAT OF LIQUID PREPOLYMER SEALER AND TWO COATS OF ACRYLIC RESIN BASED COATING IN GLOSS FINISH ON 20mm THICK CEMENT RENDERING COLOUR CODE TO BE 00E55 (DADO TO BE 1500mm HIGH AND FINISHED WITH WHITE OR GREY CERAMIC TILES FOR CLP TRANSFORMER ROOM ONLY)		
PUMP HALL	25mm THICK LOW SOUND REFLECTANCE COEF. OIL RESISTANCE AND NON-SLIP CERAMIC TILES	100mm HIGH AND 10mm THICK LOW SOUND REFLECTANCE COEF. OIL RESISTANCE CERAMIC TILES	150 x 150 x 9-10mm THICK LOW SOUND REFLECTANCE COEF. OIL RESISTANCE GLAZED CERAMIC TILES	3 COATS OF APPROVED SEMIGLOSS PLASTIC EMULSION PAINT OF COLOUR CODE 08B15 ON 15mm THICK LIME PLASTER	3 COATS OF APPROVED SEMIGLOSS EMULSION PAINT OF PLASTIC COLOUR CODE 00E55 ON 15mm THICK LIME PLASTER
SWITCHGEAR ROOM	40mm THICK RUBBED GRANOLITHIC FINISH	300mm HIGH 20mm THICK TROWELLED GRANOLITHIC SKIRTING	3 COATS OF APPROVED SEMIGLOSS PLASTIC EMULSION PAINT OF COLOUR CODE 08B15 ON 15mm THICK LIME PLASTER	DITTO	DITTO
CAPACITOR ROOM	DITTO	DITTO	DITTO	DITTO	DITTO
BLOWER ROOM	DITTO	DITTO	DITTO	DITTO	DITTO
CONTROL ROOM	VITRIFIED CLAY FLOOR TILES COLOUR BUFF SPECKLE	100mm HIGH TILE SKIRTING COLOUR SAME AS THAT FOR FLOOR TILES	DITTO	DITTO	DITTO
CHLORINATION PLANT ROOM	DITTO	DITTO	DITTO	DITTO	DITTO
CHLORINE STORE	DITTO	DITTO	DITTO	DITTO	DITTO

D	DETAILS OF SAND CEMENT MORTAR ADDED	W.K. CHIU	25/2/05
C	RE-FORMATTED TO CSWP	W.K. CHIU	18/7/03
B	GENERAL REVISION	W.K. CHIU	6/12/01
A	TRANSFORMER ROOM REVISED	K.W. CHAN	18/3/93
REF.	REVISION	APPROVED	DATE

INTERNAL FINISHES



水務署
Water Supplies Department

APPROVED	G.C. LEE AD/NW	DRAWING NO. WSD 2.2D (SHEET 1 OF 4)	CSWP
DATE	9/6/92		
SCALE	NOT APPLICABLE		

SCHEDULE OF FINISHES

LOCATION	FLOOR	SKIRTING	WALLS AND COLUMNS		CEILING AND ROOF BEAM
			DADO	ABOVE DADO	
ELECTRO CHLORINATOR SWITCHGEAR ROOM	VITRIFIED CLAY FLOOR TILES COLOUR BUFF SPECKLE	100mm HIGH TILE SKIRTING COLOUR SAME AS THAT FOR FLOOR TILES	3 COATS OF APPROVED SEMIGLOSS PLASTIC EMULSION PAINT OF COLOUR CODE 08B15 ON 15mm THICK LIME PLASTER	3 COATS OF APPROVED SEMIGLOSS PLASTIC EMULSION PAINT OF COLOUR CODE 08B15 ON 15mm THICK LIME PLASTER	3 COATS OF APPROVED SEMIGLOSS PLASTIC EMULSION PAINT OF COLOUR CODE 08B15 ON 15mm THICK LIME PLASTER
STORE	DITTO	DITTO	DITTO	DITTO	DITTO
CORRIDOR, WALKWAYS, STAIRCASES	DITTO (STEPS WITH NON-SLIP NOSING TILES)	DITTO	DITTO	DITTO	DITTO
BATTERY ROOM	DITTO	DITTO	DITTO (WHITE GLAZED TILES UP TO 1400mm ABOVE FINISHED FLOOR LEVEL FOR SINK CUPBOARD AREA)	DITTO	DITTO
MESS	UNGLAZED NON-SLIP CLAY FLOOR TILES COLOUR SPECKLE GREEN	NOT APPLICABLE	WHITE GLAZED TILES UP TO THE SOFFIT OF BEAM AND CEILING	NOT APPLICABLE	DITTO
TOILET	DITTO	DITTO	DITTO	DITTO	DITTO
LOADING BAY	25mm THICK TROWELLED GRANOLITHIC FINISH	300mm HIGH 20mm THICK TROWELLED GRANOLITHIC SKIRTING	3 COATS OF APPROVED SEMIGLOSS PLASTIC EMULSION PAINT OF COLOUR CODE 08B15 ON 15mm THICK LIME PLASTER	3 COATS OF APPROVED SEMIGLOSS PLASTIC EMULSION PAINT OF COLOUR CODE 08B15 ON 15mm THICK LIME PLASTER	

Cod Ref. : WSD020202-D.dwg

INTERNAL FINISHES



水務署
Water Supplies Department

APPROVED

G.C. LEE
AD/NW

DATE

9/6/92

SCALE

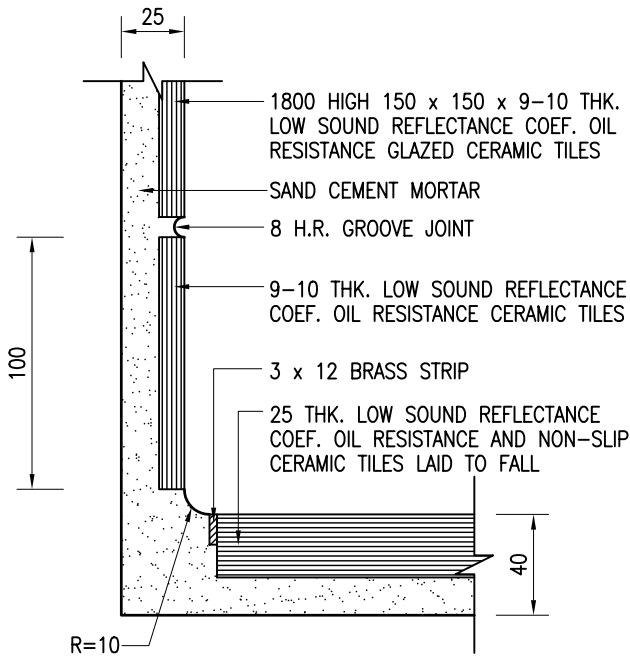
NOT APPLICABLE

DRAWING NO.

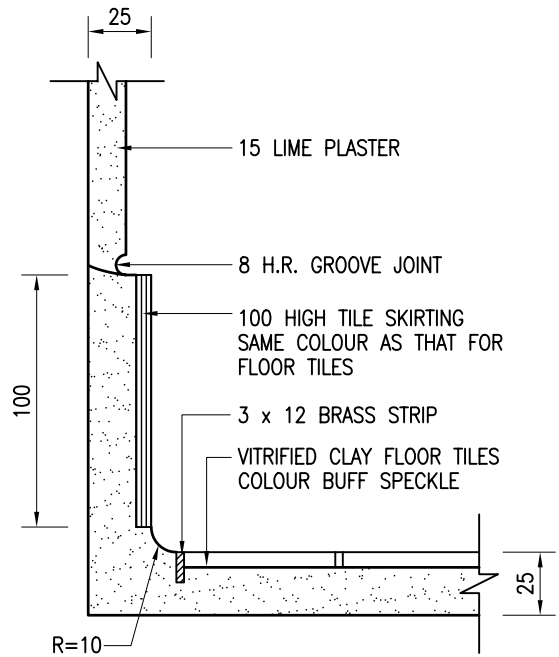
WSD 2.2D

(SHEET 2 OF 4)

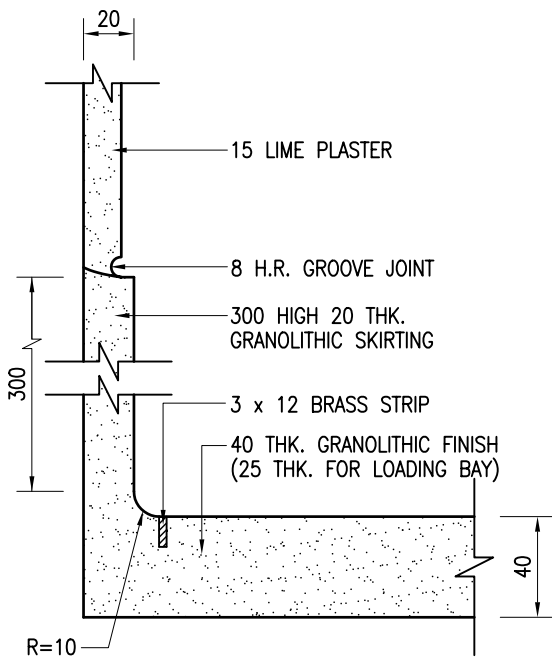
CSWP



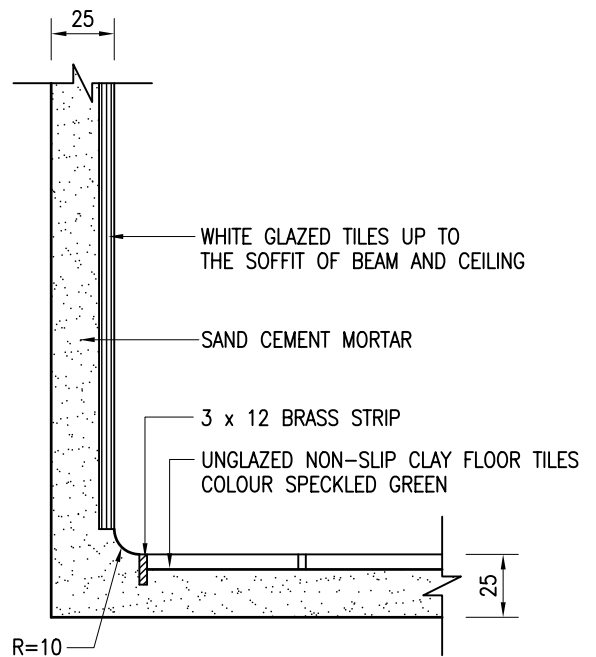
PUMP HALL



CONTROL/BATTERY/CHLORINATION PLANT/
ELECTRO CHLORINATOR SWITCHGEAR/
CHLORINE STORE/STORE ROOM,
CORRIDOR, WALKWAYS AND STAIRCASES



CAPACITOR/SWITCHGEAR/
BLOWER ROOM AND LOADING BAY



TOILET AND MESS

Cod Ref. : WSD020203-D.dwg

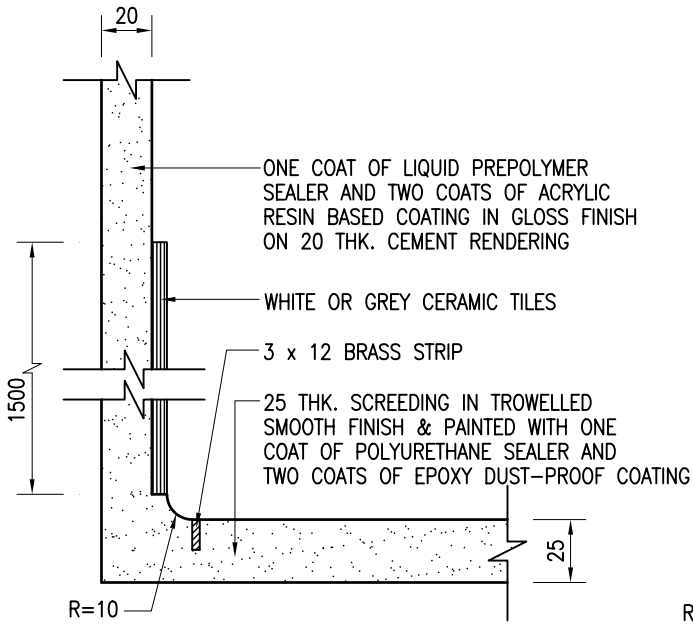
INTERNAL FINISHES



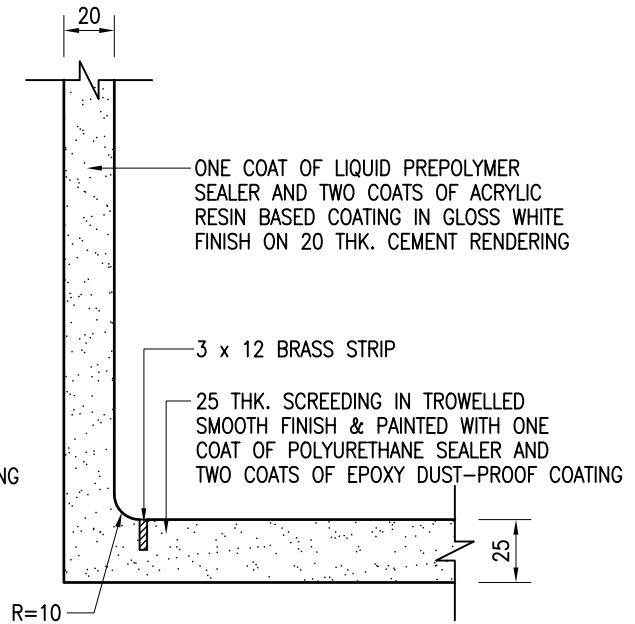
水務署
Water Supplies Department

APPROVED	G.C. LEE AD/NW
DATE	9/6/92
SCALE	N.T.S.

DRAWING NO.	CSWP
WSD 2.2D (SHEET 3 OF 4)	

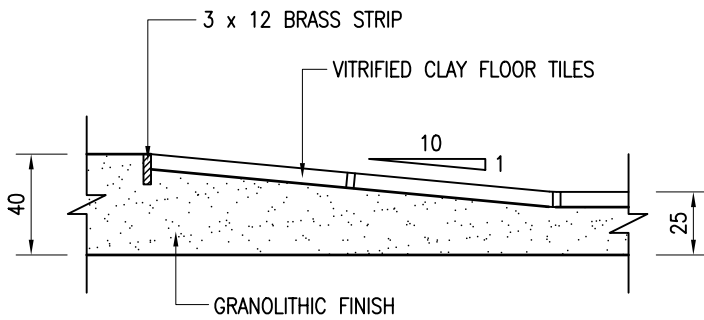


CLP'S REQUIREMENT

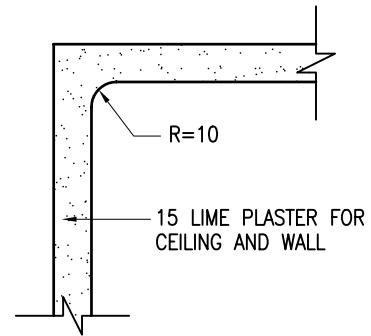


HEC'S REQUIREMENT

TRANSFORMER ROOM



JOINT DETAILS OF FLOOR



CEILING COVE

NOTES :

1. ALL DIMENSIONS ARE IN MILLIMETRES.
2. THE FLOOR LEVEL FOR TRANSFORMER ROOM SHALL BE LEVELLED TO 1 : 1000.
3. ALL COLOUR CODES SHALL BE BS 5252.

INTERNAL FINISHES



水務署
Water Supplies Department

APPROVED

G.C. LEE
AD/NW

DATE

9/6/92

SCALE

N.T.S.

DRAWING NO.

WSD 2.2D

(SHEET 4 OF 4)

CSWP