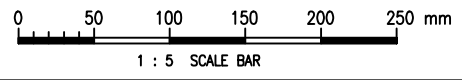


(CONNECTOR PIECES NOT SHOWN)


PLAN

- NOTE :
1. ALL DIMENSIONS ARE IN MILLIMETRES UNLESS OTHERWISE SPECIFIED.
 2. ALL MACHINED SURFACES ARE MARKED THUS '▽'.

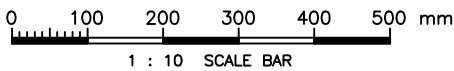
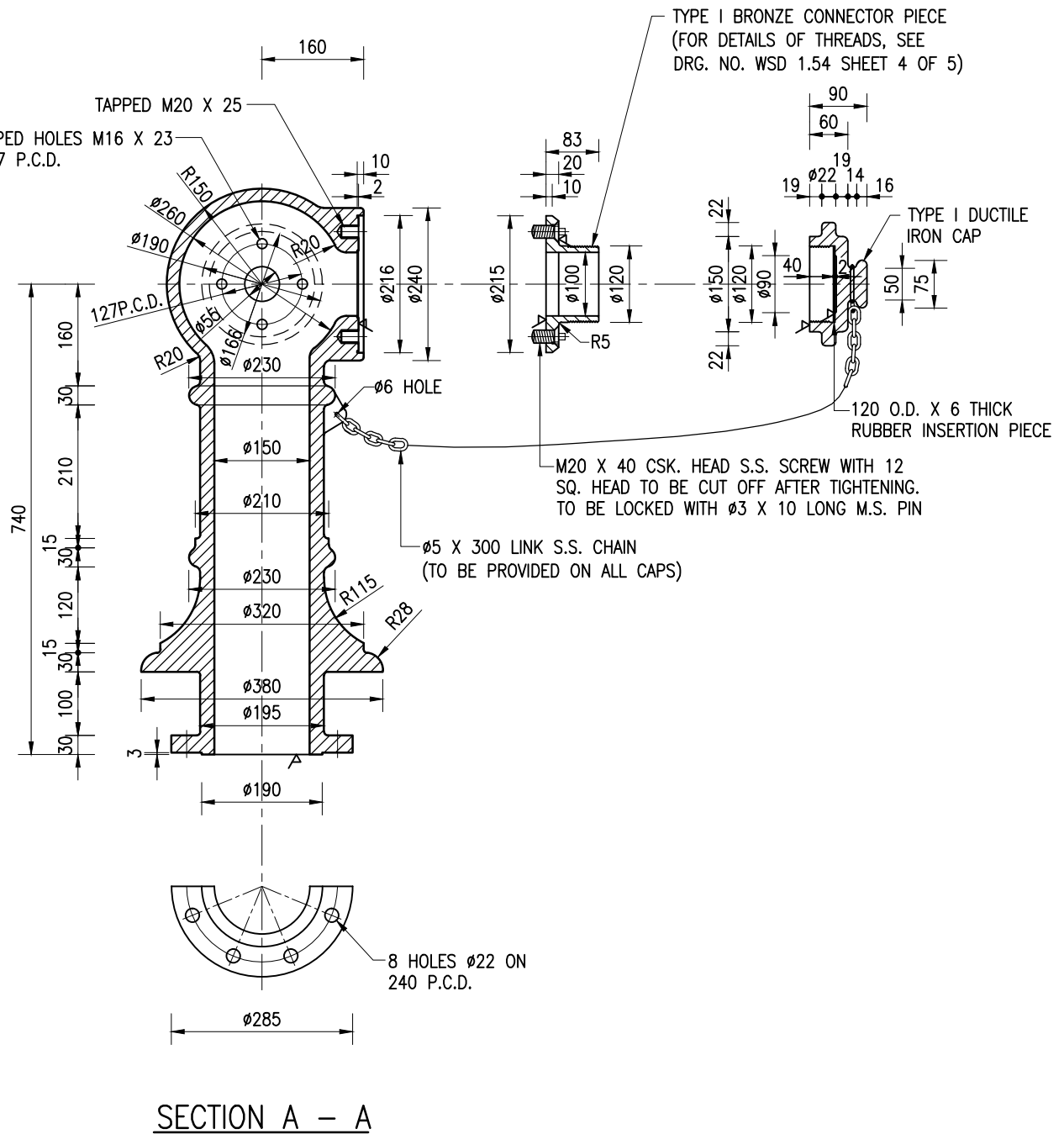


Cad Ref. : WSD015401.dwg

DETAILS OF CAST IRON
ROUND HEAD FIRE HYDRANT

REF.	REVISION	APPROVED	DATE
 水務署 Water Supplies Department			
APPROVED	W.L. LEUNG AD/NW	DRAWING NO.	CSWP
DATE	22/5/15	WSD 1.54 (SHEET 1 OF 5)	
SCALE	1 : 5		

Cad Ref. : WSD015402.dwg



DETAILS OF CAST IRON
ROUND HEAD FIRE HYDRANT



水務署
Water Supplies Department

APPROVED

W.L. LEUNG
AD/NW

DATE

22/5/15

SCALE

1 : 10

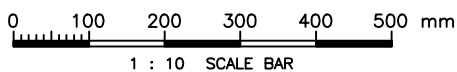
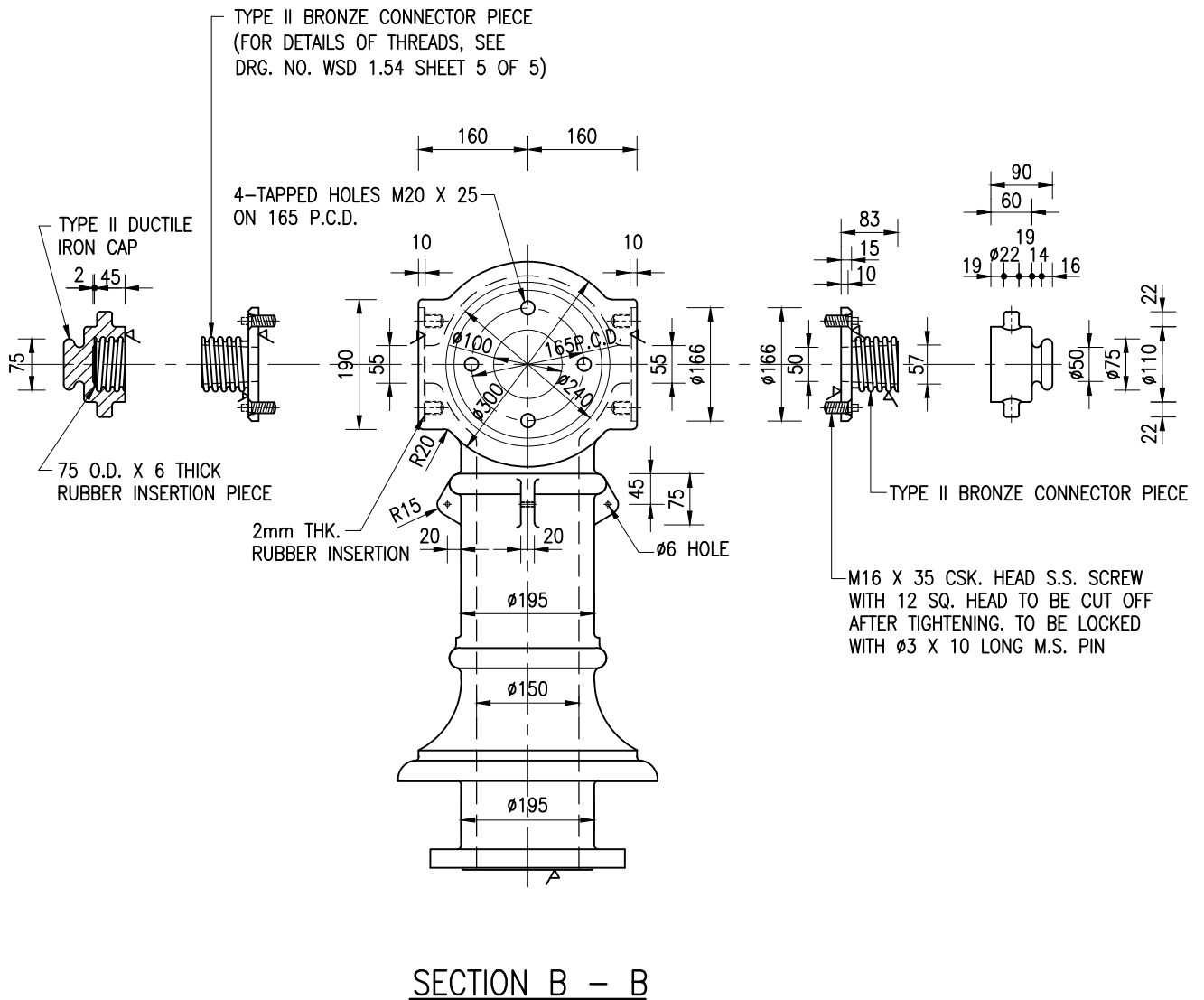
DRAWING NO.

WSD 1.54


(SHEET 2 OF 5)

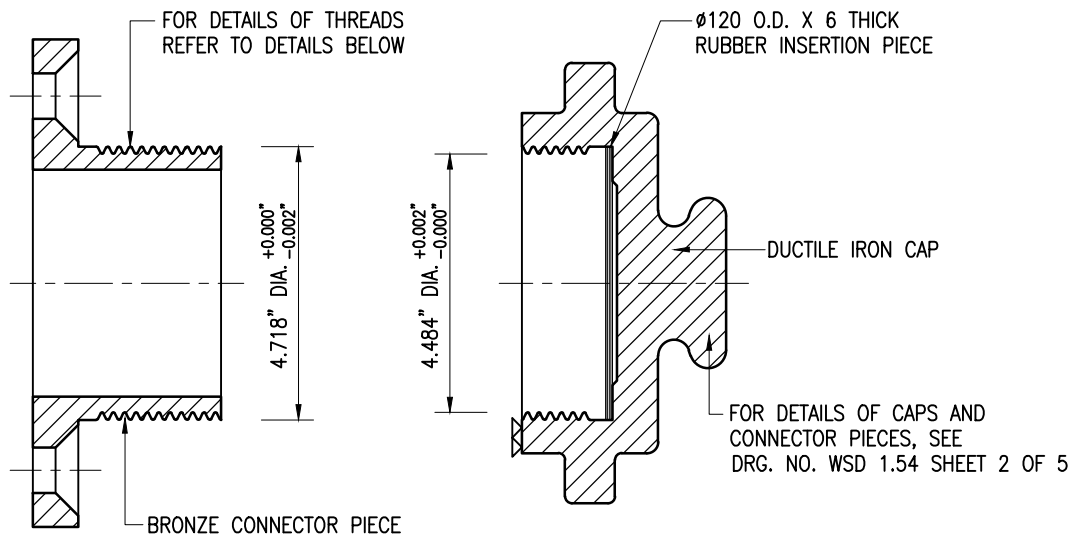
CSWP

Cad Ref. : WSD015403.dwg

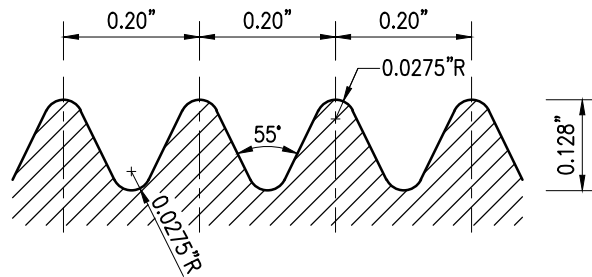


DETAILS OF CAST IRON
ROUND HEAD FIRE HYDRANT

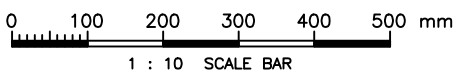
REF.	REVISION	APPROVED	DATE
 水務署 Water Supplies Department			
APPROVED	W.L. LEUNG AD/NW	DRAWING NO.	CSWP
DATE	22/5/15	WSD 1.54 (SHEET 3 OF 5)	
SCALE	1 : 10		



TYPE I BRONZE CONNECTOR PIECE AND CAP



DETAILS OF THREADS FOR TYPE I



Cad Ref. : WSD015404.dwg

DETAILS OF CAST IRON
ROUND HEAD FIRE HYDRANT



水務署
Water Supplies Department

APPROVED

W.L. LEUNG
AD/NW

DATE

22/5/15

SCALE

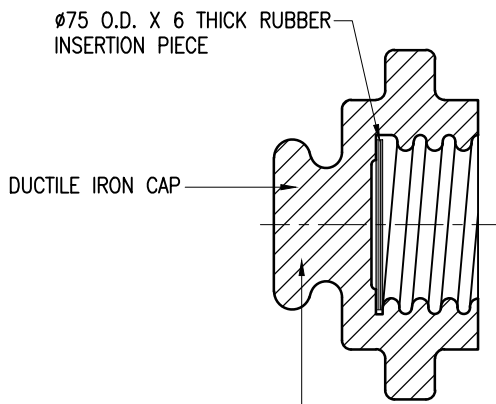
1 : 10

DRAWING NO.

WSD 1.54

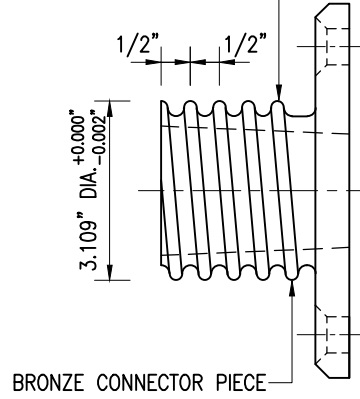
(SHEET 4 OF 5)

CSWP

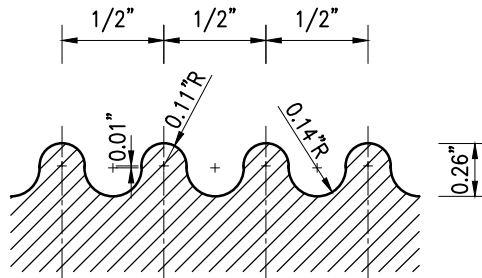


FOR DETAILS OF CAPS AND
CONNECTOR PIECES, SEE
DRG. NO. WSD 1.54 SHEET 3 OF 5

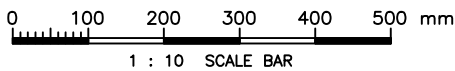
FOR DETAILS OF THREADS
REFER TO DETAILS BELOW



TYPE II BRONZE CONNECTOR PIECE AND CAP




DETAILS OF THREADS FOR TYPE II



Cad Ref. : WSD015405.dwg

DETAILS OF CAST IRON
ROUND HEAD FIRE HYDRANT

REF.	REVISION	APPROVED	DATE
 水務署 Water Supplies Department			
APPROVED	W.L. LEUNG AD/NW	DRAWING NO.	CSWP
DATE	22/5/15	WSD 1.54 (SHEET 5 OF 5)	
SCALE	1 : 10		