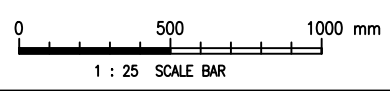
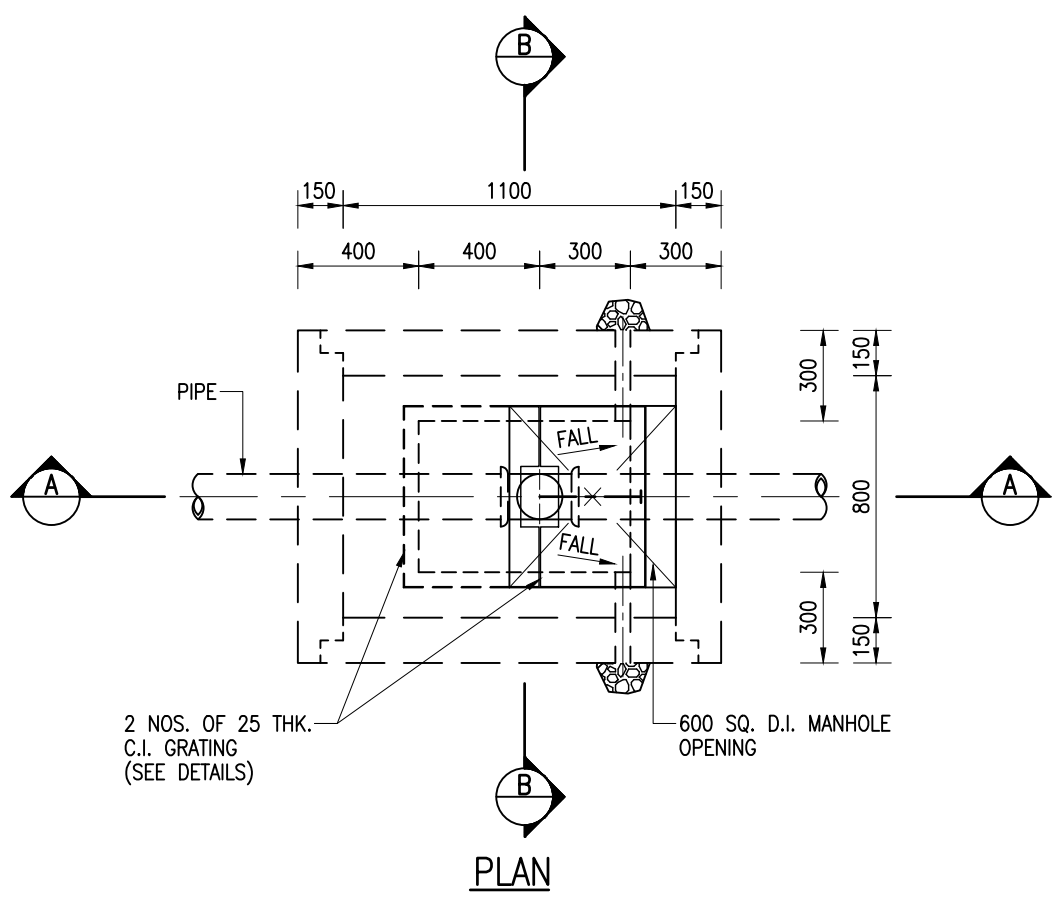


SECTION A - A

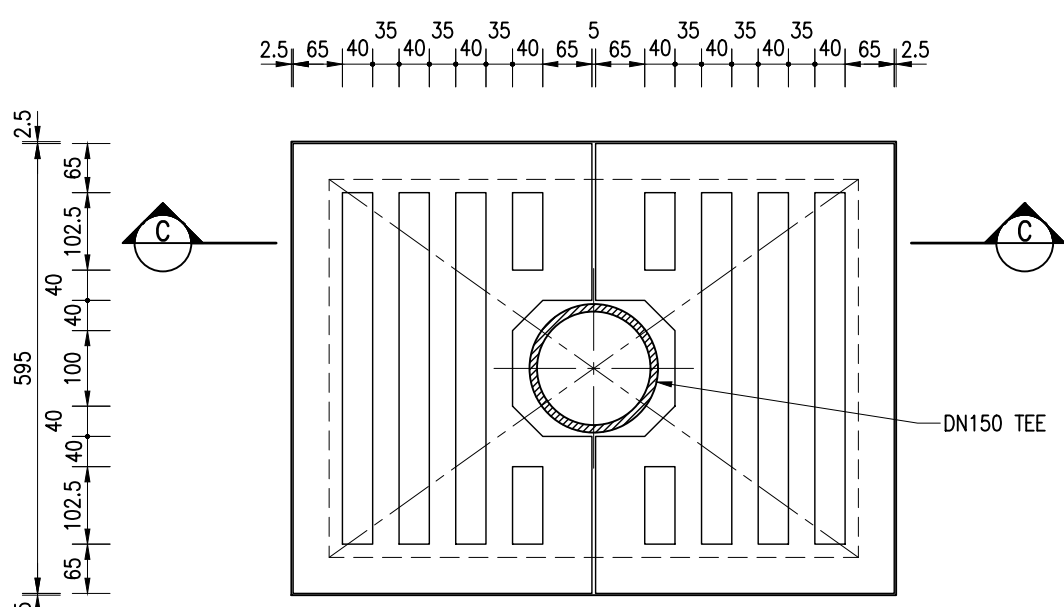
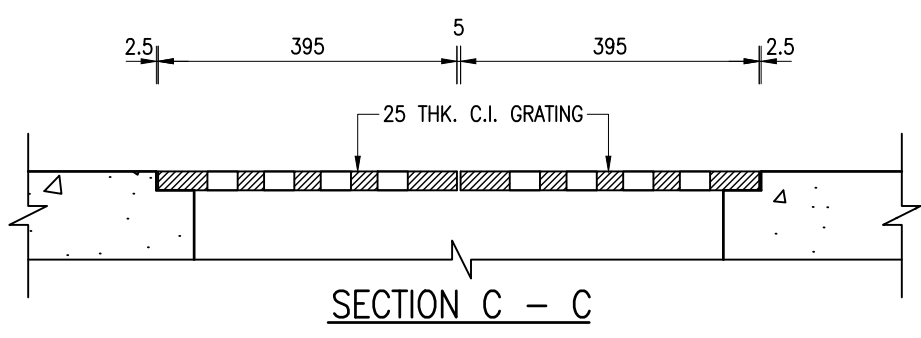
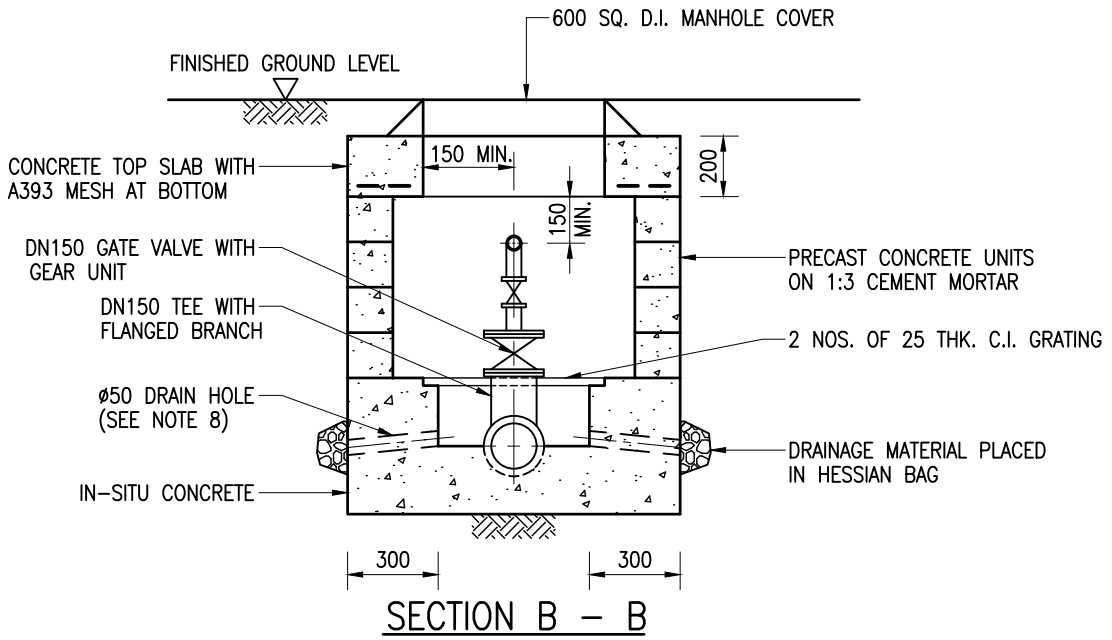


A	GENERAL REVISION	K.H. HO	18/8/21
REF.	REVISION	APPROVED	DATE

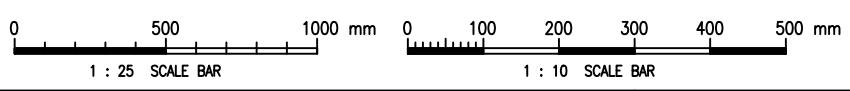
MULTI-PURPOSE INSERTION CHAMBER (CARRIAGEWAY)

 水務署 Water Supplies Department		DRAWING NO.	WSD 1.53A (SHEET 1 OF 3)
		APPROVED	
DATE	W.L. LEUNG AD/NW		
SCALE	15/2/12		
	1 : 25		

Cad Ref. : WSD015301-A.dwg



DETAILS OF C.I. GRATING
SCALE 1 : 10

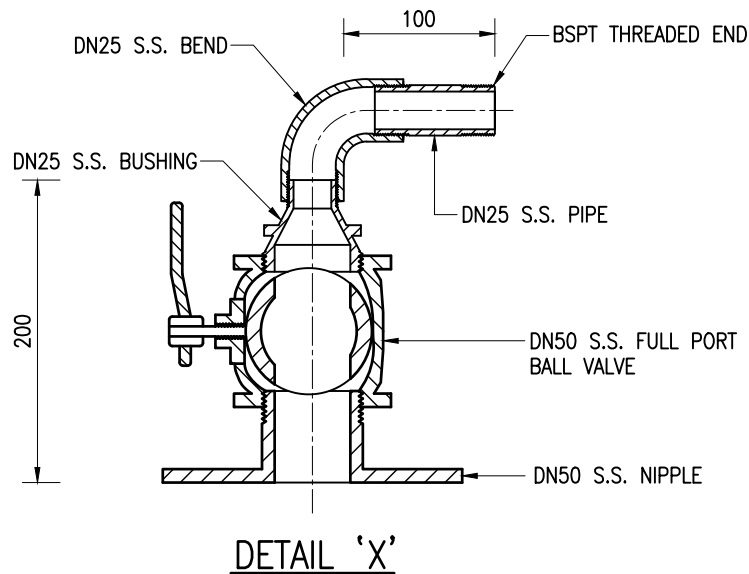


Cad Ref. : WSD015302-A.dwg

MULTI-PURPOSE INSERTION CHAMBER (CARRIAGEWAY)

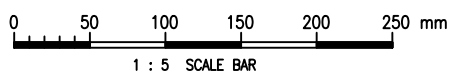
水務署
Water Supplies Department

APPROVED	W.L. LEUNG AD/NW	DRAWING NO.	CSWP
DATE	15/2/12	WSD 1.53A (SHEET 2 OF 3)	
SCALE	1 : 25 OR AS SHOWN		



NOTES :

1. ALL DIMENSIONS ARE IN MILLIMETRES.
2. FOR DETAILS OF PRECAST CONCRETE UNITS, REFER TO DRG. NO. WSD 1.7.
3. FOR DETAILS OF 600 SQUARE DUCTILE IRON MANHOLE COVER, REFER TO DRG. NO. WSD 7.48.
4. GRADE OF IN-SITU CONCRETE SHALL BE 30/20D.
5. DIMENSION 'A' SHALL NOT EXCEED 1200 UNLESS OTHERWISE APPROVED BY THE ENGINEER.
6. THIS CHAMBER MAY BE USED FOR PRESSURE OR FLOW MEASUREMENTS BY REPLACING THE DOUBLE AIR VALVE WITH THE FITTING SHOWN IN DETAIL 'X'. PRESSURE MEASUREMENTS MAY BE TAKEN BY CONNECTING A DATA LOGGER TO THE DN25 STAINLESS STEEL PIPE SHOWN IN DETAIL 'X'. FLOW MEASUREMENTS MAY BE TAKEN BY REMOVING THE DN25 STAINLESS STEEL BEND SHOWN IN DETAIL 'X' AND INSERTING AN INSERTION TYPE ELECTROMAGNETIC FLOWMETER THROUGH THE DN50 STAINLESS STEEL FULL PORT BALL VALVE.
7. THIS CHAMBER MAY ALSO BE USED AS AN INSERTION CHAMBER FOR NON-DSTRUCTIVE CONDITION ASSESSMENT OF AN IN-SERVICE PRESSURISED WATER MAIN BY REMOVING THE FITTING SHOWN IN DETAIL 'X' AND INSERTING A TETHERED OR UNTETHERED SURVEY DEVICE THROUGH THE HORIZONTAL GATE VALVE.
8. DRAIN HOLE AND HESSIAN BAG SHALL BE INSTALLED WHEN THE ESTIMATED HIGHEST GROUND WATER LEVEL IS BELOW THE FORMATION LEVEL OF CHAMBER.
9. 700 m SPACING IS RECOMMENDED BETWEEN INSERTION CHAMBERS. THE EXACT SPACING BETWEEN THE INSERTION CHAMBERS SHOULD BE DETERMINED ON A CASE-BY-CASE BASIS DEPENDING ON THE FITTINGS ALONG THE ALIGNMENT.



Cad Ref. : WSD015303-A.dwg

MULTI-PURPOSE INSERTION
CHAMBER
(CARRIAGEWAY)



水務署
Water Supplies Department

APPROVED

W.L. LEUNG
AD/NW

DATE

15/2/12

SCALE

1 : 5

DRAWING NO.

WSD 1.53A

(SHEET 3 OF 3)

CSWP