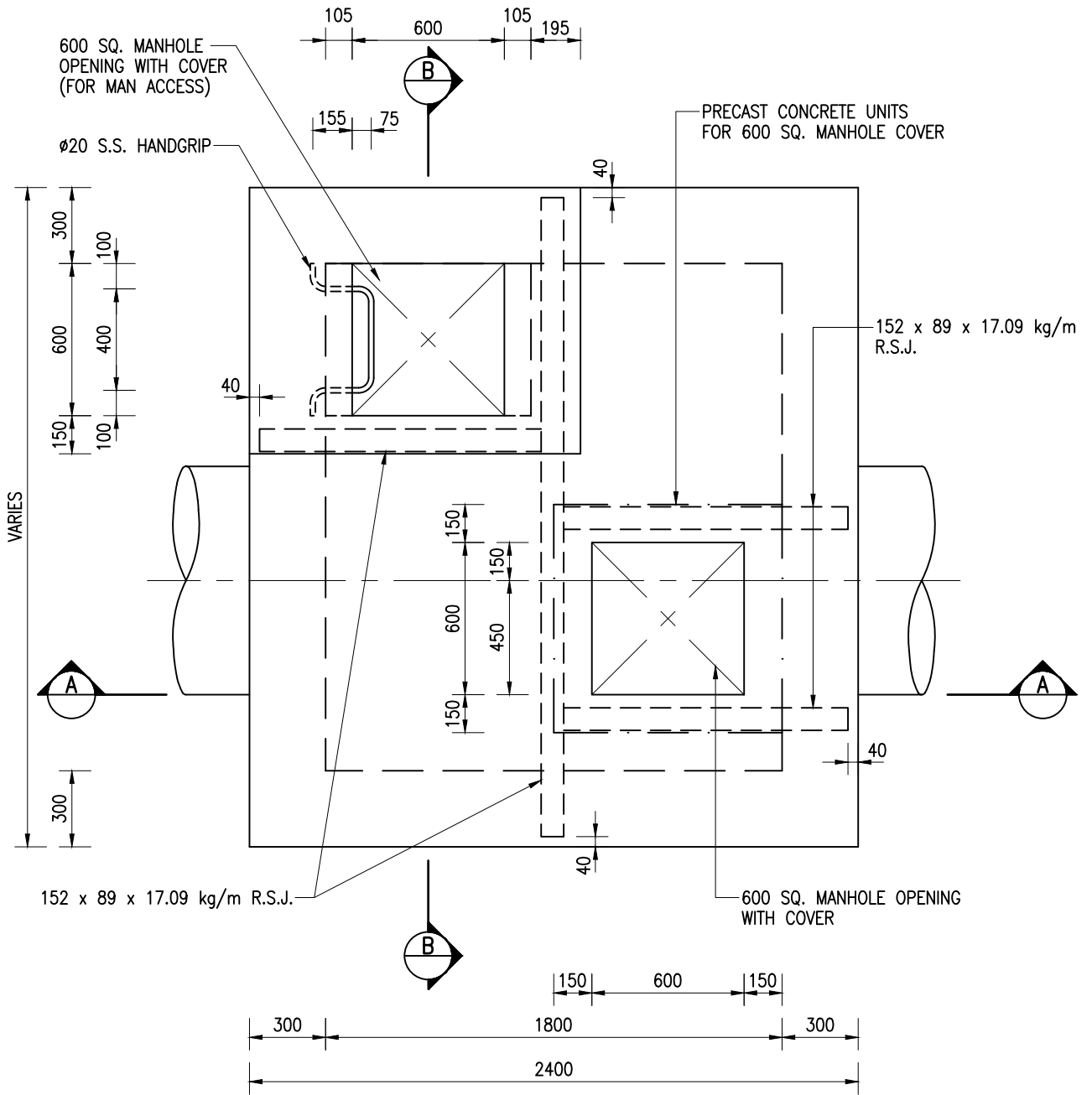
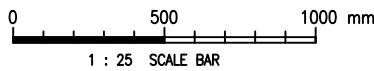


Cad Ref. : WSD015101-A.dwg



PLAN



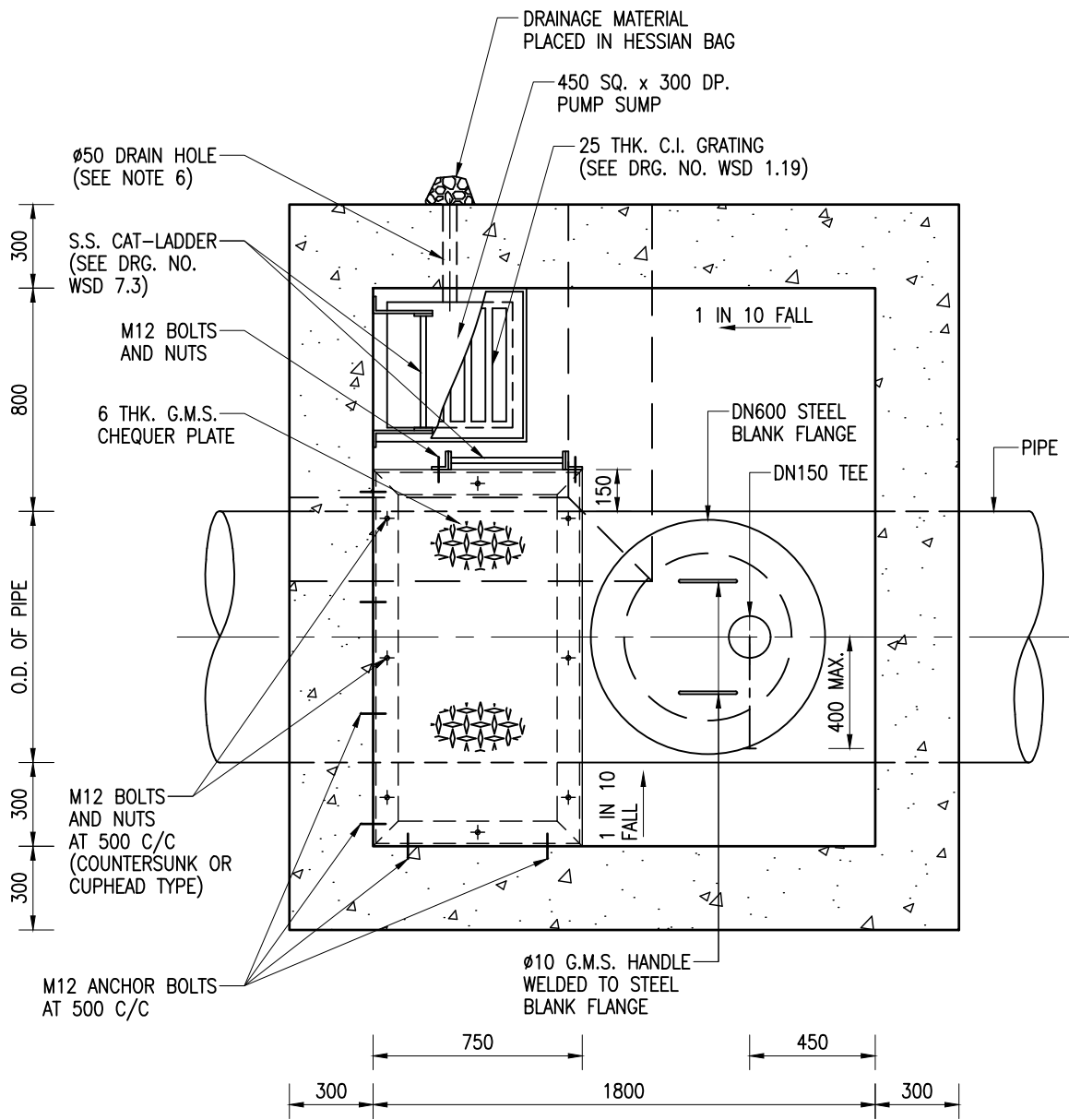
A	GENERAL REVISION	K.H. HO	18/8/21
REF.	REVISION	APPROVED	DATE

**MULTI-PURPOSE INSPECTION
TEE CHAMBER –
GENERAL ARRANGEMENT**

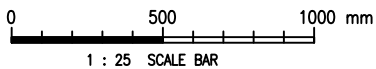


**水務署
Water Supplies Department**

APPROVED	W.L. LEUNG AD/NW	DRAWING NO.	CSWP
DATE	15/2/12	WSD 1.51A	(SHEET 1 OF 5)
SCALE	1 : 25		



SECTIONAL PLAN



Cad Ref. : WSD015102-A.dwg

**MULTI-PURPOSE INSPECTION
TEE CHAMBER –
GENERAL ARRANGEMENT**



**水務署
Water Supplies Department**

APPROVED

W.L. LEUNG
AD/NW

DATE

15/2/12

SCALE

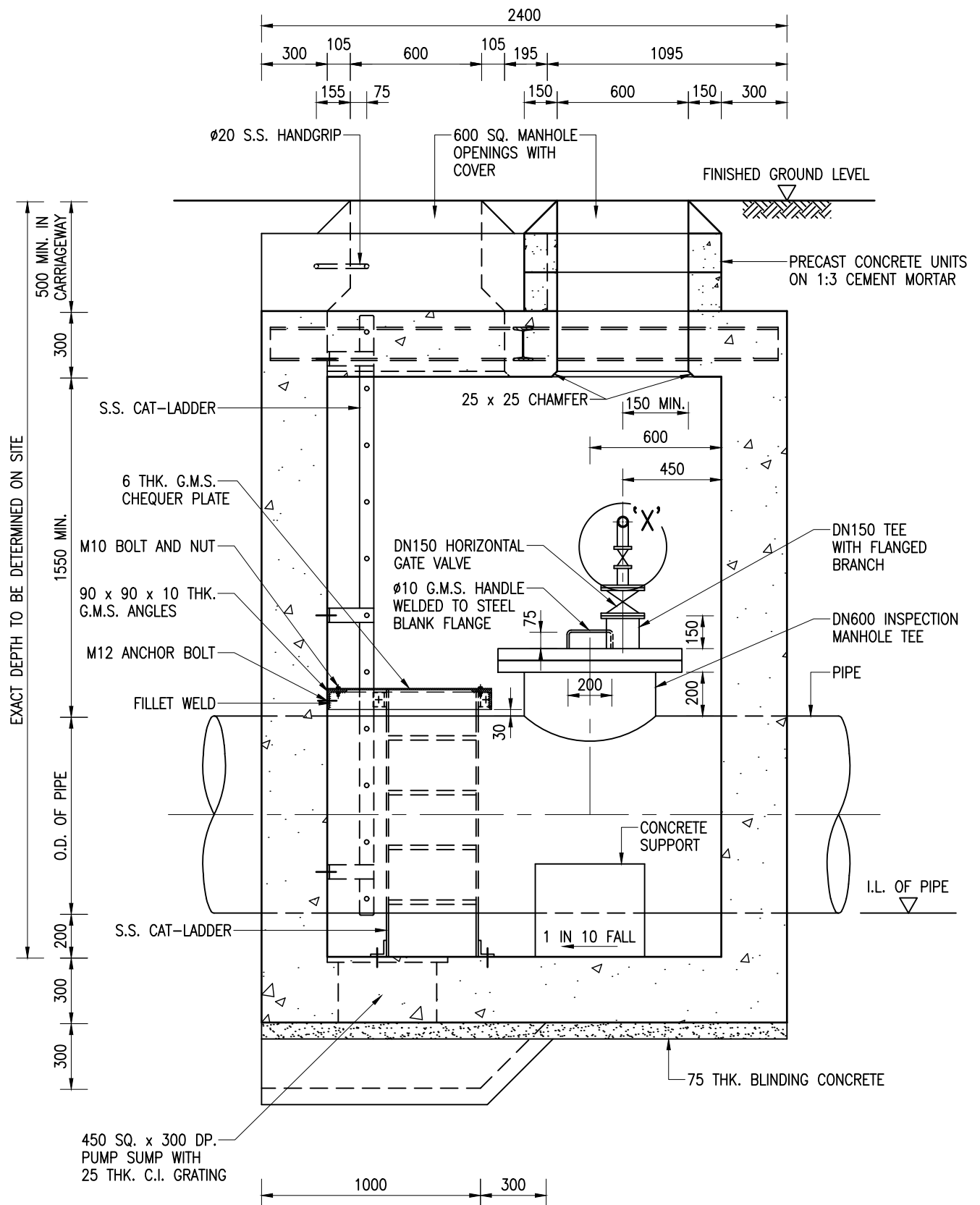
1 : 25

DRAWING NO.

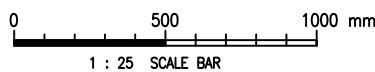
WSD 1.51A

(SHEET 2 OF 5)

CSWP



SECTION A - A



Cad Ref. : WSD015103-A.dwg

MULTI-PURPOSE INSPECTION
TEE CHAMBER -
GENERAL ARRANGEMENT



水務署
Water Supplies Department

APPROVED

W.L. LEUNG
AD/NW

DRAWING NO.

CSWP

DATE

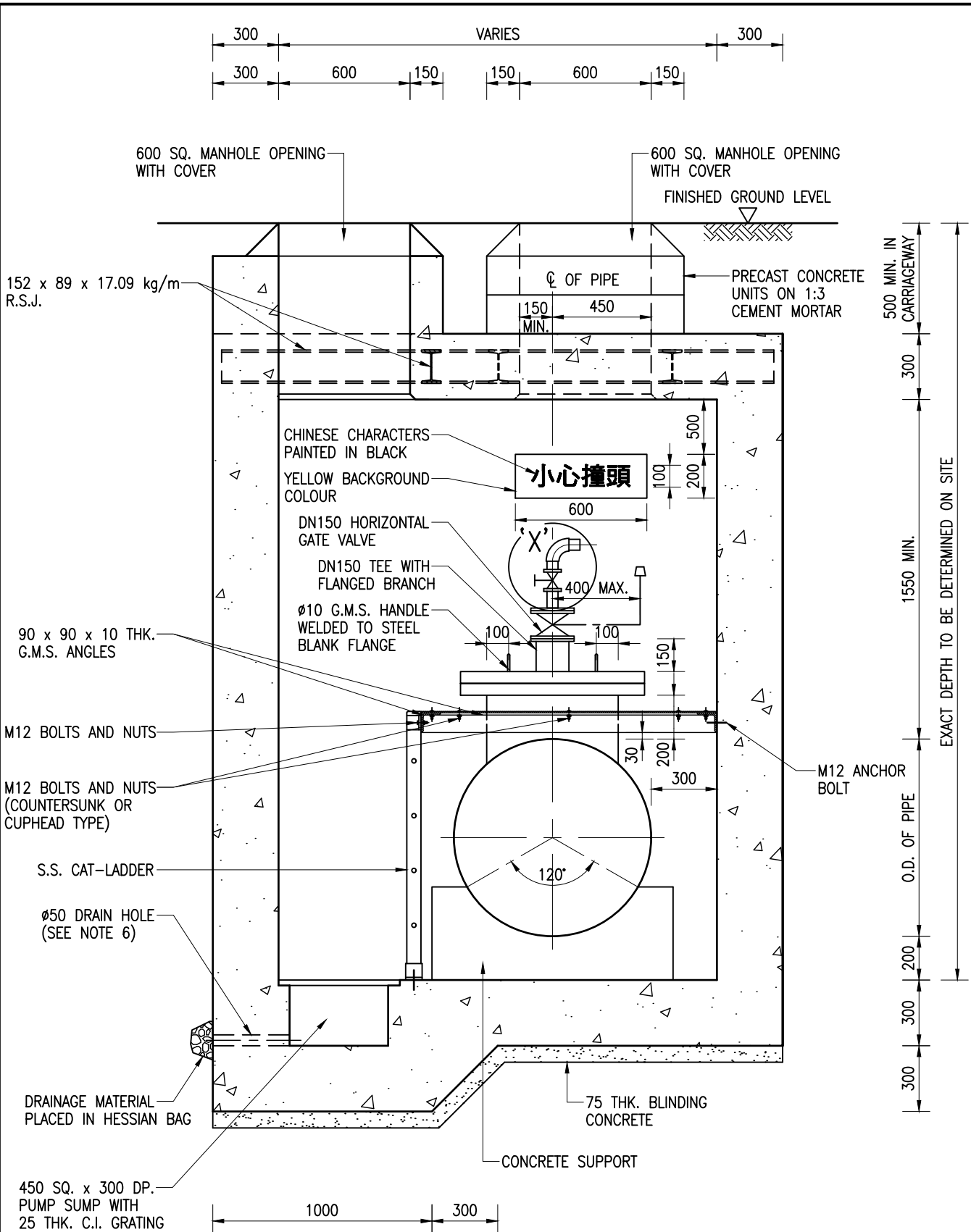
15/2/12

WSD 1.51A

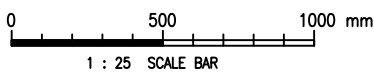
SCALE

1 : 25

(SHEET 3 OF 5)



SECTION B - B



Cad Ref. : WSD015104-A.dwg

MULTI-PURPOSE INSPECTION
TEE CHAMBER -
GENERAL ARRANGEMENT



水務署
Water Supplies Department

APPROVED

W.L. LEUNG
AD/NW

DRAWING NO.

CSWP

DATE

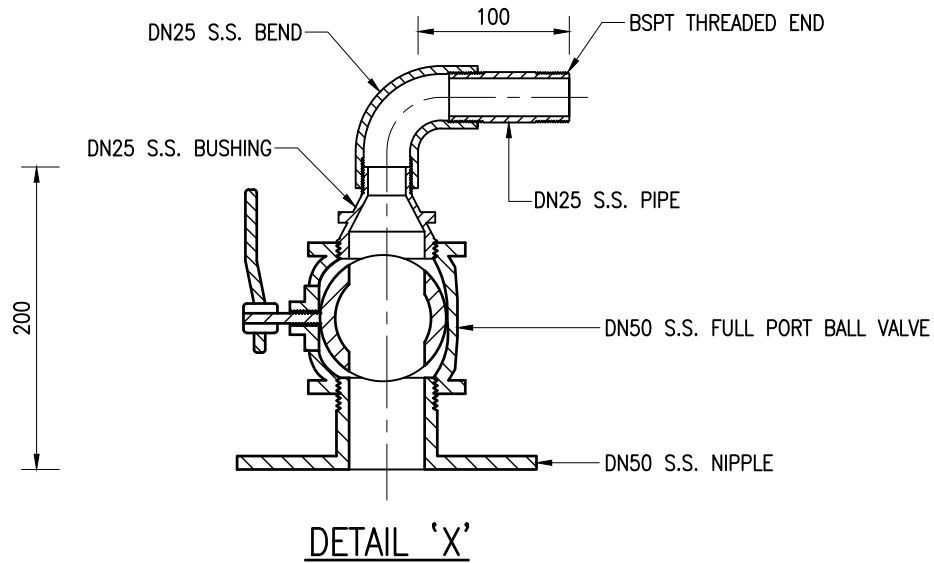
15/2/12

WSD 1.51A

SCALE

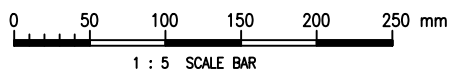
1 : 25

(SHEET 4 OF 5)



NOTES :

1. ALL DIMENSIONS ARE IN MILLIMETRES.
2. ALL REINFORCED CONCRETE SHALL BE GRADE 35/20D. BLINDING CONCRETE SHALL BE GRADE 20/20D.
3. FOR CONNECTION DETAILS OF ROLLED STEEL JOIST, REFER TO DRAWING NO. WSD 1.13.
4. THIS CHAMBER MAY BE USED FOR PRESSURE OR FLOW MEASUREMENTS BY REPLACING THE DOUBLE AIR VALVE WITH THE FITTING SHOWN IN DETAIL 'X'. PRESSURE MEASUREMENTS MAY BE TAKEN BY CONNECTING A DATA LOGGER TO THE DN25 STAINLESS STEEL PIPE SHOWN IN DETAIL 'X'. FLOW MEASUREMENTS MAY BE TAKEN BY REMOVING THE DN25 STAINLESS STEEL BEND SHOWN IN DETAIL 'X' AND INSERTING AN INSERTION TYPE ELECTROMAGNETIC FLOWMETER THROUGH THE DN50 STAINLESS STEEL FULL PORT BALL VALVE.
5. THIS CHAMBER MAY ALSO BE USED AS AN INSERTION CHAMBER FOR NON-DISTRUCTIVE CONDITION ASSESSMENT OF AN IN-SERVICE PRESSURISED WATER MAIN BY REMOVING THE FITTING SHOWN IN DETAIL 'X' AND INSERTING A TETHERED OR UNTETHERED SURVEY DEVICE THROUGH THE HORIZONTAL GATE VALVE.
6. DRAIN HOLE AND HESSIAN BAG SHALL BE INSTALLED WHEN THE ESTIMATED HIGHEST GROUND WATER LEVEL IS BELOW THE FORMATION LEVEL OF CHAMBER.
7. ALL STEEL MATERIALS SHALL BE HOT-DIP GALVANISED TO BS EN ISO 1461.
8. ALL WELDS SHALL BE 5 mm FILLET WELD.
9. THE MANHOLE OPENING FOR MAN ACCESS SHALL BE LOCATED NEARER TO THE PAVEMENT SIDE FOR ACCESS SAFETY.
10. ALL STAINLESS STEEL MATERIAL SHALL BE STAINLESS STEEL OF STEEL NUMBER 1.4401 TO BS EN 10088.
11. 700 m SPACING IS RECOMMENDED BETWEEN INSERTION CHAMBERS. THE EXACT SPACING BETWEEN THE INSERTION CHAMBERS SHOULD BE DETERMINED ON A CASE-BY-CASE BASIS DEPENDING ON THE FITTINGS ALONG THE ALIGNMENT.



Cad Ref. : WSD015105-A.dwg

MULTI-PURPOSE INSPECTION
TEE CHAMBER –
GENERAL ARRANGEMENT



水務署
Water Supplies Department

APPROVED

W.L. LEUNG
AD/NW

DATE

15/2/12

SCALE

1 : 5

DRAWING NO.

WSD 1.51A
(SHEET 5 OF 5)

CSWP