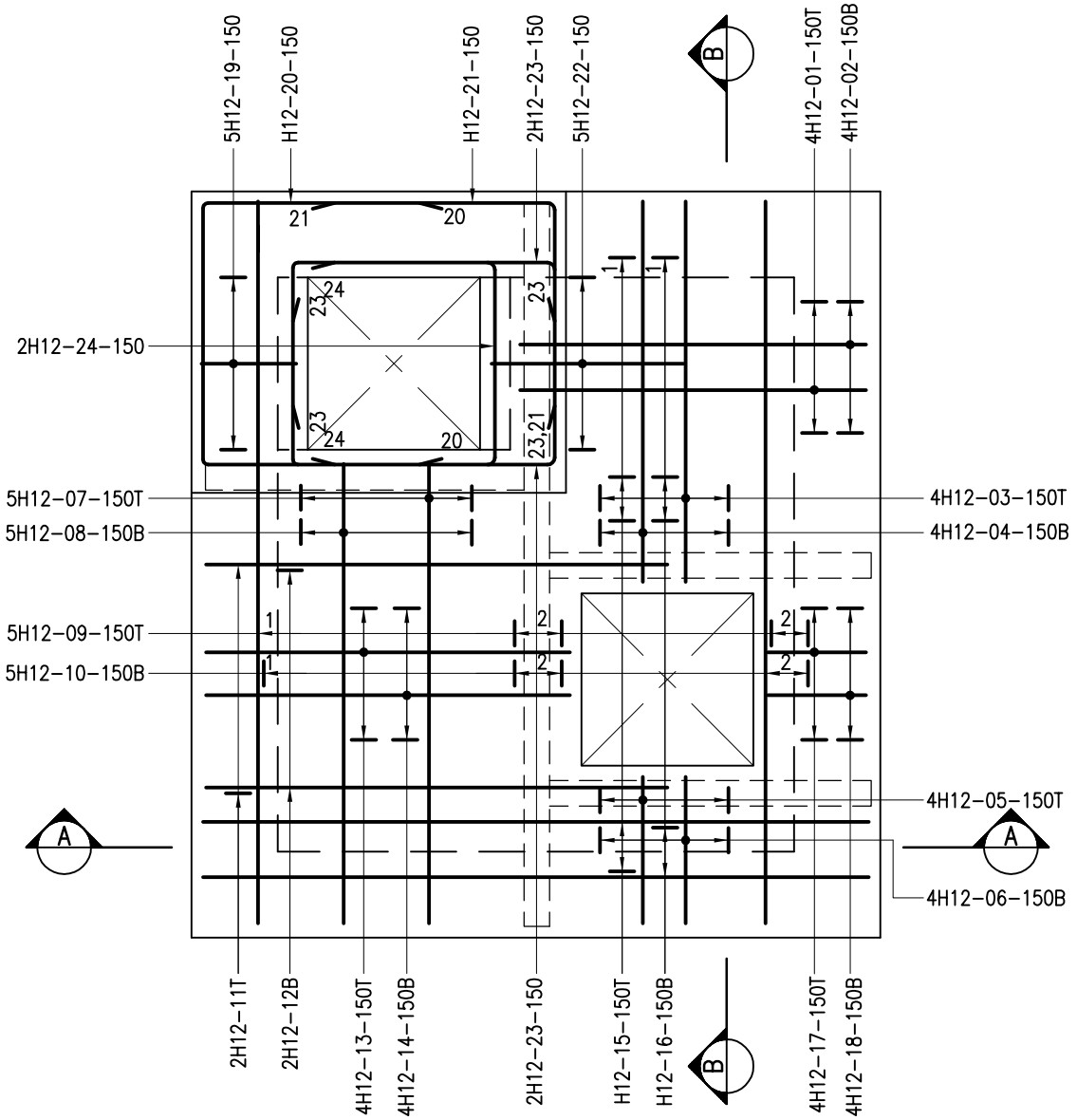


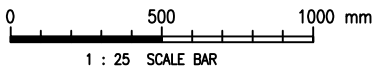
Cad Ref. : WSD015001-A.dwg



PLAN

NOTES :

1. ALL DIMENSIONS ARE IN MILLIMETRES.
2. ALL REINFORCED CONCRETE SHALL BE GRADE 35/20D. BLINDING CONCRETE SHALL BE GRADE 20/20D.
3. NOMINAL COVER TO REINFORCEMENT SHALL BE 40mm UNLESS OTHERWISE SPECIFIED.
4. FOR DESCRIPTION OF REINFORCEMENT REFER TO DRAWING NO. WSD 7.1.
5. MINIMUM LAP LENGTH FOR RIBBED STEEL REINFORCING BARS SHALL BE 43 TIMES THE DIAMETER OF THE SMALLER LAPPED BAR UNLESS OTHERWISE SPECIFIED.
6. DETAILS OF PIPE OPENING REINFORCEMENT SHALL BE IN ACCORDANCE WITH DRAWING NO. WSD 1.12.



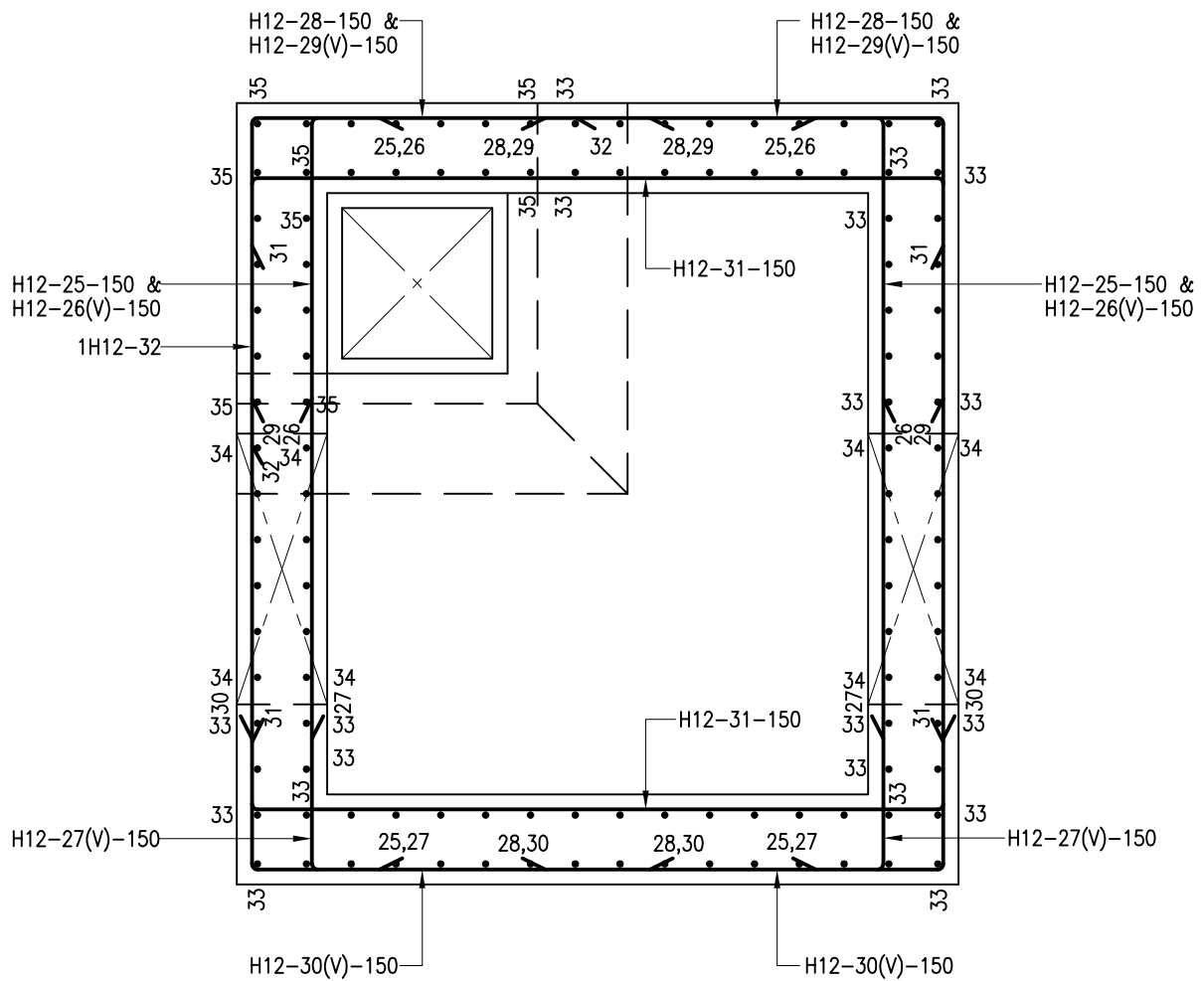
A	GENERAL REVISION	S.K. YEUNG	2/1/15
REF.	REVISION	APPROVED	DATE

MULTI-PURPOSE DOUBLE AIR VALVE / MULTI-PURPOSE INSERTION CHAMBER (CARRIAGEWAY) – R.C. DETAILS

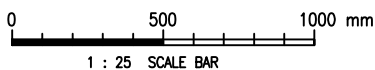


水務署
Water Supplies Department

APPROVED	W.L. LEUNG AD/NW	DRAWING NO.	CSWP
DATE	15/2/12	WSD 1.50A	(SHEET 1 OF 4)
SCALE	1 : 25		



SECTIONAL PLAN



Cad Ref. : WSD015002-A.dwg

MULTI-PURPOSE DOUBLE AIR VALVE / MULTI-PURPOSE INSERTION CHAMBER (CARRIAGEWAY) - R.C. DETAILS



水務署
Water Supplies Department

APPROVED

W.L. LEUNG
AD/NW

DATE

15/2/12

SCALE

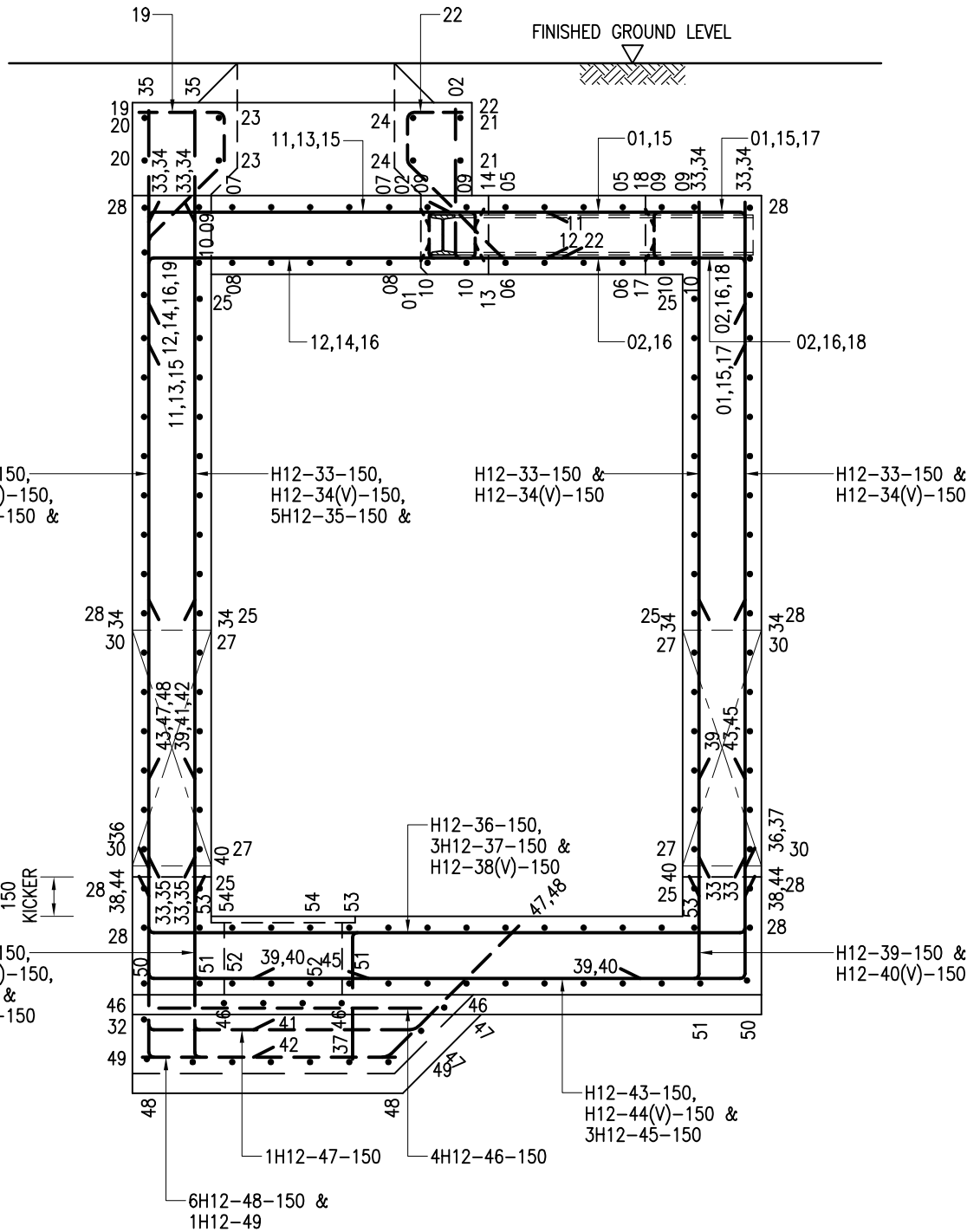
1 : 25

DRAWING NO.

WSD 1.50A

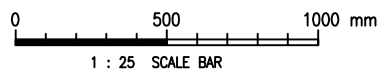
(SHEET 2 OF 4)

CSWP



SECTION A - A

Cad Ref. : WSD015003-A.dwg



MULTI-PURPOSE DOUBLE AIR VALVE / MULTI-PURPOSE INSERTION CHAMBER (CARRIAGEWAY) - R.C. DETAILS



水務署
Water Supplies Department

APPROVED

W.L. LEUNG
AD/NW

DRAWING NO.

CSWP

DATE

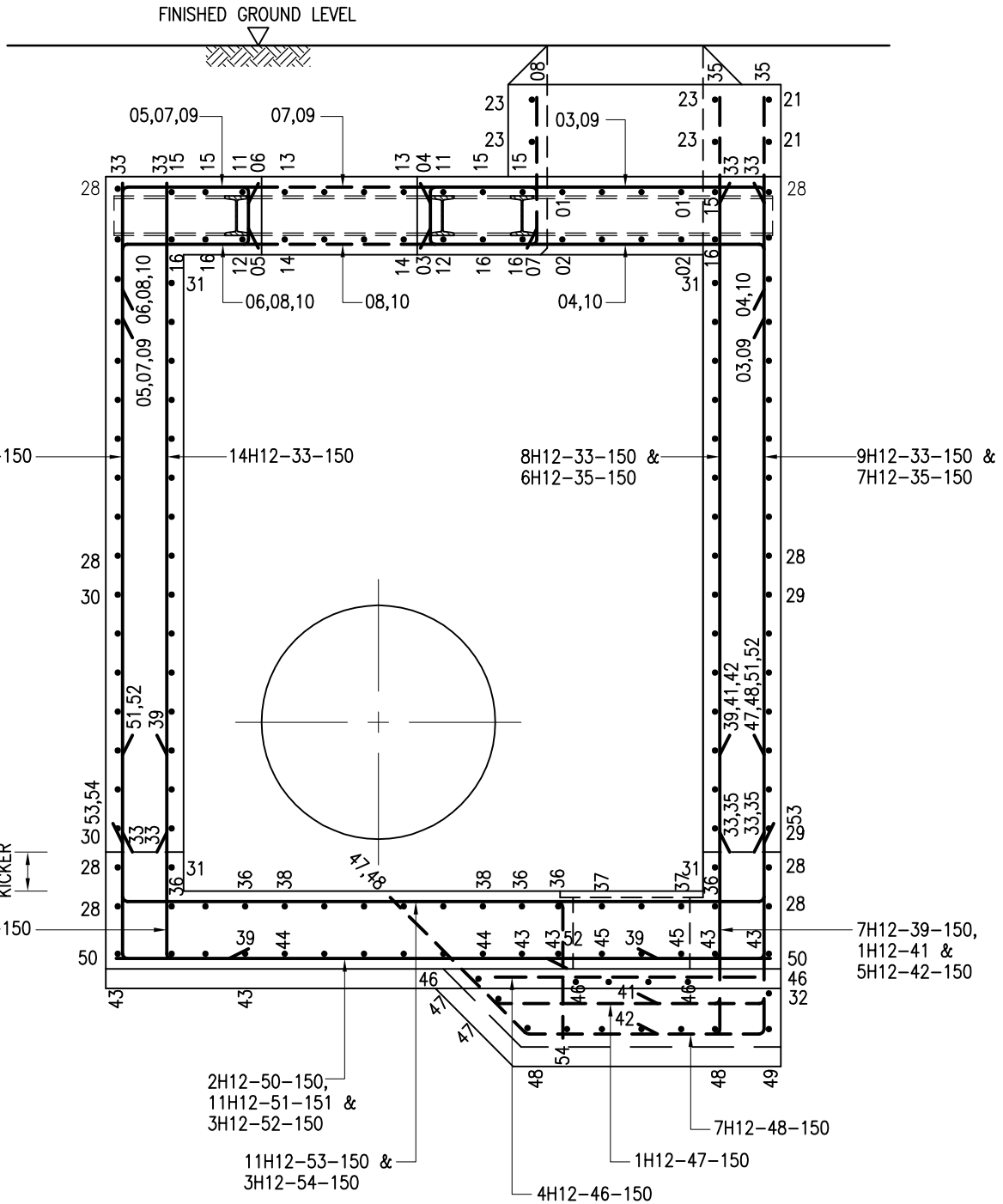
15/2/12

WSD 1.50A

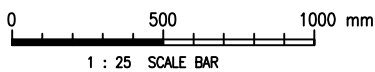
SCALE

1 : 25

(SHEET 3 OF 4)



SECTION B - B



MULTI-PURPOSE DOUBLE AIR VALVE / MULTI-PURPOSE INSERTION CHAMBER (CARRIAGEWAY) - R.C. DETAILS



水務署
Water Supplies Department

APPROVED	W.L. LEUNG AD/NW	DRAWING NO.	CSWP WSD 1.50A (SHEET 4 OF 4)
DATE	15/2/12		
SCALE	1 : 25		